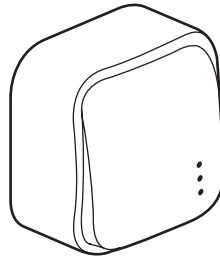


**Forix™ - IP 2X
 Push-buttons**

Cat. No(s): 7 824 05/35



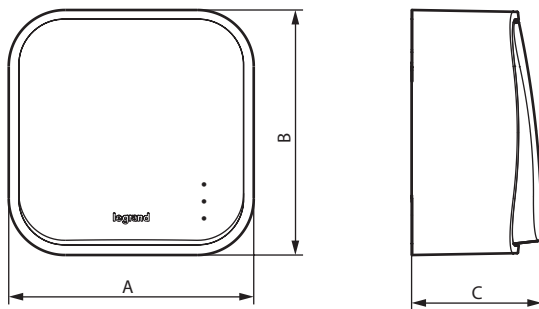
1. USE

General lighting control mechanisms become illuminated with lamp (Cat. No. 7 824 57).

2. RANGE

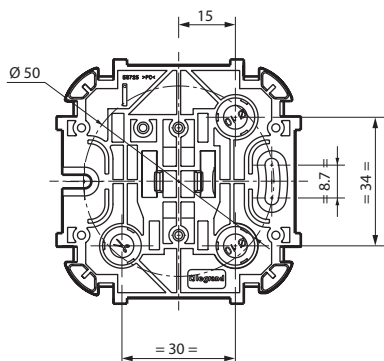
Finishes		Designation
White	Ivory	
7 824 05	7 824 35	One gang push-button

3. OVERALL DIMENSIONS



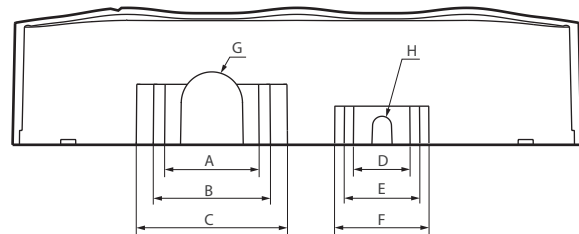
Cat. No.	A	B	C
7 824 05/35	65	65	34.5

Base:



4. CONNECTION

Information for pre-cut:



Cat. No.	Pre-cut sides (mm)			
	A	B	C	D
7 824 05/35	25 x 16	31 x 16	40 x 16	15 x 10
	-	-	-	2
	E	F	G	H
	20 x 10	25 x 10	Ø 16	Ø 5
	2	2	2	2

Stripping: 10 mm
 Terminal type: with screws
 Terminal capacity up to: 2 x 2.5 mm²
 Recommended screwdriver size: pozidrive No 2
 Recommended tightening torque: 0.5 Nm

5. TECHNICAL CHARACTERISTICS

■ **5.1 Mechanical characteristics**

Protection against liquids: IP 21
 Impact tests: IK 04

■ **5.2 Material characteristics**

Base: PC
 Cover: PP
 Rocker: ABS
 Mechanism: PC

■ **5.3 Electrical characteristics**

Voltage: 250 VAC
 Current: 6 A

■ **5.4 Climatic characteristics**

Storage and use temperature: - 25° C to + 60° C

6. CLEANING

Surface cleaning with a cloth.

Do not use: acetone, tar remover, trichloroethylene.

Resistance to the following agents: Hexane (EN 60669-1), Methylated spirits, Soapy water, Diluted ammonia, Diluted pure bleached 10%, Glass cleaning substance, Pre-impregnated wipes.

Caution: A preliminary test should be carried out if other specific cleaning products are to be used.

7. ACCESSORIES

Lamp

Become illuminated with lamp Cat. No 7 824 57