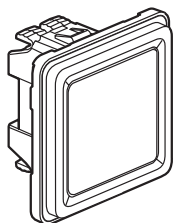
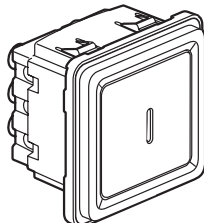


Soliroc™
IK 10 high resistance
10 AX controls - 6 A push-buttons

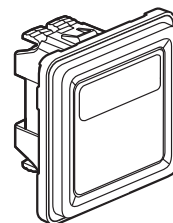
Cat. No(s): 0 778 11/12/13/14/21/22/41/42/43/44



0 778 11/21/41



0 778 12/14/44



0 778 13/43

1. USE

Soliroc switches and push-buttons are lighting control mechanisms which can house locator devices (lamps, etc.) if needed. The new Soliroc™ IK10 programme guarantees robust impact resistance in environments that are hazardous or unsupervised, whether indoors or outdoors (warehouses, public buildings, motorway services, offices, shops, schools, prisons, etc.).

The 5 commitments of the SOLIROC range:

Security: The IK10 rating (20 joule impact force) guarantees optimal resistance and protection against vandalism. It is impossible to tear off a SOLIROC switch due to the use of four zamak sealing plugs on the plate (removable only by drilling).

Reliability: The IP55 rating guarantees a long useful lifetime whether indoors or outdoors. All external parts are made of zamak for optimal robustness.

Practicality: The plate is deliberately thin, thereby limiting the amount of possible grip and reducing the risk of attempted tear-off. There is minimal space between parts, guaranteed by the IP5X rating (impenetrable by solid bodies greater than 1 mm in diameter and protected against dust).

Installation: Depends on the nature of the building. We recommend using 50 mm-deep multi-material or concrete BATIBOX mounting boxes (40 mm accepted).

To guarantee the best tear-off resistance:

- Attach the SOLIROC plates using 4 standard screws (4 mm diameter, 40 mm length).
- Select wall plugs according to the nature of the walls. For concrete walls, we recommend expanding nylon wall plugs (6 mm diameter, useful length 40 mm).

Quality control: factory inspection according to ISO 9001/9002 procedures.

2. RANGE

10 AX TWO-WAY SWITCHES

Two-way switch	0 778 11
Intermediate switch	0 778 21
Illuminated two-way switch with indicator light supplied with lamp Cat. No 0 676 86	0 778 12
Two-way switch with indicator light supplied with lamp Cat. No 0 676 88	0 778 14
Two-way switch marking space	0 778 13

2. RANGE (continued)

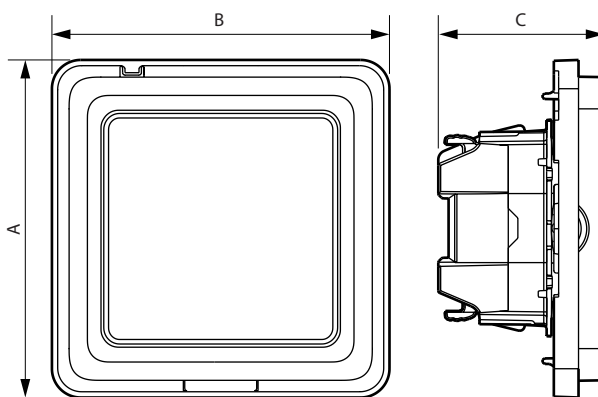
10 AX DOUBLE POLE SWITCH

Double pole switch	0 778 22
--------------------	----------

6 A PUSH-BUTTONS

Two-way push-button NO-NC contact	0 778 41
Illuminated two-way push-button NO-NC contact supplied with lamp Cat. No 0 676 86	0 778 42
Two-way push-button with marking space NO-NC contact	0 778 43
Two-way push-button with indicator light NO free contact, supplied with lamp Cat. No 0 676 88	0 778 44

3. DIMENSIONS (mm)



	A	B	C	D
0 778 11/12/13/14 0 778 41/42/43/44	70.5	70.5	35	13
0 778 21	70.5	70.5	47	13
0 778 22	70.5	70.5	44	13

Soliroc™
IK 10 high resistance
10 AX controls - 6 A push-buttons

Cat. No(s): 0 778 11/12/13/14/21/22/41/42/43/44

4. CONNECTION

Automatic terminals
 Terminal capacity: 2 x 2.5 mm²
 Stripping length: 13 mm

5. TECHNICAL CHARACTERISTICS

■ **5.1 Mechanical characteristics**

Impact resistance: IK 10
 Penetration against solid/bodies and liquids: IP 55

■ **5.2 Material characteristics**

Mechanism: PC grey
 Rocker: Zamak
 Sub-plate: PC
 Surface treatment: copper plating + acid copper plating + matt nickel plating + chrome plating approx 0.1 mm in thickness.
 Colour: mat chrome grey
 SEBS sealing membrane
 Self-extinguishing:
 850°C/30 s for insulating components holding live parts in place.
 650°C/30 s for other insulating components.

■ **5.3 Electrical characteristics**

Voltage: 250 V~
 Current: 10 AX for Cat. No. 0 778 11/12/13/14/21/22
 6 A for Cat. No. 0 778 41/42/43/44
 Max. power for self-ballasted lamps: 100 W for 10 AX
 Frequency: 50/60 Hz

■ **5.4 Climate characteristics**

Storage temperature: -10°C to +70°C
 Usage temperature: -5°C to +40°C

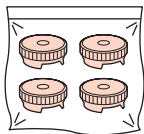
6. CLEANING

Bound to cleaning agents without damage agents as: hexane, alcohol burning, agent for the window, washing diluted bleach 10%, graffiti remover, acetone, white spirit, gasoline F.

Caution: Always test before using other special cleaning products.

7. ACCESSORIES

SEALING PLUG



Removable only by drilling
 Bag of 4

0 778 96

FOAM SEALS

to correct wall irregularity



For plate 1 gang

0 778 85



For plate 2 gang

0 778 86



For plate 3 gang

0 778 87

8. STANDARDS AND APPROVALS

Compliant with installation and manufacturing standards.
 See e.catalogue.