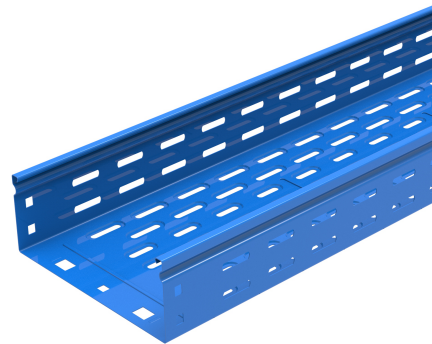


P31 - CABLE TRAYS H75 PERF.

Reference(s): S3075../100../150../200../300../400../500../600..(Z)
F3075../100../150../200../300../400../500../600..(Z,C,G,X,L)

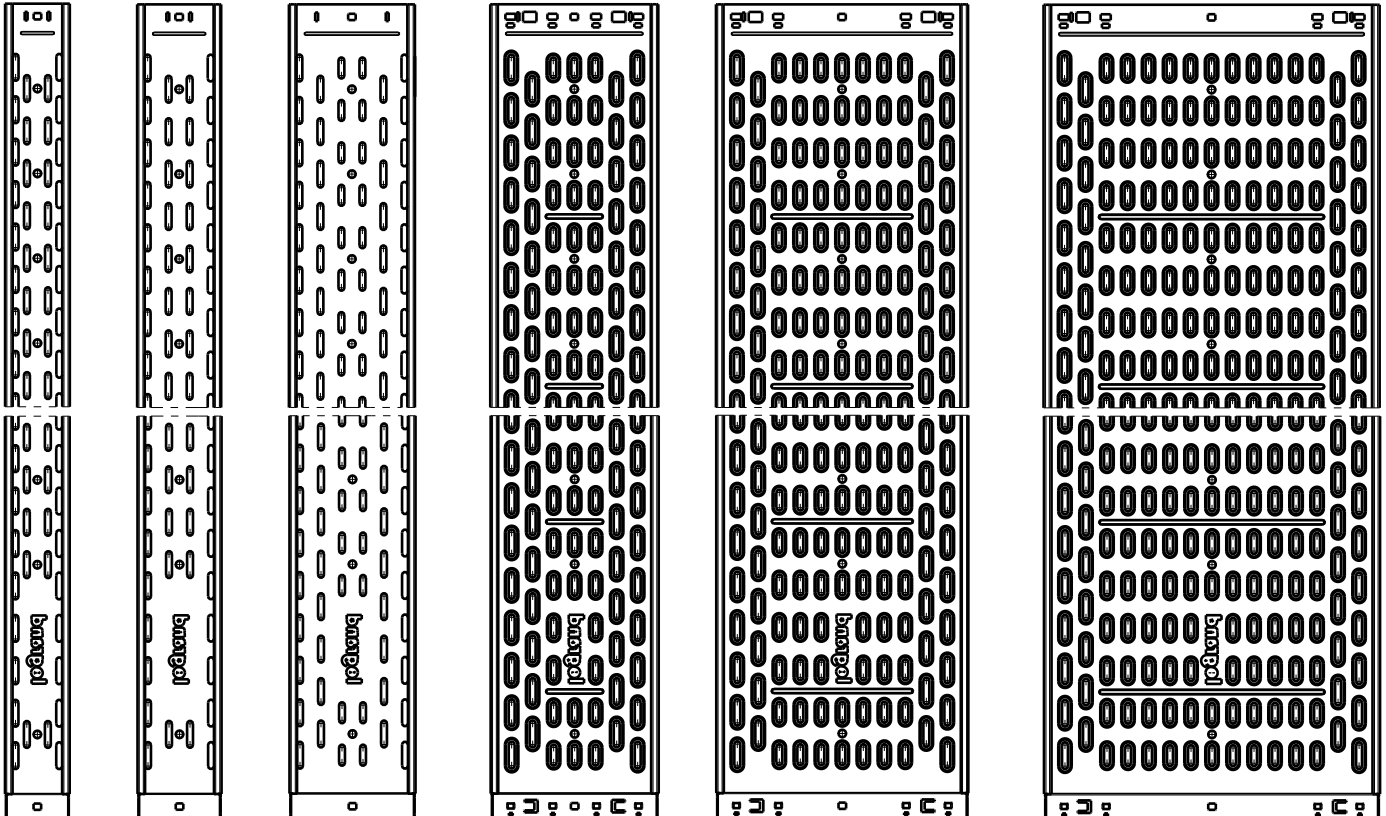


1. USE

Perforated cable trays H75 male female automatic and male female to screw.

2. RANGE (PG, BLUE, HDG)

<->	<->	<->	<->	<->	<->
75	100	150	200	300/400	500/600
Flat	Flat	Flat	Embossing	Embossing	Embossing



■ **2.1 Perforated cable trays male female automatic PG 3000mm + 30mm (118.11" + 1.18").**

Description	Code	Width		Weight		Thickness		Coating	Section	
		(mm)	(inch)	(Kg)	(lb)	(mm)	(inch)		(mm ²)	(inch ²)
P31-TRAY PERF FLAT 3M M/F 75X75 AUT PG	S3075Z	77	3,03	3,23	7,12	0,6	0,024	PG	5745	8,90
P31-TRAY PERF FLAT 3M M/F 75X100 AUT PG	S3100Z	100	3,94	3,57	7,87	0,6	0,024	PG	7489	11,61
P31-TRAY PERF FLAT 3M M/F 75X150 AUT PG	S3150Z	150	5,91	4,18	9,22	0,6	0,024	PG	11279	17,48
P31-TRAY PERF EMB 3M M/F 75X200 AUT PG	S3200Z	200	7,87	6,14	13,54	0,75	0,030	PG	15014	23,27
P31-TRAY PERF EMB 3M M/F 75X300 AUT PG	S3300Z	300	11,81	9,31	20,53	0,9	0,035	PG	22424	34,76
P31-TRAY PERF EMB 3M M/F 75X400 AUT PG	S3400Z	400	15,75	11,26	24,83	0,9	0,035	PG	29944	46,41
P31-TRAY PERF EMB 3M M/F 75X500 AUT PG	S3500Z	500	19,69	13,19	29,08	0,9	0,035	PG	37464	58,07
P31-TRAY PERF EMB 3M M/F 75X600 AUT PG	S3600Z	600	23,62	15,14	33,38	0,9	0,035	PG	44984	69,73

■ **2.2 Perforated cable trays male female to screw PG 3000mm + 30mm (118.11" + 1.18").**

Description	Code	Width		Weight		Thickness		Coating	Section	
		(mm)	(inch)	(Kg)	(lb)	(mm)	(inch)		(mm ²)	(inch ²)
P31-TRAY PERF FLAT 3M M/F 75X75 PG	F3075Z	77	3,03	3,23	7,12	0,6	0,02	PG	5745	8,90
P31-TRAY PERF FLAT 3M M/F 75X100 PG	F3100Z	100	3,94	3,57	7,87	0,6	0,02	PG	7489	11,61
P31-TRAY PERF FLAT 3M M/F 75X150 PG	F3150Z	150	5,91	4,18	9,22	0,6	0,02	PG	11279	17,48
P31-TRAY PERF EMB 3M M/F 75X200 PG	F3200Z	200	7,87	6,14	13,54	0,75	0,03	PG	15014	23,27
P31-TRAY PERF EMB 3M M/F 75X300 PG	F3300Z	300	11,81	9,31	20,53	0,9	0,04	PG	22424	34,76
P31-TRAY PERF EMB 3M M/F 75X400 PG	F3400Z	400	15,75	11,26	24,83	0,9	0,04	PG	29944	46,41
P31-TRAY PERF EMB 3M M/F 75X500 PG	F3500Z	500	19,69	13,19	29,08	0,9	0,04	PG	37464	58,07
P31-TRAY PERF EMB 3M M/F 75X600 PG	F3600Z	600	23,62	15,14	33,38	0,9	0,04	PG	44984	69,73

■ **2.3 Perforated cable trays male female to screw BLUE 3000mm + 30mm (118.11" + 1.18").**

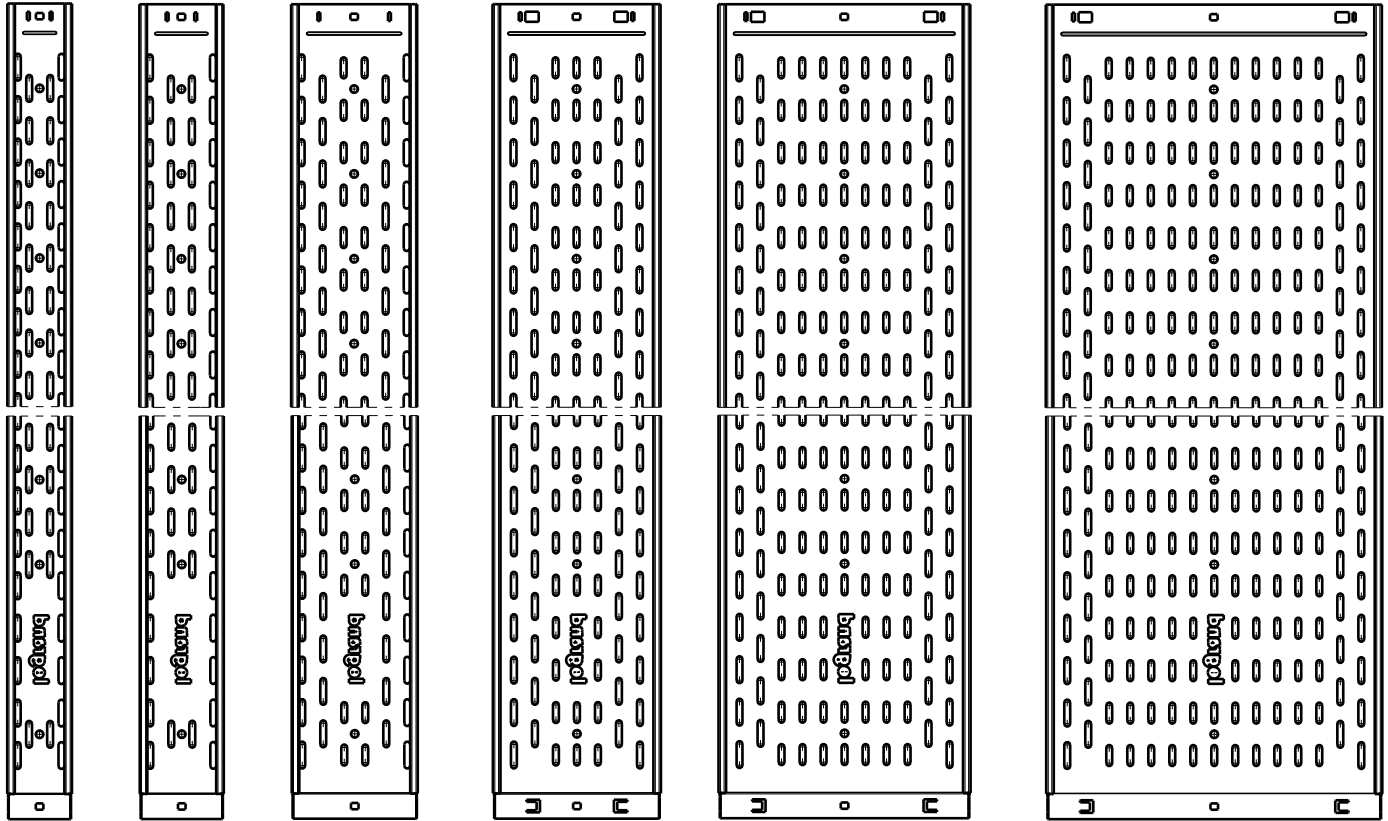
Description	Code	Width		Weight		Thickness		Coating	Section	
		(mm)	(inch)	(Kg)	(lb)	(mm)	(inch)		(mm ²)	(inch ²)
P31-TRAY PERF FLAT 3M M/F 75X75 BLUE	F3075G	77	3,03	3,23	7,12	0,6	0,02	BLUE	5745	8,90
P31-TRAY PERF FLAT 3M M/F 75X100 BLUE	F3100G	100	3,94	3,57	7,87	0,6	0,02	BLUE	7489	11,61
P31-TRAY PERF FLAT 3M M/F 75X150 BLUE	F3150G	150	5,91	4,18	9,22	0,6	0,02	BLUE	11279	17,48
P31-TRAY PERF EMB 3M M/F 75X200 BLUE	F3200G	200	7,87	6,14	13,54	0,75	0,03	BLUE	15014	23,27
P31-TRAY PERF EMB 3M M/F 75X300 BLUE	F3300G	300	11,81	9,31	20,53	0,9	0,04	BLUE	22424	34,76
P31-TRAY PERF EMB 3M M/F 75X400 BLUE	F3400G	400	15,75	11,26	24,83	0,9	0,04	BLUE	29944	46,41
P31-TRAY PERF EMB 3M M/F 75X500 BLUE	F3500G	500	19,69	13,19	29,08	0,9	0,04	BLUE	37464	58,07
P31-TRAY PERF EMB 3M M/F 75X600 BLUE	F3600G	600	23,62	15,14	33,38	0,9	0,04	BLUE	44984	69,73

■ **2.4 Perforated cable trays male female to screw HDG 3000mm + 30mm (118.11" + 1.18").**

Description	Code	Width		Weight		Thickness		Coating	Section	
		(mm)	(inch)	(Kg)	(lb)	(mm)	(inch)		(mm ²)	(inch ²)
P31-TRAY PERF FLAT 3M M/F 75X75 HDG	F3075C	77	3,03	3,55	7,83	0,6	0,02	HDG	5745	8,90
P31-TRAY PERF FLAT 3M M/F 75X100 HDG	F3100C	100	3,94	3,93	8,66	0,6	0,02	HDG	7489	11,61
P31-TRAY PERF FLAT 3M M/F 75X150 HDG	F3150C	150	5,91	4,60	10,14	0,6	0,02	HDG	11279	17,48
P31-TRAY PERF EMB 3M M/F 75X200 HDG	F3200C	200	7,87	6,75	14,89	0,75	0,03	HDG	15014	23,27
P31-TRAY PERF EMB 3M M/F 75X300 HDG	F3300C	300	11,81	10,24	22,58	0,9	0,04	HDG	22424	34,76
P31-TRAY PERF EMB 3M M/F 75X400 HDG	F3400C	400	15,75	12,39	27,31	0,9	0,04	HDG	29944	46,41
P31-TRAY PERF EMB 3M M/F 75X500 HDG	F3500C	500	19,69	14,51	31,99	0,9	0,04	HDG	37464	58,07
P31-TRAY PERF EMB 3M M/F 75X600 HDG	F3600C	600	23,62	16,65	36,72	0,9	0,04	HDG	44984	69,73

3. RANGE (SS304, SS316L)

<-> <-> <-> <-> <-> <->
 75 100 150 200 300/400 500/600
 Flat Flat Flat Flat Flat Flat



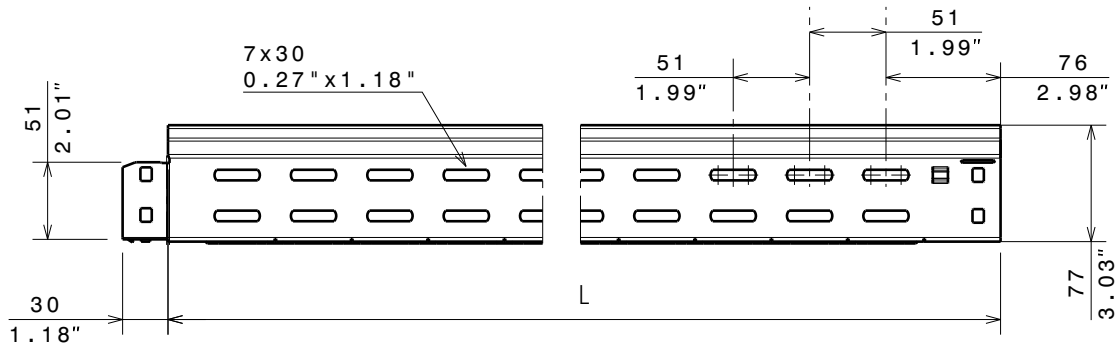
■ **3.1 Perforated cable trays male female to screw SS304 3000mm + 30mm (118.11" + 1.18")**

Description	Code	Width		Weight		Thickness		Coating	Section	
		(mm)	(inch)	(Kg)	(lb)	(mm)	(inch)		(mm ²)	(inch ²)
P31-TRAY PERF FLAT 3M M/F 75X75 304	F3075X	77	3,03	3,23	7,12	0,6	0,02	SS304	5745	8,90
P31-TRAY PERF FLAT 3M M/F 75X100 304	F3100X	100	3,94	3,57	7,87	0,6	0,02	SS304	7489	11,61
P31-TRAY PERF FLAT 3M M/F 75X150 304	F3150X	150	5,91	4,18	9,22	0,6	0,02	SS304	11279	17,48
P31-TRAY PERF FLAT 3M M/F 75X200 304	F3200X	200	7,87	6,50	14,33	0,8	0,03	SS304	15014	23,27
P31-TRAY PERF FLAT 3M M/F 75X300 304	F3300X	300	11,81	9,31	20,53	0,9	0,04	SS304	22424	34,76
P31-TRAY PERF FLAT 3M M/F 75X400 304	F3400X	400	15,75	11,26	24,83	0,9	0,04	SS304	29944	46,41
P31-TRAY PERF FLAT 3M M/F 75X500 304	F3500X	500	19,69	13,19	29,08	0,9	0,04	SS304	37464	58,07
P31-TRAY PERF FLAT 3M M/F 75X600 304	F3600X	600	23,62	15,14	33,38	0,9	0,04	SS304	44984	69,73

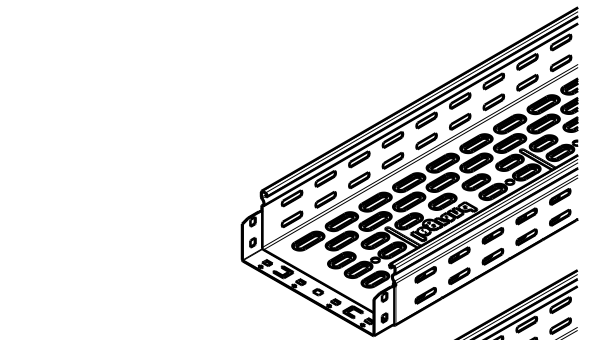
■ **3.2 Perforated cable trays male female to screw SS316L 3000mm + 30mm (118.11" + 1.18")**

Description	Code	Width		Weight		Thickness		Coating	Section	
		(mm)	(inch)	(Kg)	(lb)	(mm)	(inch)		(mm ²)	(inch ²)
P31-TRAY PERF FLAT 3M M/F 75X75 316L	F3075L	77	3,03	3,23	7,12	0,6	0,02	SS316L	5745	8,90
P31-TRAY PERF FLAT 3M M/F 75X100 316L	F3100L	100	3,94	3,57	7,87	0,6	0,02	SS316L	7489	11,61
P31-TRAY PERF FLAT 3M M/F 75X150 316L	F3150L	150	5,91	4,18	9,22	0,6	0,02	SS316L	11279	17,48
P31-TRAY PERF FLAT 3M M/F 75X200 316L	F3200L	200	7,87	6,50	14,33	0,8	0,03	SS316L	15014	23,27
P31-TRAY PERF FLAT 3M M/F 75X300 316L	F3300L	300	11,81	9,31	20,53	0,9	0,04	SS316L	22424	34,76
P31-TRAY PERF FLAT 3M M/F 75X400 316L	F3400L	400	15,75	11,26	24,83	0,9	0,04	SS316L	29944	46,41
P31-TRAY PERF FLAT 3M M/F 75X500 316L	F3500L	500	19,69	13,19	29,08	0,9	0,04	SS316L	37464	58,07
P31-TRAY PERF FLAT 3M M/F 75X600 316L	F3600L	600	23,62	15,14	33,38	0,9	0,04	SS316L	44984	69,73

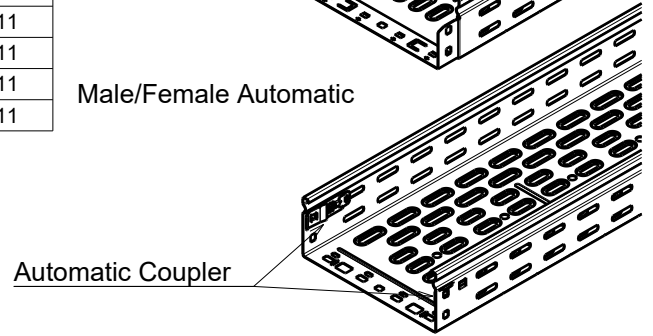
4. DIMENSIONS (mm/inch)



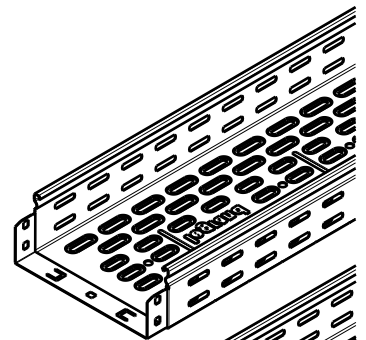
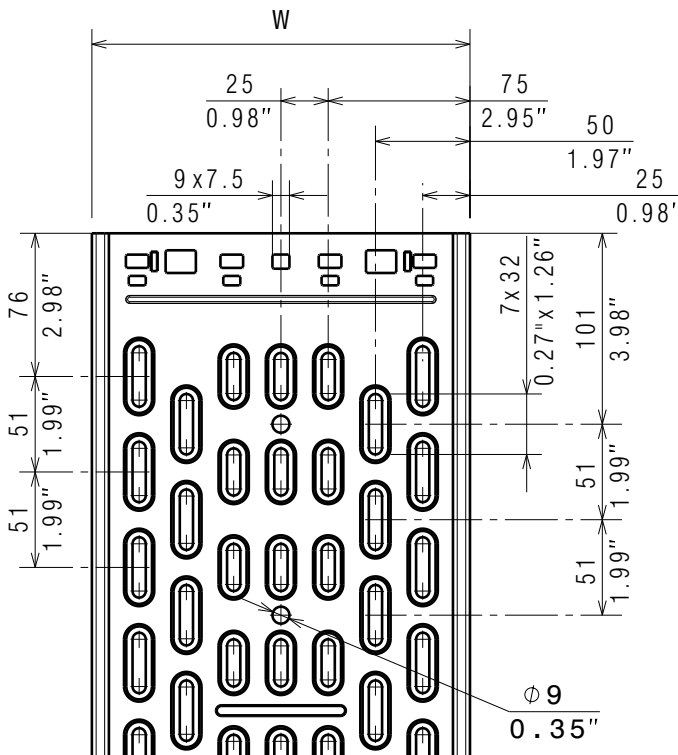
Description	Width (W)		Length (L)	
	(mm)	(inch)	(mm)	(inch)
P31-TRAY PERFORATED 75X75	77	3,03	3000	118,11
P31-TRAY PERFORATED 75X100	100	3,94	3000	118,11
P31-TRAY PERFORATED 75X150	150	5,91	3000	118,11
P31-TRAY PERFORATED 75X200	200	7,87	3000	118,11
P31-TRAY PERFORATED 75X300	300	11,81	3000	118,11
P31-TRAY PERFORATED 75X400	400	15,75	3000	118,11
P31-TRAY PERFORATED 75X500	500	19,69	3000	118,11
P31-TRAY PERFORATED 75X600	600	23,62	3000	118,11



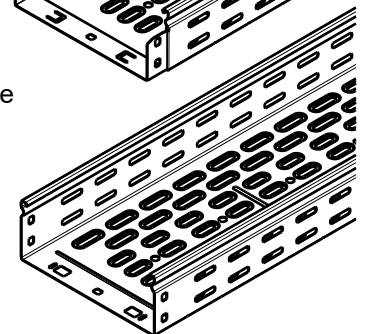
Male/Female Automatic



Automatic Coupler



Male/Female



5. INSTALLATION

■ **5.1 Screw**

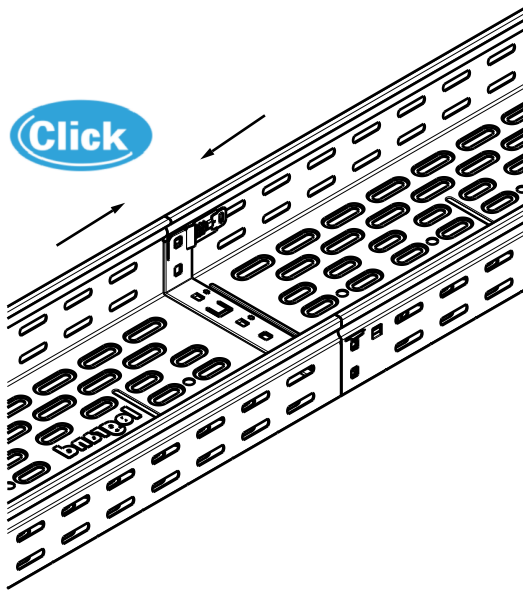
Use screws M6x12 tightened at 11Nm

Reference(s): 341895/ 03V1M610Z (PG)
 485035 (Zn-Ni)
 346895/ 03V1M610L (SS316L)

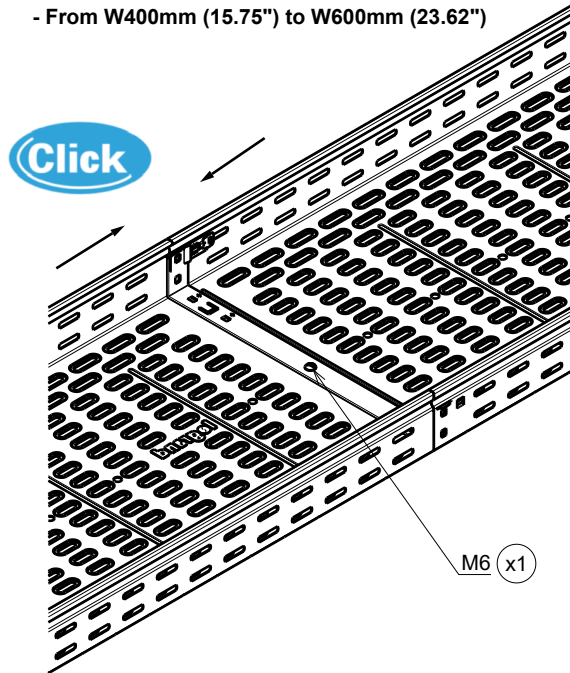
■ **5.2 Male/Female Automatic**

The automatic junction system does not need any screws up to and including width 300mm (11.81").
 Put an extra screw M6x12 in the middle from width 400mm (15.75") to 600mm (23.62").

- From W77mm (3.03") to W300mm (11.81")



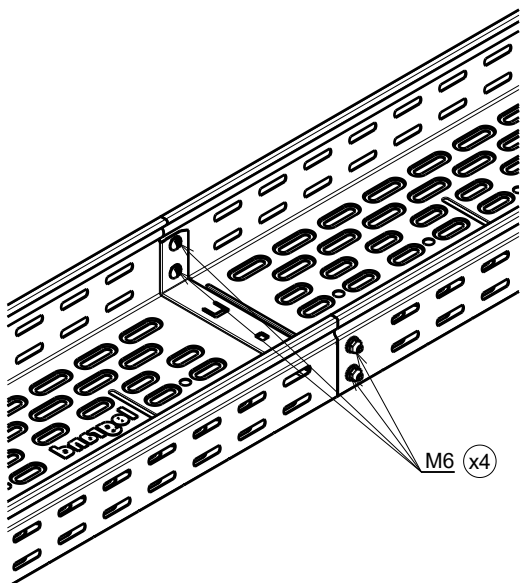
- From W400mm (15.75") to W600mm (23.62")



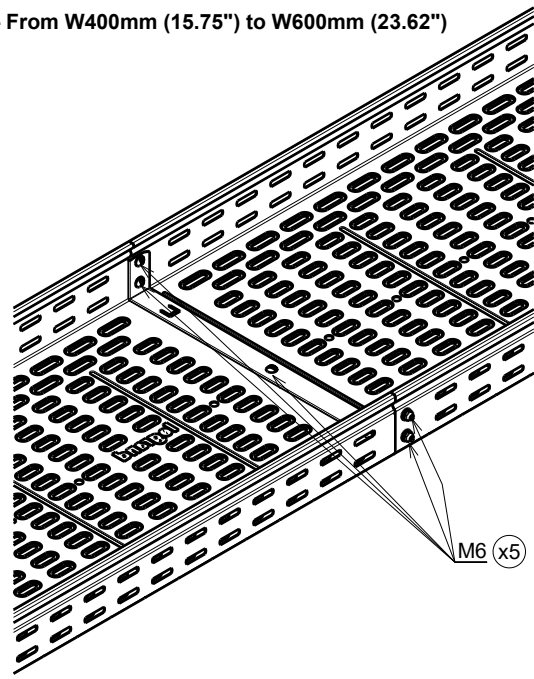
■ **5.3 Male/Female**

Male/Female is assembled using 4 screws M6x12 on the side.
 Put an extra screw M6x12 in the middle from width 400mm (15.75") to 600mm (23.62").

- From W77mm (3.03") to W300mm (11.81")



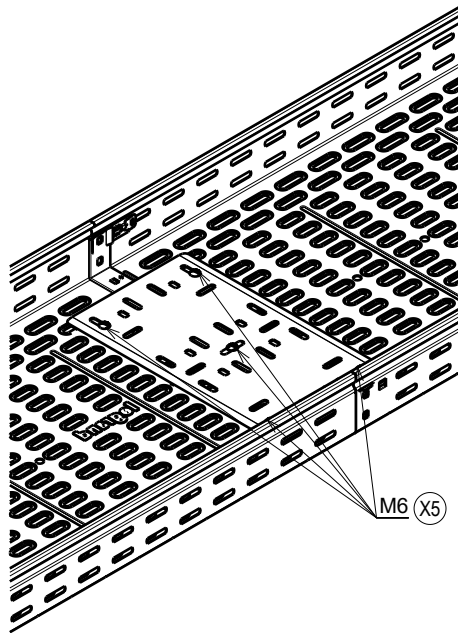
- From W400mm (15.75") to W600mm (23.62")



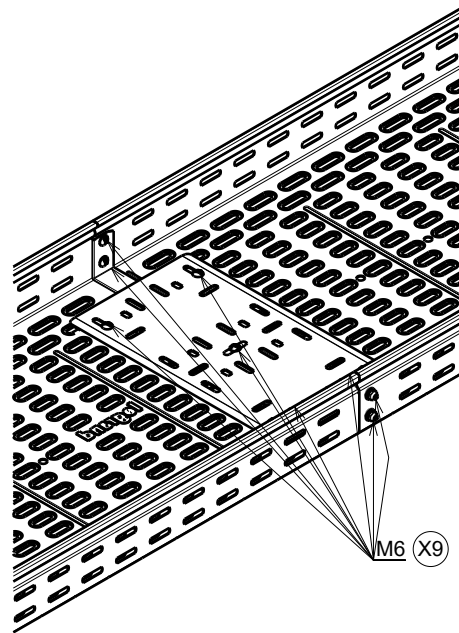
■ **5.4 Mounting bottom plate**

Put an extra bottom plate from width 400mm (15.75") to 600mm (23.62") using 5 additional screws M6x12 to improve the safety working load..

- Male/Female Automatic



- Male/Female



6. TECHNICAL DATA

■ **6.1 Material characteristics**

Material finish	Material	Standard	Resistance class against corrosion
PG	DX51D + Z200	EN 10346	Classe 3 - CEI 61537
BLUE	DX51D + Z200	EN10346	Classe 3 - CEI 61537
HDG	DC 01	EN 10130	Classe 6 - CEI 61537
SS304	X5CrNi18-10	EN 10 088-2	Classe 9A - CEI 61537
SS316L	X2CrNiMo17-12-2	EN 10 088-2	Classe 9B - CEI 61537

■ **6.2 Climatic characteristics**

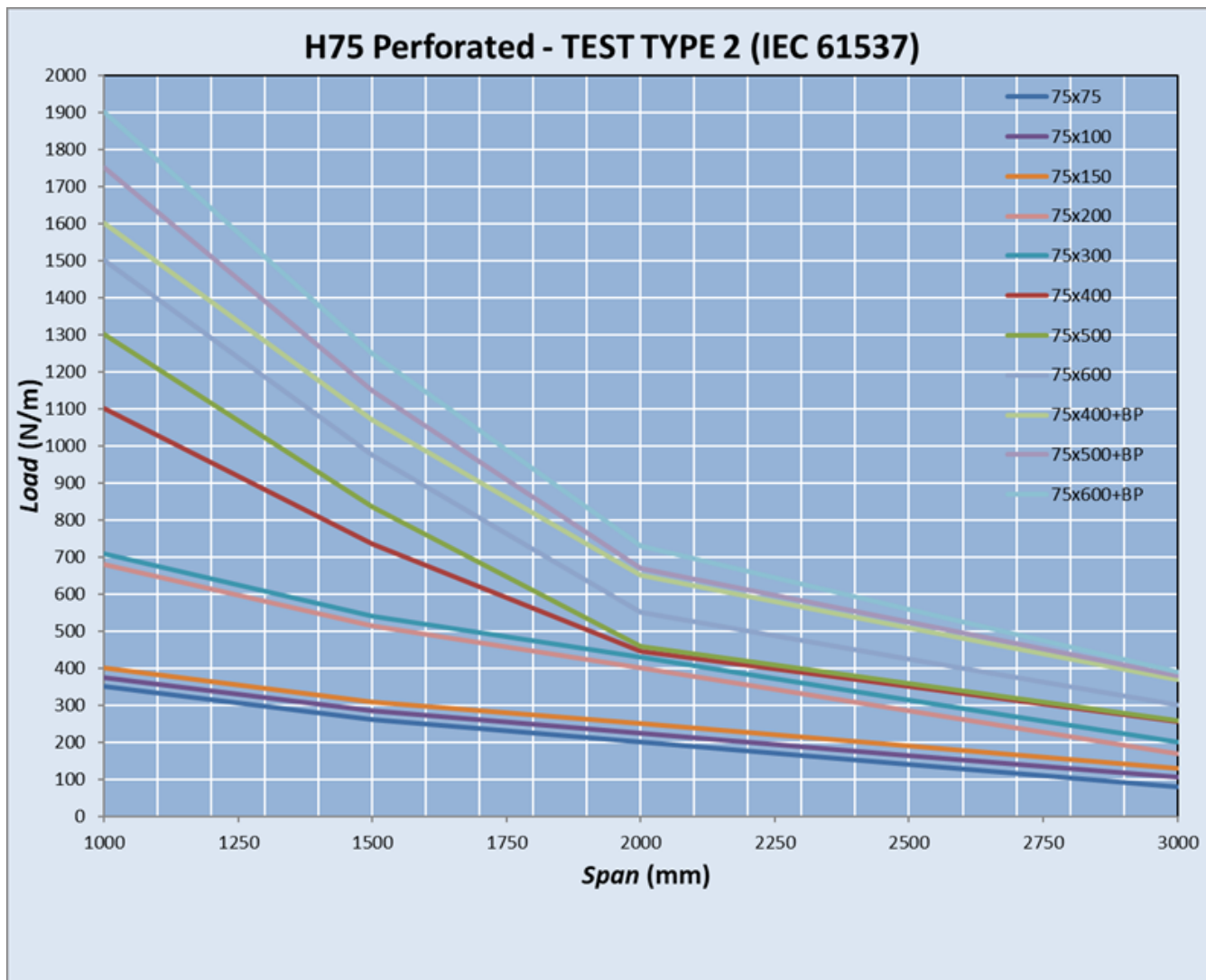
Storage and operating tempeture : - 20° C à + 120° C

7. CONFORMITY - CERTIFICATION

Comply with CEI 61537 Cable tray systems.
 Certification: CE, IMQ

8. LOADING CURVES

■ 8.1 Material finish (PG, BLUE, HDG, Inox)

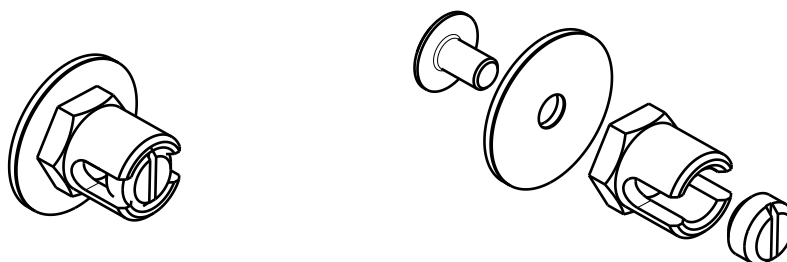


9. ADDITIONAL INFORMATION FOR UL

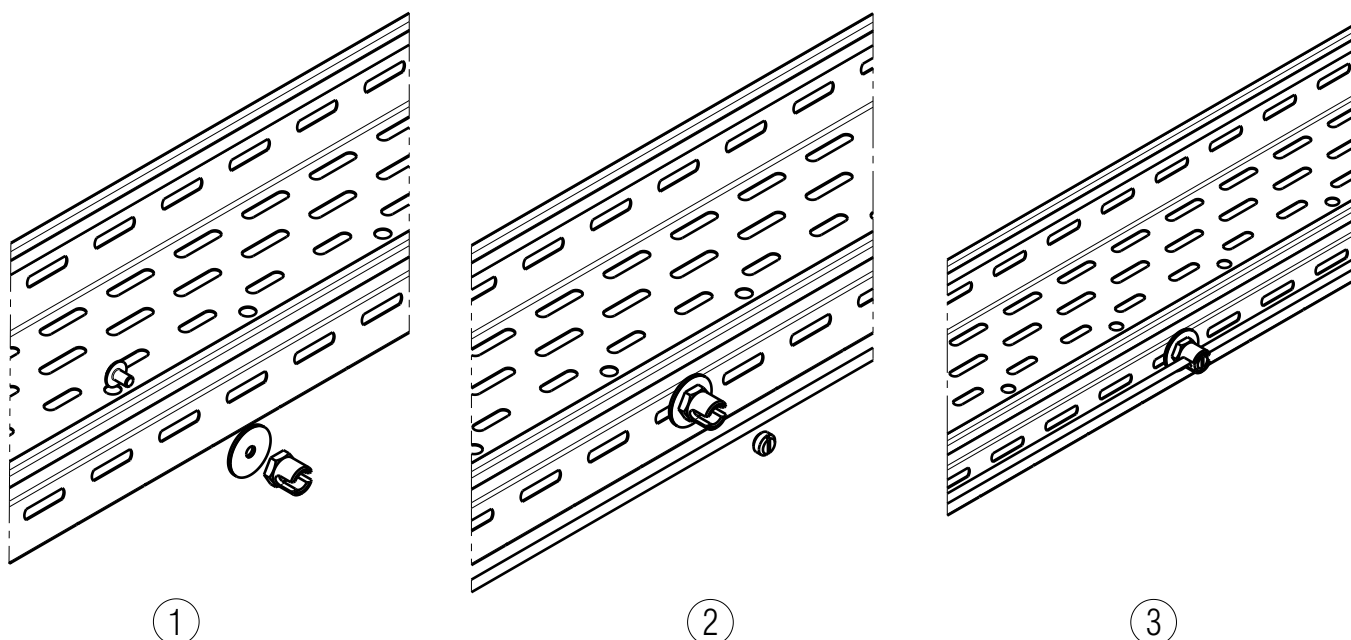
■ **9.1 Brass earth grounding connection (ECG)**

- Requires mandatory usage in USA when the system is used according to NFPA 70®

- Reference(s): 585357
 585367
 585377



Description	Code	Material	Section	
			(mm ²)	(inch ²)
BLT6-16 CU EARTH TERMINAL	585357	BRASS	16	0,025
BLT6-35 CU EARTH TERMINAL	585367		35	0,054
BLT6-50 CU EARTH TERMINAL	585377		50	0,078



Refer to technical sheet FT1036 for further information.