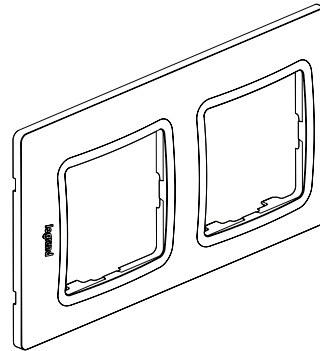


7 620 X1



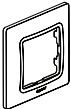
7 620 X2

**1. USE**

Faceplates for Niloé selection from 1 to 5 gangs wiring accessories.  
 Available in several colours.

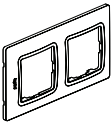
**2. RANGE**

**1-gang plates**

	White Aluminium Anthracite Smoked grey Pearl	7 620 01 7 620 11 7 620 21 7 620 51 7 620 61
---	--	--

**2-gang plates**

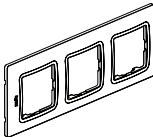
71 mm spacing - horizontal and vertical

	White Aluminium Anthracite Smoked grey Pearl	7 620 02 7 620 12 7 620 22 7 620 52 7 620 62
---	--	--

**2. RANGE (continued)**

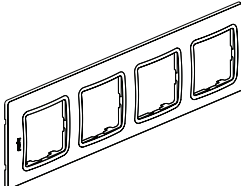
**3-gang plates**

71 mm spacing - horizontal and vertical

	White Aluminium Anthracite Smoked grey Pearl	7 620 03 7 620 13 7 620 23 7 620 53 7 620 63
--	--	--

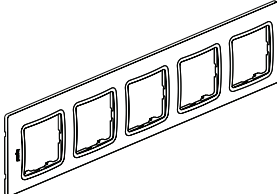
**4-gang plates**

71 mm spacing - horizontal and vertical

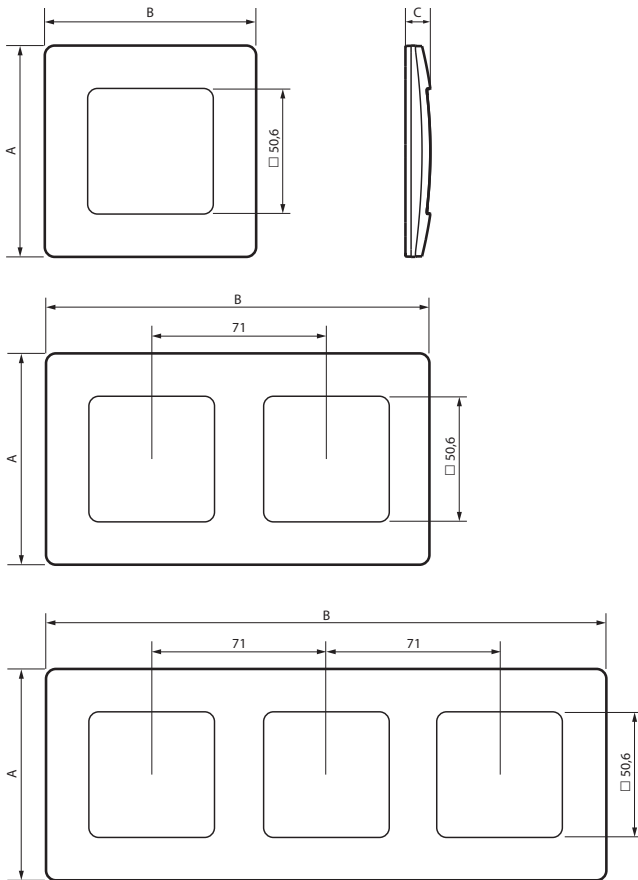
	White Aluminium Anthracite Smoked grey Pearl	7 620 04 7 620 14 7 620 24 7 620 54 7 620 64
--	--	--

**5-gang plates**

71 mm spacing - horizontal and vertical

	White Aluminium Anthracite Smoked grey Pearl	7 620 05 7 620 15 7 620 25 7 620 55 7 620 65
--	--	--

### 3. OVERALL DIMENSIONS (mm)



	A	B	C
1-gang	86	86	10
2-gang 71 mm fixing centres	86	157	10
3-gang 71 mm fixing centres	86	228	10
4-gang 71 mm fixing centres	86	299	10
5-gang 71 mm fixing centres	86	370	10

### 4. TECHNICAL CHARACTERISTICS

#### ■ 4.1 Materials

Glossy surface appearance

Material: - ABS plate

- Halogen-free

- UV resistant

Self-extinguishing:

+ 850°C/30 s for insulating parts holding live parts in place

+ 650°C/30 s for other parts made of insulating materials

#### ■ 4.2 Climatic characteristics

Storage and usage temperature: - 5°C to + 35°C

### 5. CLEANING

Clean the surface with a cloth.

Do not use acetone, tar-removing cleaning agents or trichloroethylene.

**Caution:** An initial test is required for the use of other special maintenance products.