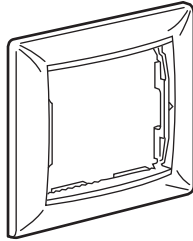
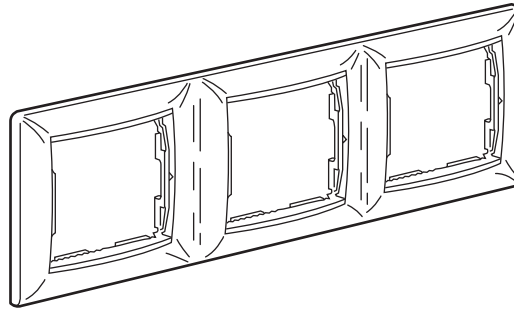


**Valena™**  
**Plates Aluminium finish**

**Cat. No(s): 7 701 51/52/53/54/55/56/57 - 7 703 31/32/33/34/35/36/37**  
**7 703 41/42/43/44/45/46/47/51/52/53/54/55/56/57**  
**7 703 71/72/73/74/75/76/77/91/92/93/94/95/96/97**



7 701 51



7 701 53

**1. USE**

Face plates for Valena : 1 - 2 - 3 - 4 and 5-gang wiring accessories.  
 Available in several colours.  
 Can be transformed in vertical or horizontal plate by rotation of internal trim.

**2. RANGE**

**1-gang plates - Horizontal**

	■ Aluminium	7 701 51
	■ Aluminium Silver	7 703 51
	■ Dark Wood Silver	7 703 71
	■ Black Silver	7 703 91
	■ Brushed Alu	7 703 31
	■ Cubist Alu	7 703 41

**2-gang plates - Horizontal**

	■ Aluminium	7 701 52
	■ Aluminium Silver	7 703 52
	■ Dark Wood Silver	7 703 72
	■ Black Silver	7 703 92
	■ Brushed Alu	7 703 32
	■ Cubist Alu	7 703 42

**2-gang plates - Vertical**

	■ Aluminium	7 701 56
	■ Aluminium Silver	7 703 56
	■ Dark Wood Silver	7 703 76
	■ Black Silver	7 703 96
	■ Brushed Alu	7 703 36
	■ Cubist Alu	7 703 46

**3-gang plates - Horizontal**

	■ Aluminium	7 701 53
	■ Aluminium Silver	7 703 53
	■ Dark Wood Silver	7 703 73
	■ Black Silver	7 703 93
	■ Brushed Alu	7 703 33
	■ Cubist Alu	7 703 43

**3-gang plates - Vertical**

	■ Aluminium	7 701 57
	■ Aluminium Silver	7 703 57
	■ Dark Wood Silver	7 703 77
	■ Black Silver	7 703 97
	■ Brushed Alu	7 703 37
	■ Cubist Alu	7 703 47

**2. RANGE (continued)**

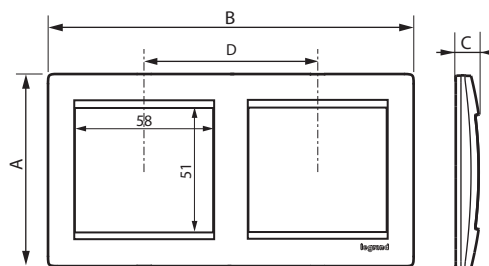
**4-gang plates - Horizontal / Vertical (§ 4.2)**

	■ Aluminium	7 701 54
	■ Aluminium Silver	7 703 54
	■ Dark Wood Silver	7 703 74
	■ Black Silver	7 703 94
	■ Brushed Alu	7 703 34
	■ Cubist Alu	7 703 44

**5-gang plates - Horizontal**

	■ Aluminium	7 701 55
	■ Aluminium Silver	7 703 55
	■ Dark Wood Silver	7 703 75
	■ Black Silver	7 703 95
	■ Brushed Alu	7 703 35
	■ Cubist Alu	7 703 45

**3. OVERALL DIMENSIONS (mm)**

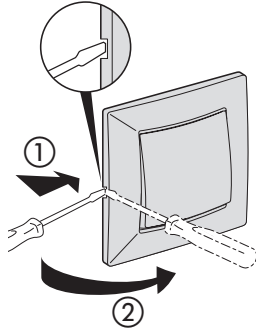


	A	B	C	D
1-gang	86	86	11	-
2-gang	86	157	11	71
3-gang	86	228	11	71
4-gang	86	299	11	71
5-gang	86	370	11	71

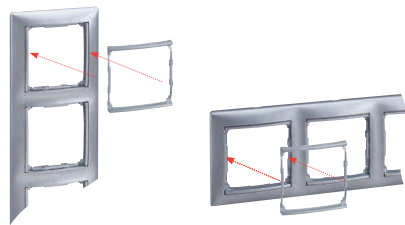
## 4. MOUNTING

### ■ 4.1 Plates

Easy to remove with a screwdriver using the slots on the side of the plate.



### ■ 4.2 Trims



Necessary to reposition the trims in 4 and 5 gang installations.  
If you need to install the plates horizontally it's necessary to remove the trims and reposition them.

## 5. TECHNICAL CHARACTERISTICS

### ■ 5.1 Mechanical characteristics

Impact tests: IK 04

### ■ 5.2 Material characteristics

Material: Polycarbonate  
Aluminium RAL 7040 (closest color), water based paint  
Halogen free  
UV resistant  
Self-extinguishing: 650° C / 30 s

### ■ 5.2 Climatic characteristics

Storage and usage temperature: - 5° C to + 40° C

## 6. CLEANING

Clean the surface with a cloth.  
Do not use acetone, tar-removing cleaning agents or trichloroethylene.

Resistance to the following cleaning substances:

- Hexane (EN 60669-1)
- Methylated spirit
- Soapy water
- Diluted ammonia
- Diluted pure bleach 10%
- Glass cleaning product (Ethanol 1%, Butylglycol 6%)

**Caution:** An initial test is required for the use of other special maintenance products.

## 7. SPECIAL USE

The plates must not be painted.