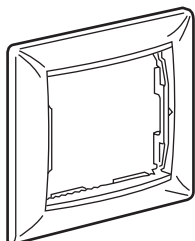
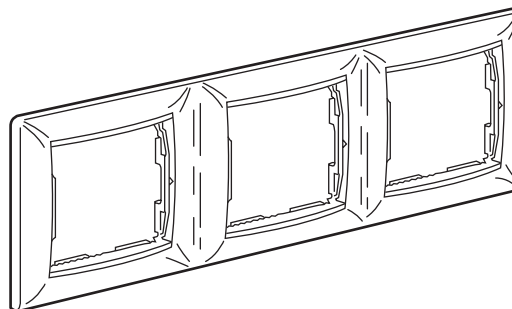


Valena™
Plates Ivory finish

Cat. No(s): 7 700 20 - 7 703 01/02/03/04/05/06/07/11/12/13/14/15/16/17
7 741 51/52/53/54/55/56/57 - 7 743 51/52/53/54/55/56/57



7 743 51



7 743 53

1. USE

Face plates for Valena : 1 - 2 - 3 - 4 and 5-gang wiring accessories.
 Available in several colours.
 Can be transformed in vertical or horizontal plate by rotation of internal trim.

2. RANGE

1-gang plates - Horizontal

	Ivory + Ivory insert	7 743 51
	Ivory Gold + Gold insert	7 741 51
	Matt Gold + Gold insert	7 703 01
	Tanned Wood + Tanned Wood insert	7 703 11
	Baroque Matt Gold + Gold insert	7 700 20

2-gang plates - Horizontal

	Ivory + Ivory insert	7 743 52
	Ivory Gold + Gold insert	7 741 52
	Matt Gold + Gold insert	7 703 02
	Tanned Wood + Tanned Wood insert	7 703 12

2-gang plates - Vertical

	Ivory + Ivory insert	7 743 56
	Ivory Gold + Gold insert	7 741 56
	Matt Gold + Gold insert	7 703 06
	Tanned Wood + Tanned Wood insert	7 703 16

3-gang plates - Horizontal

	Ivory + Ivory insert	7 743 53
	Ivory Gold + Gold insert	7 741 53
	Matt Gold + Gold insert	7 703 03
	Tanned Wood + Tanned Wood insert	7 703 13

3-gang plates - Vertical

	Ivory + Ivory insert	7 743 57
	Ivory Gold + Gold insert	7 741 57
	Matt Gold + Gold insert	7 703 07
	Tanned Wood + Tanned Wood insert	7 703 13

2. RANGE (continued)

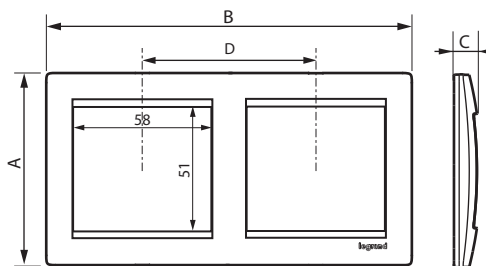
4-gang plates - Horizontal

	Ivory + Ivory insert	7 743 54
	Ivory Gold + Gold insert	7 741 54
	Matt Gold + Gold insert	7 703 04
	Tanned Wood + Tanned Wood insert	7 703 14

5-gang plates - Horizontal

	Ivory + Ivory insert	7 743 55
	Ivory Gold + Gold insert	7 741 55
	Matt Gold + Gold insert	7 703 05
	Tanned Wood + Tanned Wood insert	7 703 15

3. OVERALL DIMENSIONS (mm)



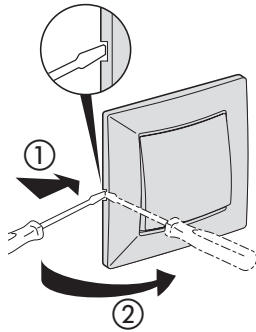
	A	B	C	D
1-gang	82	82	11	-
2-gang	82	153	11	71
3-gang	82	224	11	71
4-gang	82	295	11	71
5-gang	82	366	11	71

4. MOUNTING

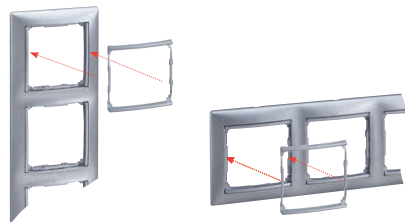
■ 4.1 Plates

The plates are clipped onto the mechanisms for compensate for the thickness (2 mm). (Ex.: wall carpet).

Easy to remove with a screwdriver using the slots on the side of the plate.



■ 4.2 Trims



Necessary to reposition the trims in 4 and 5 gang installations.
If you need to install the plates horizontally it's necessary to remove the trims and reposition them.

5. TECHNICAL CHARACTERISTICS

■ 5.1 Mechanical characteristics

Impact tests: IK 04

■ 5.2 Material characteristics

Material: Polycarbonate

Yvory RAL 1013

Halogen free

UV resistant

Self-extinguishing: 650° C / 30 s

■ 5.2 Climatic characteristics

Storage and usage temperature: - 5° C to + 40° C

6. CLEANING

Clean the surface with a cloth.

Do not use acetone, tar-removing cleaning agents or trichloroethylene.

Resistance to the following cleaning substances:

- Hexane (EN 60669-1)
- Methylated spirit
- Soapy water
- Diluted ammonia
- Diluted pure bleach 10%
- Glass cleaning product (Ethanol 1%, Butylglycol 6%)

Caution: An initial test is required for the use of other special maintenance products.

7. SPECIAL USE

The plates must not be painted.