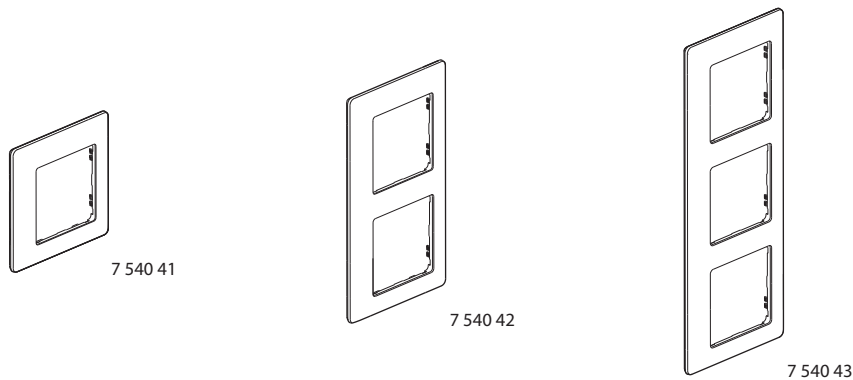


Valena Life™
Finish plates Ivory

Cat. No(s): 7 540 41/42/43/44/45/46 - 7 542 31/32/33



1. USE

Frame plates for fitting on Valena mechanisms.

2. RANGE

PLATES SUPPLIED WITH IVORY UNDER-PLATES

	1-gang	7 540 41
	2-gang	7 540 42
	3-gang	7 540 43
	4-gang	7 540 44
	5-gang	7 540 45
	Expanded plate 5-gang	7 540 46

**SPECIFIC PLATES FOR DOUBLE SOCKET OUTLETS (2 X 2P+E)
 SUPPLIED WITH A IVORY UNDER PLATE**

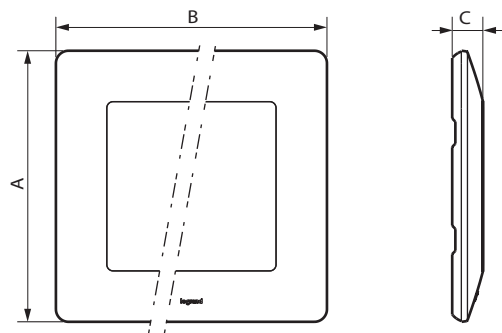
	Plate 1-gang for double socket outlet	7 542 31
--	---------------------------------------	----------

2. RANGE (continued)

**SPECIFIC PLATES FOR DOUBLE SOCKET OUTLETS (2 X 2P+E)
 SUPPLIED WITH A IVORY UNDER PLATE**

	Plate 1-gang for double socket outlet	7 542 32
	Plate 1-gang for double socket outlet	7 542 33

3. OVERALL DIMENSIONS (mm)



Catalogue Numbers	A	B	C
7 540 41	86	86	9.8
7 540 42	86	157	9.8
7 540 43	86	288	9.8
7 540 44	86	299	9.8
7 540 45	86	370	9.8
7 540 46	86	154	9.6
7 542 31	114	86	14
7 542 32	114	157	14
7 542 33	114	228	14

4. MOUNTING

The plates are clipped via notches to supports (the notches are used to compensate for the thickness. Example: wall carpet). Easy to remove with a screwdriver using the slots on the side of the plate.

5. TECHNICAL DATA

■ 5.1 Mechanical characteristics

Impact tests: IK 04

■ 5.2 Material characteristics

Decor plates: ABS

Under-plates: PC

UV resistant

Halogen free

Self-extinguishing: 650° C / 30 s

■ 5.3 Climatical characteristics

Storage temperature: - 10° C to + 70° C

Use temperature: - 5° C to + 50° C

6. CLEANING

Surface cleaning with a cloth.

Do not use: acetone, tar remover, trichloroethylene.

Dish-washer proof.

■ 6.1 Resistance to the following cleaning substances

- Hexane (EN 60669-1),

- Methylated spirit,

- Soapy water,

- Diluted ammonia,

- Diluted pure bleach 10%,

- Glass cleaning product,

- Pre-impregnated wipes.

■ 6.2 Resistance to the following hospital-type cleaning substances

- Anios,

- Surfianos,

- Bactylisine,

- Hydrogen peroxide (oxygenated water 35%).

Caution: A spot test should be carried out before using any other specific cleaners.

7. SPECIAL USE

The plates must not be painted.