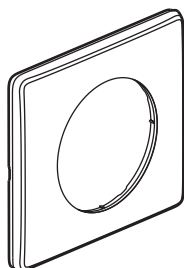
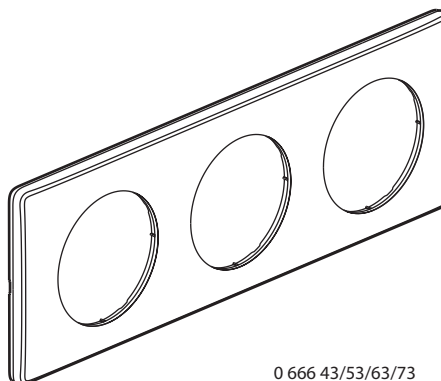


Céliane™ Finishing plates Memories

Cat. No(s): 0 666 40/41/42/43/44/47/48/51/52/53/54/58/59
 0 666 61/62/63/64/68/69/71/72/73/74/78/79



0 666 40/41/51/61/71



0 666 43/53/63/73

1. USE

Faceplates for 1-gang to 5-gang wiring accessories.
 Horizontal or vertical mounting.

2. RANGE

Plates 1 gang

	<input type="checkbox"/> Lumen	0 666 40
	<input type="checkbox"/> 50's	0 666 41
	<input type="checkbox"/> 70's	0 666 51
	<input type="checkbox"/> 90's	0 666 61
	<input type="checkbox"/> Today	0 666 71

Plates 2 gang - 71 mm spacing

	<input type="checkbox"/> 50's	0 666 42
	<input type="checkbox"/> 70's	0 666 52
	<input type="checkbox"/> 90's	0 666 62
	<input type="checkbox"/> Today	0 666 72

Plates 2 gang - 57 mm spacing

	<input type="checkbox"/> 50's	0 666 48
	<input type="checkbox"/> 70's	0 666 58
	<input type="checkbox"/> 90's	0 666 68
	<input type="checkbox"/> Today	0 666 78

Plates 3 gang - 71 mm spacing

	<input type="checkbox"/> 50's	0 666 43
	<input type="checkbox"/> 70's	0 666 53
	<input type="checkbox"/> 90's	0 666 63
	<input type="checkbox"/> Today	0 666 73

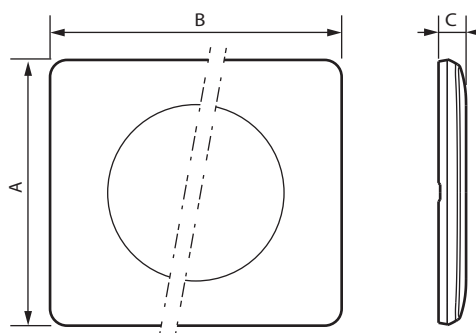
Plates 3 gang - 57 mm spacing

	<input type="checkbox"/> 50's	0 666 47
	<input type="checkbox"/> 70's	0 666 57
	<input type="checkbox"/> 90's	0 666 67
	<input type="checkbox"/> Today	0 666 77

Plate 4 gang - 71 mm spacing

	<input type="checkbox"/> 50's	0 666 44
	<input type="checkbox"/> 70's	0 666 54
	<input type="checkbox"/> 90's	0 666 64
	<input type="checkbox"/> Today	0 666 74

3. DIMENSIONS (mm)



References	A	B	C
0 666 40/41/51/61/71	82	90	8.5
0 666 42/52/62/72	82	161	8.5
0 666 43/53/63/73	82	232	8.5
0 666 44/54/64/74	82	303	8.5
0 666 48/58/68/78	82	204	8.5
0 666 47/57/67/77	82	147	8.5

4. TECHNICAL CHARACTERISTICS

4.1 Material characteristics

Polyglass appearance

Material: - ABS + PC

- halogen free

- UV resistant

Self-extinguishing: 650° C / 30 s

4.2 Climatic characteristics

Storage temperature: - 10° C to + 70° C

Use temperature: - 5° C to + 50° C

5. CLEANING

Clean the surface with a cloth.

Do not use acetone, tar-removing cleaning agents or trichloroethylene.

Resistance to the following products: Hexane (EN 60669-1), Methylated spirits, Soapy water, Diluted ammonia, Diluted pure bleach 10%, Glass cleaning product, Pre-impregnated wipes.

Caution: A preliminary test should be carried out if other specific cleaning products are to be used.

6. SPECIAL USE

The plates must not be painted.