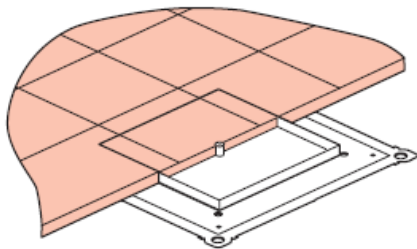
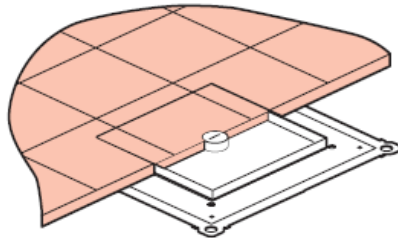


High performance Floor Boxes

Cat. No(s) : 0 896 83/84/85/86/87 & 0 896 34/39



Cat. nos 0 896 85



Cat. nos 0 896 86

CONTENTS

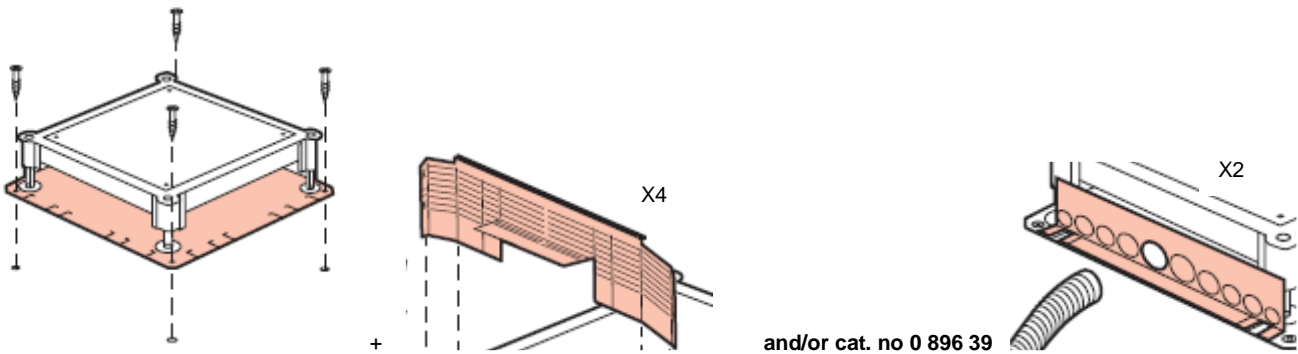
PAGES

1. Range	1
2. Dimensions	2
3. Installation	3 to 12
3. Technical characteristics	13
4. Material characteristics	13

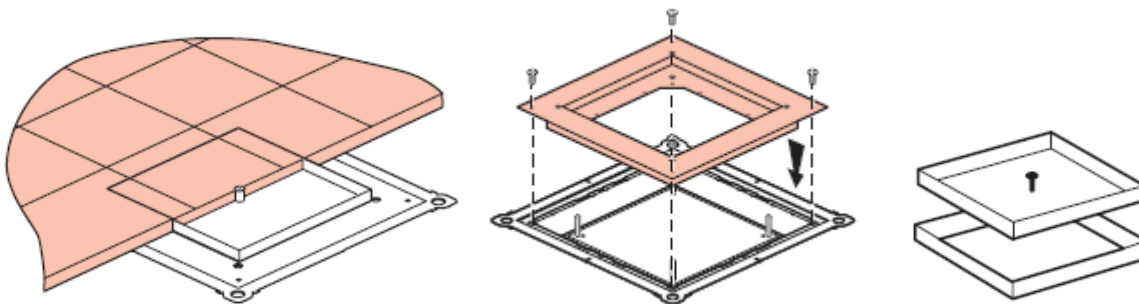
1. RANGE

For Indoor Use

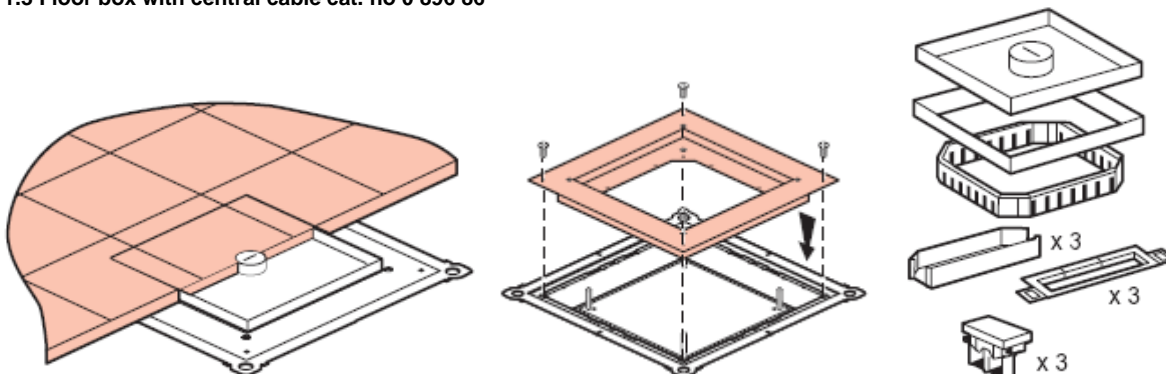
1.1 Metal backbox cat. no 0 896 34



1.2 Junction box with plain cover cat. no 0896 85

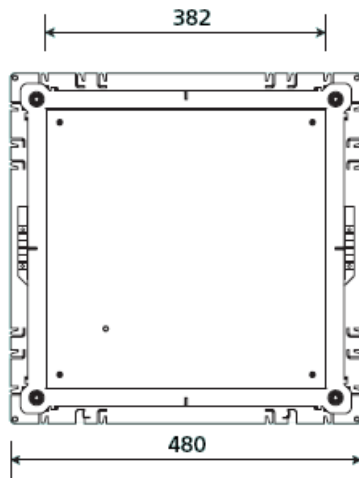


1.3 Floor box with central cable cat. no 0 896 86

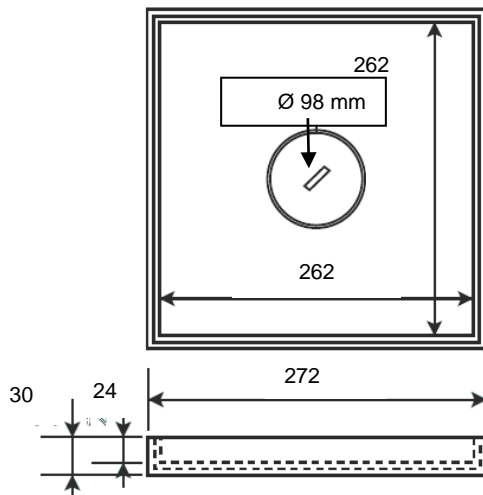


2. DIMENSIONS

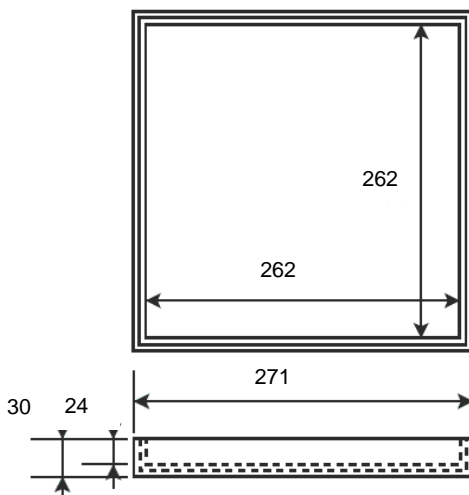
2.1 Metal backbox cat. no 0 896 34



2.2 Cover for floor boxes with central cable cat. no 0 896 86



2.3 Cover for junction boxes (plain cover) cat. no 0 896 85

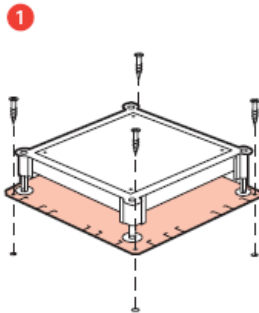


3. INSTALLATION

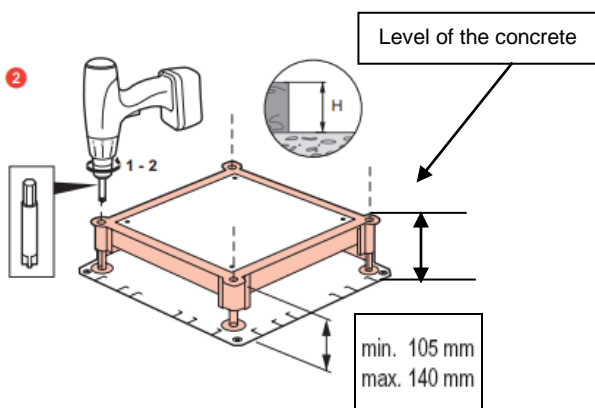
3.1 Metal backbox cat. no 0 896 34 : useful for High performance floor boxes cat. nos 0 896 85/86

The metal backbox is delivered with 4 sides for floor trunking & one accessory for screwing.
Cat. no 0 896 39 : set of 2 adaptors for conduit Ø 16, 20 et 25

a) Fixing of the backbox on the floor



b) Height adjustment of the backbox at the level of the concretes

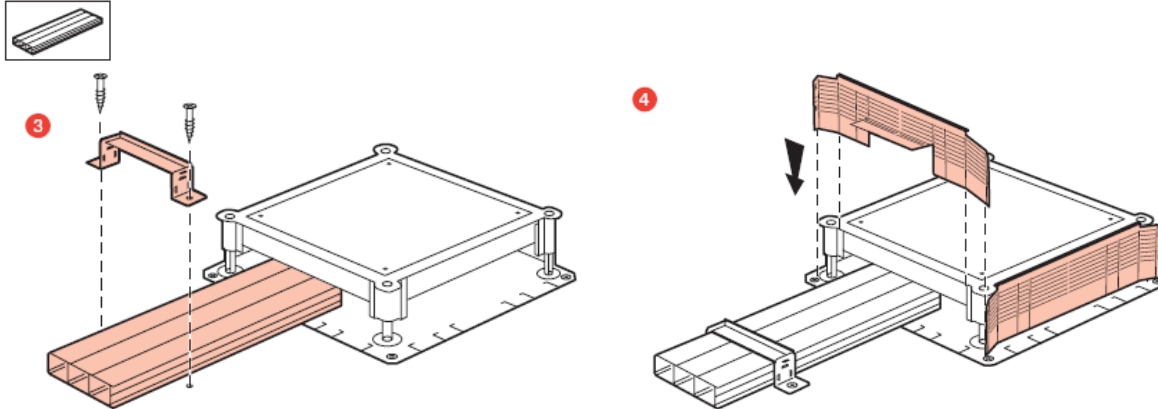


3. INSTALLATION (CONT.)

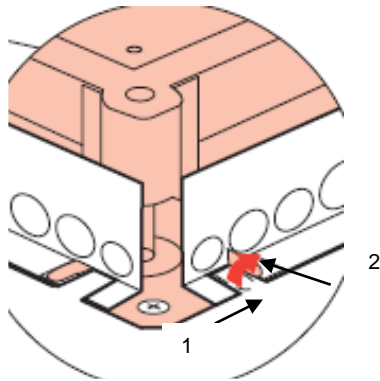
3.1 Metal backbox cat. no 0 896 34 : useful for High performance floor boxes cat. nos 0 896 85/86

c) Installation of floor ductings or conduits

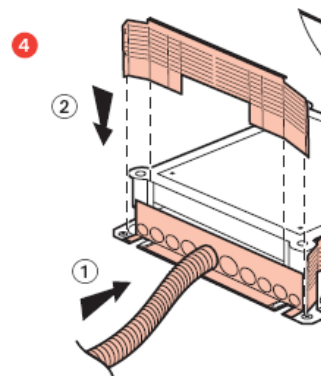
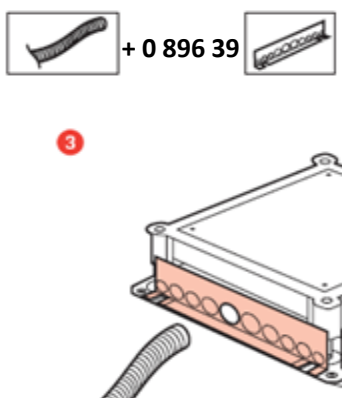
Use of the adaptors for floor ducting (delivered with backboxes)



For fixing adaptors for conduits in the bottom of the backbox, (look at hereunder drawing)



or Use of cat. no 0 896 39 : set of 2 adaptors for conduit Ø 16, 20 et 25)



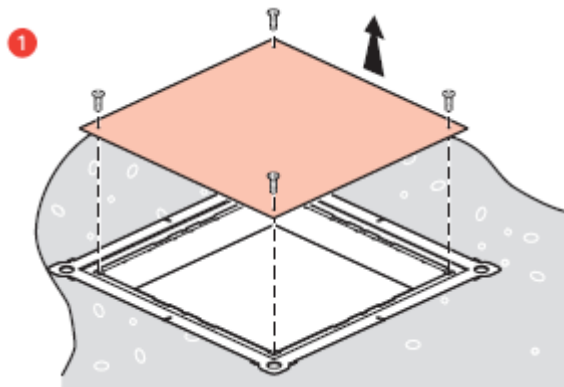
d) Pouring the concrete



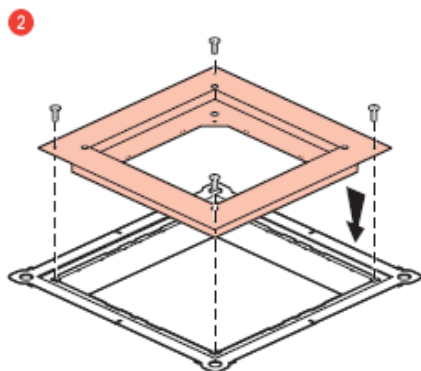
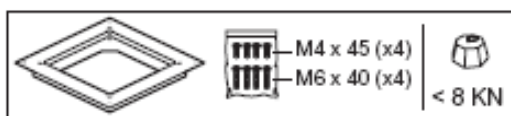
3. INSTALLATION (CONT.)

3.2 Cover supports : Useful for High performance floor boxes cat. nos 0 896 85/86

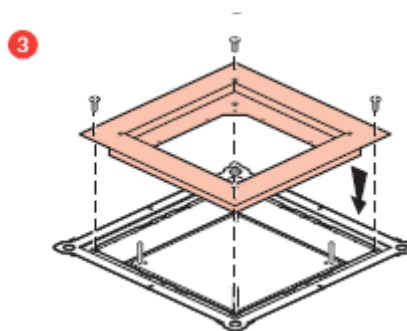
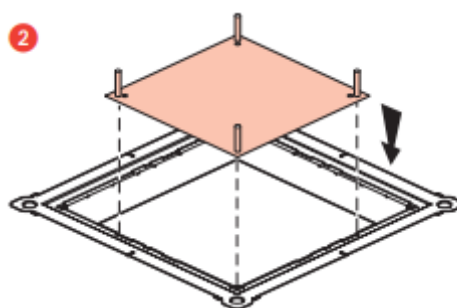
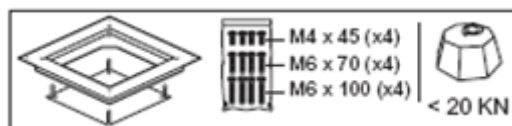
- Set for standard load cat. no 0 896 83
- Set for heavy load cat. no 0 896 84



Standard load cat. no 0 896 83

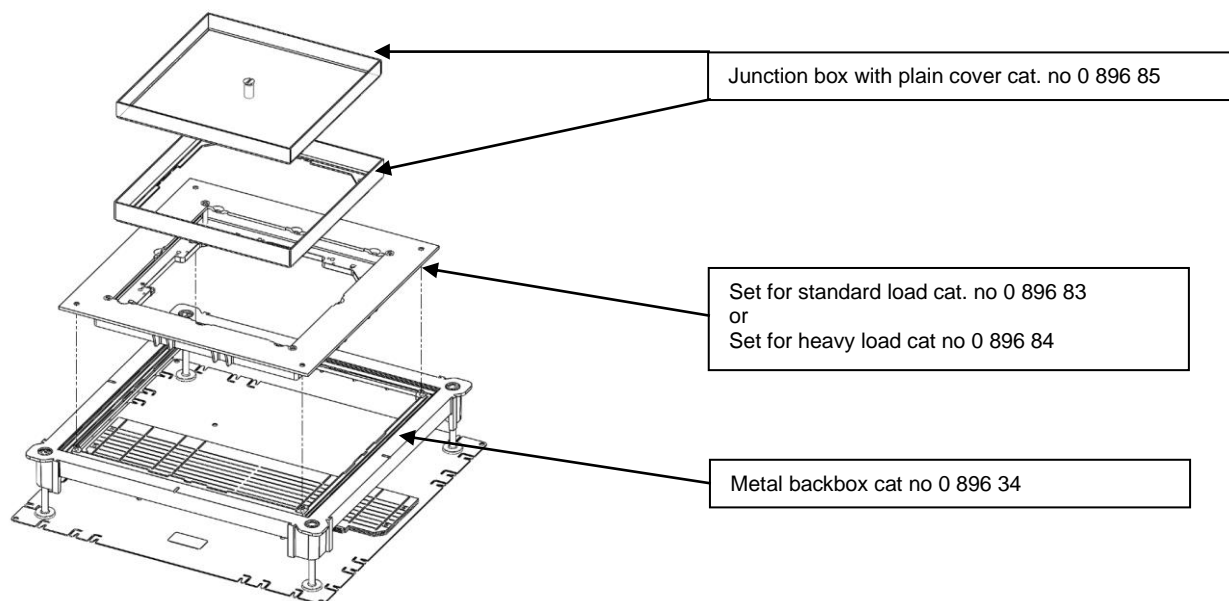


Heavy Load cat. no 0 896 84



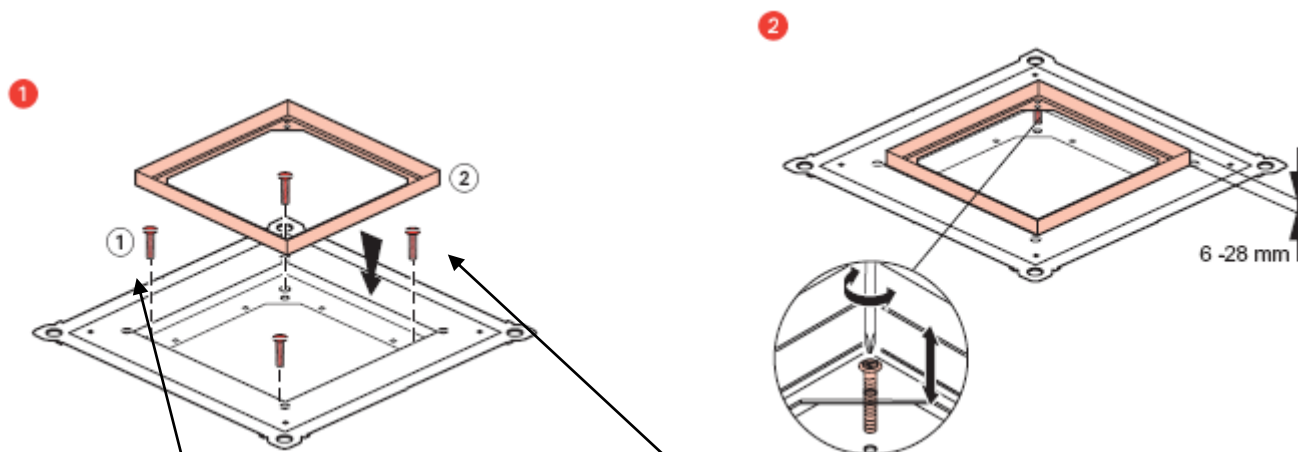
3. INSTALLATION (CONT.)

3.3 Junction boxes with plain cover cat. no 0 896 85



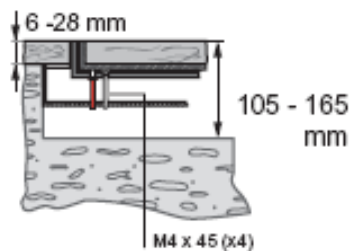
a) Cover height adjustment at the level of the finished floor

b) Cover support fixing



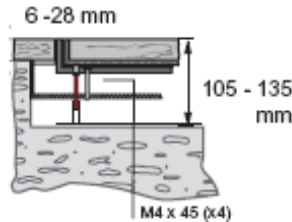
With the set for standard load cat. no 0 896 83, use the screws M6x40(x4)

M6 x 40 (x4)

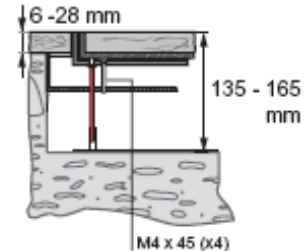


With the set for heavy load cat. no 0 896 84, use the screws M6x70(x4) or M6x100(x4) depending on the screed level

M6 x 70 (x4)



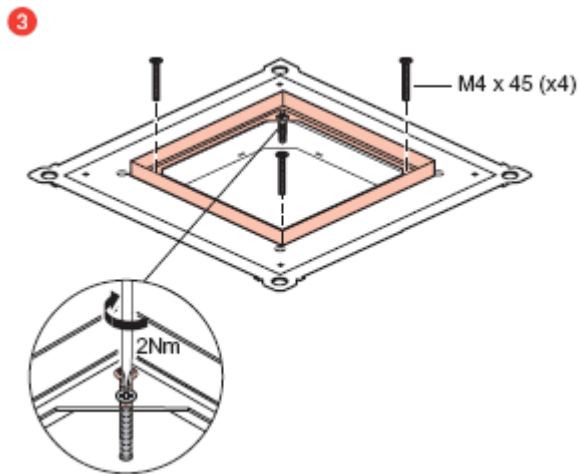
M6 x 100 (x4)



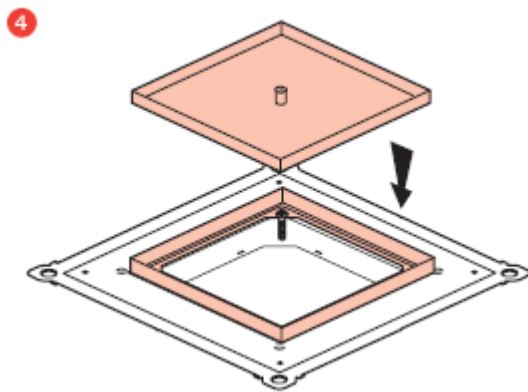
3. INSTALLATION (CONT.)

3.3 Junction box with plain cover cat. no 0 896 85

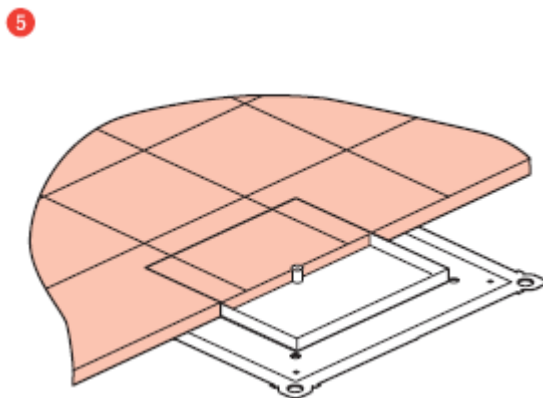
c) Locking



d) Cover fixing

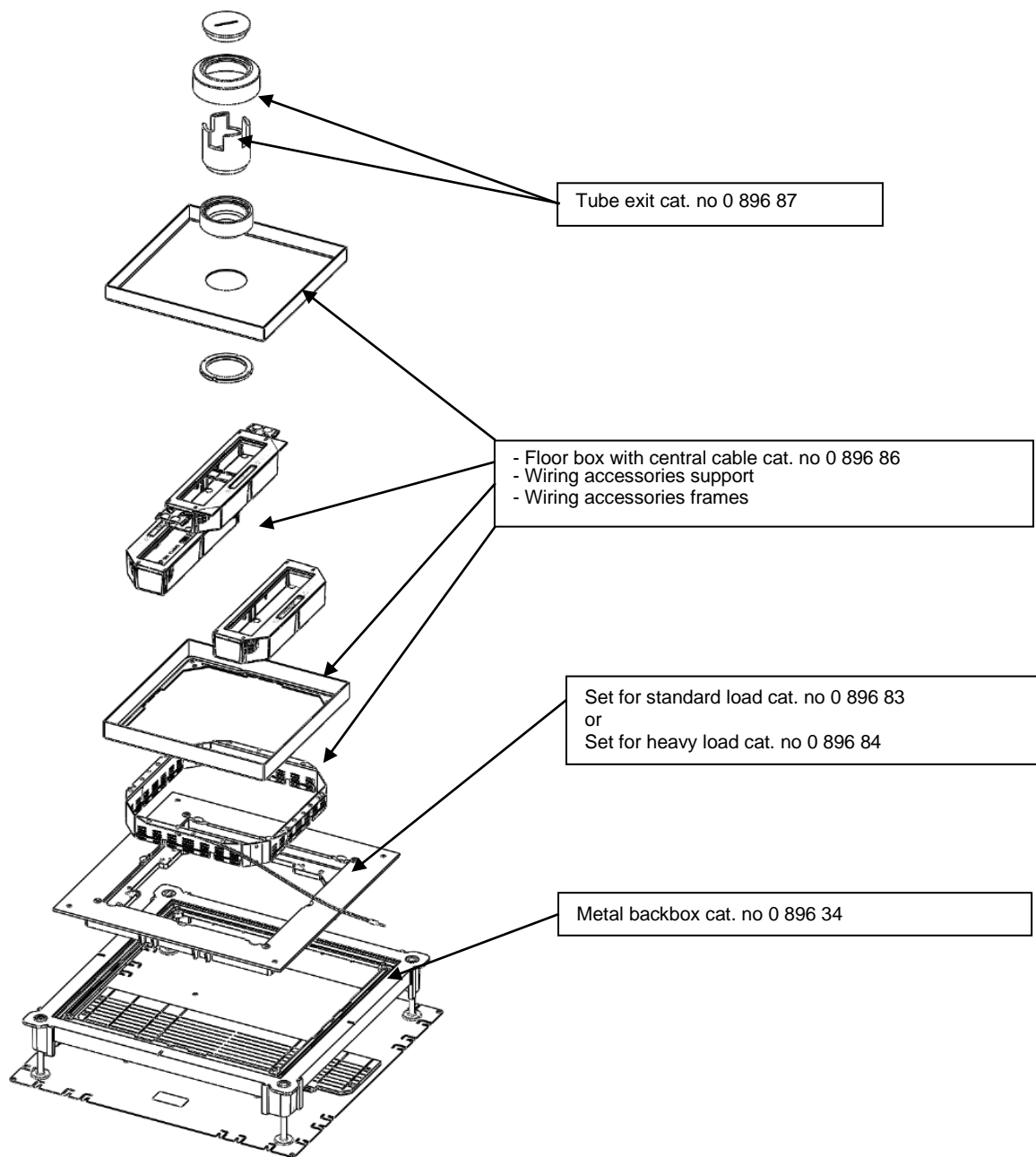


e) Fitting the tiles



3. INSTALLATION (CONT.)

3.4 Floor box with central cable cat. no 0 896 86



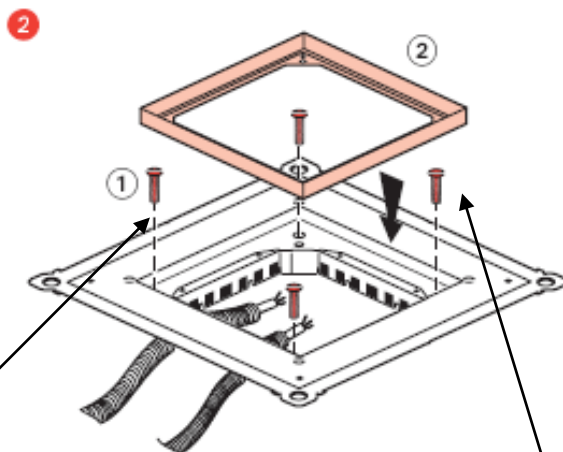
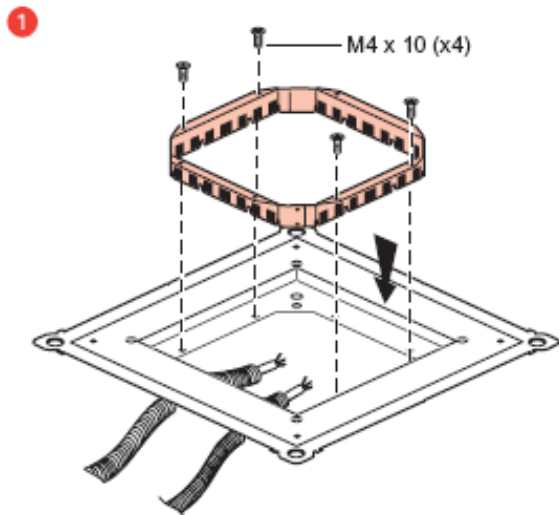
3. INSTALLATION (CONT.)

3.4.1 Wiring accessories support

Useful for installation of High performance floor boxes cat. no 0 896 86

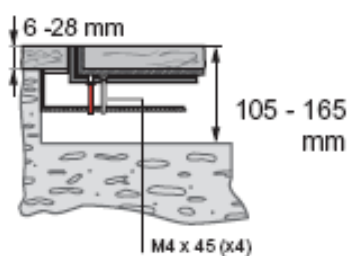
a) Support fixing in set cat. nos 0 896 83 or 0 896 84

b) Screws & Cover support fixing



With the set for standard load cat. no 0 896 83, use the screws M6x40(x4)

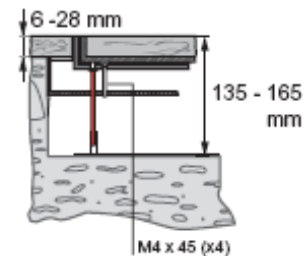
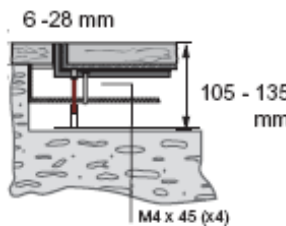
M6 x 40 (x4)



With the set for heavy load cat. no 0 896 84, use the screws M6x70(x4) or M6x100(x4) depending on the screed level

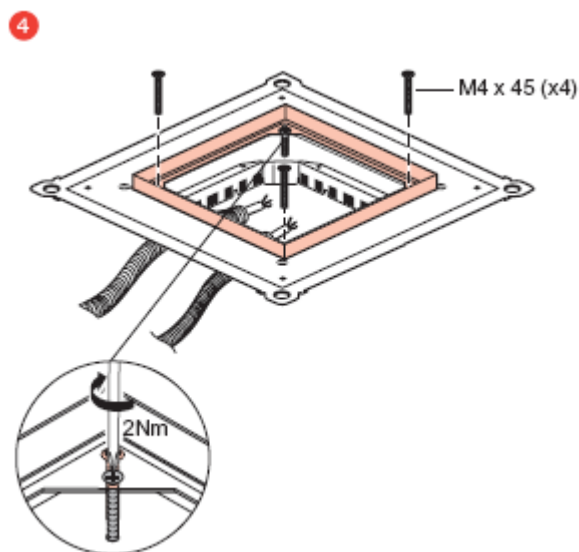
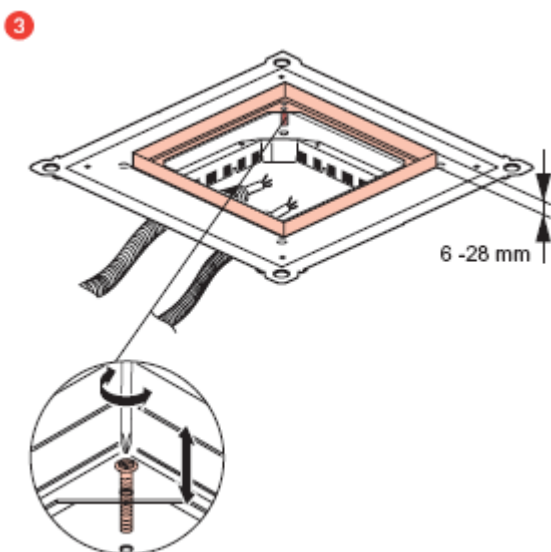
M6 x 70 (x4)

M6 x 100 (x4)



c) Support height adjustment for cover

d) Locking

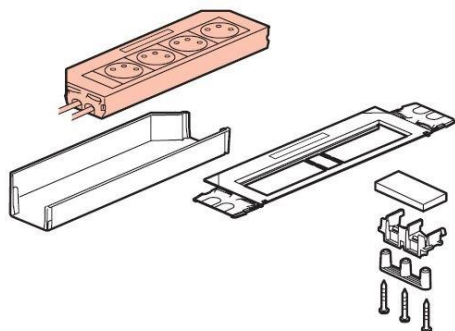


3. INSTALLATION (CONT.)

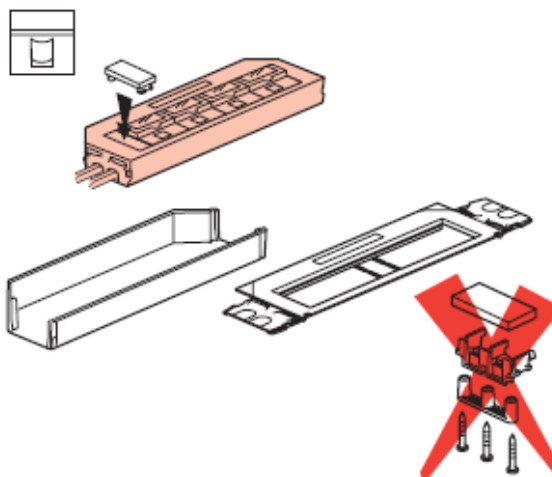
3.4.2 Wiring accessories frames

Useful for installation of High performance floor boxes cat. no 0 896 86

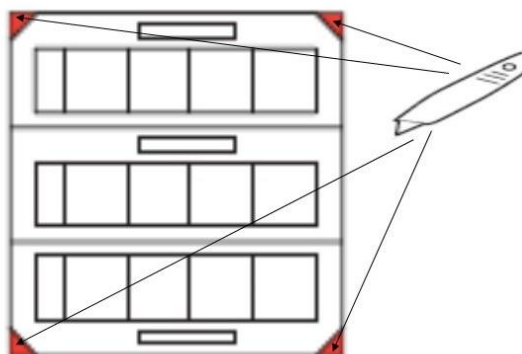
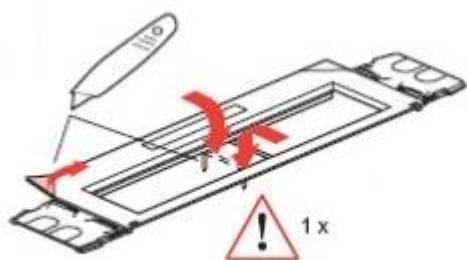
With power (8 mod. + tightener)



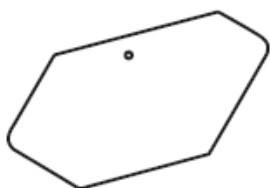
With data(9 mod.)



Wiring accessories frames in an High performance floor boxes, look at hereunder drawing.

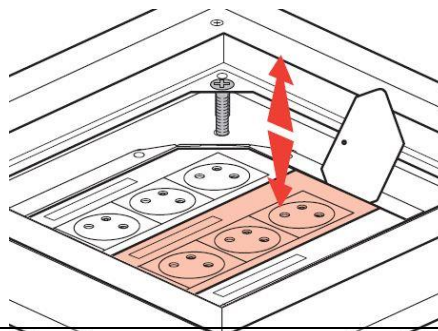
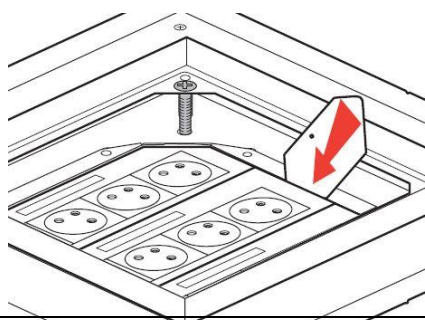


The wiring accessories frames are delivered with a card allowing the installation and the removing of the frames in the bottom of the floor box.



Insertion of the card for installation of the wiring accessories frames

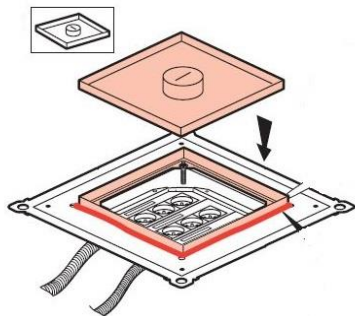
Insertion of the card to remove the wiring accessories frames



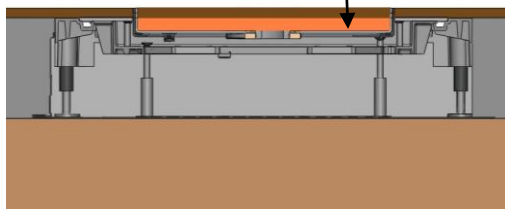
3. INSTALLATION (CONT.)

3.4.3 Floor box with central cable cat. no 0 896 86

a) Cover installation

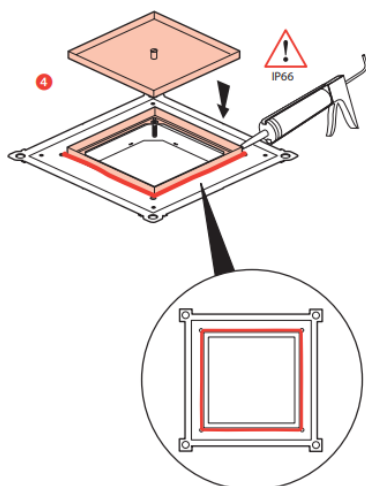


b) Before fitting coating, adjustment of the level of the inside of the cover with the help of the glue shown in orange color (depth of the glue = difference between the coating thickness and the cover height)

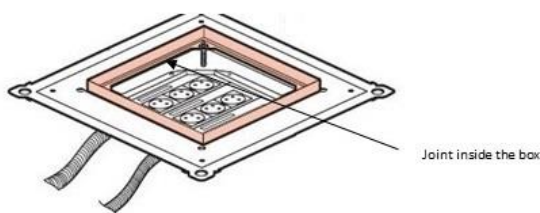


IMPORTANT :

Before the installation of the final coating, make a joint around the support lid for a good sealing. Concerning the installation of tiling, leave 5 mm all around the support lid to make a joint there.



The interior of floor box does not have to receive waste/dust during the installation of equipment as before the installation of the lid (this guaranteeing the effectiveness of the joint inside the box)

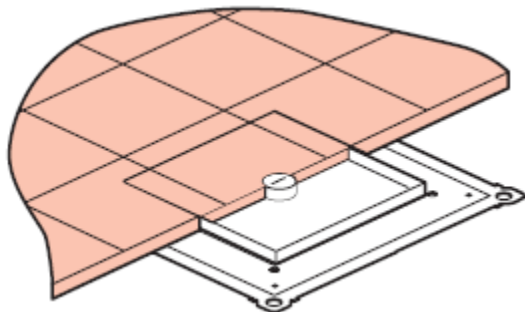


Be careful to place the whole on level ground to avoid the water stagnation or all other liquids.

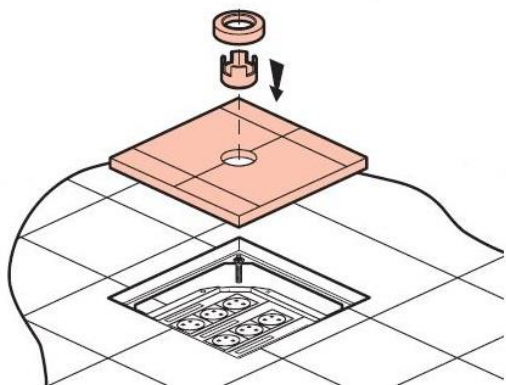
3. INSTALLATION (CONT.)

3.4.3 Floor box with central cable cat. no 0 896 86

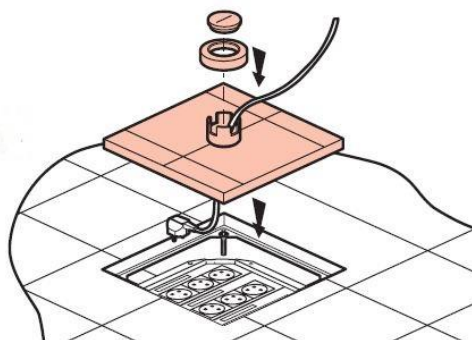
c) Fitting the tiles



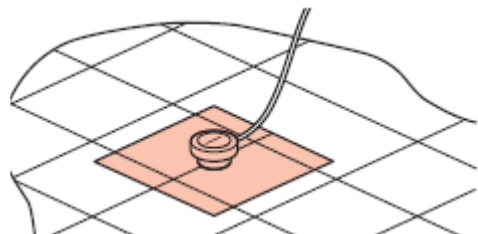
d) Installation of the tube exit (optional for the floor box with central cable)



e) Insertion and connection of the cable


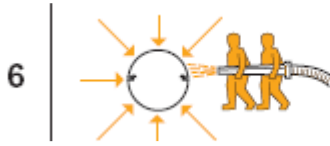
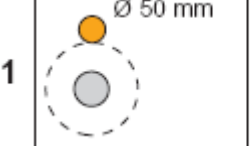

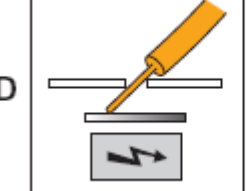


f) Repositioning of the cover



4. TECHNICAL CHARACTERISTICS

Index of protection (IP)

<p>Cat. no 0 896 85, cover closed</p>	<p>IP66</p>	<p>1 st digit : protection against solid bodies</p>  <p>Completely protected against dust</p> <p>2 nd digit : protection against liquids</p>  <p>Protected against jets of water of similar force to heavy seas</p>
<p>Cat. no 0 896 86 Cover closed and Plugs not connected</p>		
<p>Cat. nos 0 896 86 + 0 896 87 Plugs connected</p>	<p>IP14-D</p>	<p>1 st digit : protection against solid bodies</p>  <p>Protected against solid bodies larger than 50 mm</p> <p>2 nd digit : protection against liquids</p>  <p>Protected against projections of water from all directions</p> <p>Additional letter IP XX (ABCD) : protection against direct contact resulting from the access to hazardous current-carrying parts.</p>  <p>The dangerous parts can not be touched when introducing a wire</p>

5. MATERIAL CHARACTERISTICS

Covers : Stainless steel 304L
 Backboxes : Galvanized steel+ Zamac
 Wiring accessories frames: polypropylene
 Tube exit : Stainless steel 304L