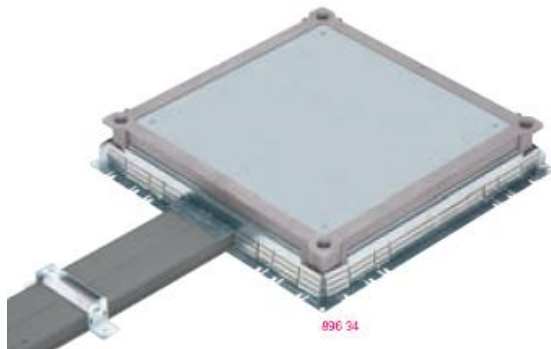


PVC floor duct and metal underfloor boxes

Number(s) :

0 896 34/35/38, 0 89 661/62/63, 0 89 667/68/69/70, 0 896 74/75/76/77/78



CONTENTS

PAGES

1. Range
2. Technical characteristics
3. Fixing

1. RANGE

1.1 Metal underfloor boxes nr 0 896 34

Allow derivation of power and data cable and fitting of a floor box :

Adjustable height from 56mm to 140mm with 4 screws situated in the corners.

Cutable sides to fit the different trunking sizes.

Delivered with building site cover to be replaced with metal cover or floor box.

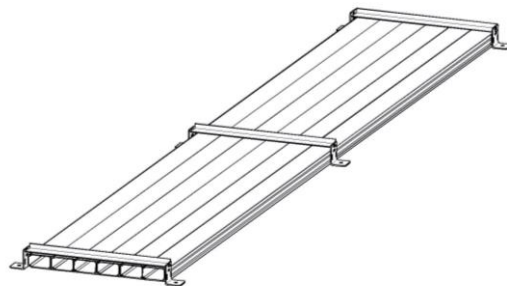
1.2 Covers (thickness 3mm) nr 0 896 35/38

0 896 35 : Blanking cover plates for simple junction.

0 896 38 : Mounting cover plate for floor boxes 24 modules or floor boxes with reduced height 16 modules.

1. RANGE (continued)

1.3 PVC floor duct nr 0 896 61 to 63 and 0 896 67 to 70



PVC floor duct allows :

- distributing power 4 data in a concrete floor.
- Can be joined to make the number of compartments required (300mm maxi), for immediate use or standby.

Combines with metal underfloor boxes for cable junction or floor box installation.
IP40/IK08, length 2m.

Height 28mm :

Numbers	Number of compartments	Dimensions
0 896 61	2	100x28
0 896 62	3	150x28
0 896 63	4	200x28

Height 38mm :

Numbers	Number of compartments	Dimensions
0 896 67	1	50x38
0 896 68	2	100x38
0 896 69	3	150x38
0 896 70	4	200x38

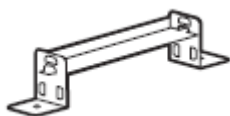
PVC floor duct and metal underfloor boxes

Number(s) :

0 896 34/35/38, 0 89 661/62/63, 0 89 667/68/69/70, 0 896 74/75/76/77/78

1. RANGE (continued)

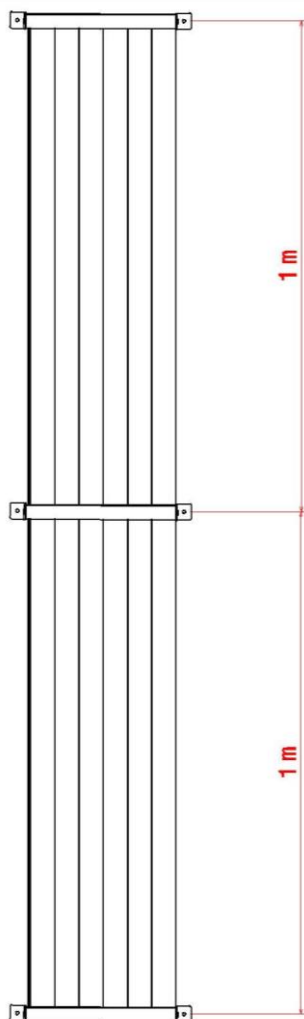
1.4 Fixing / coupling accessories nr 0 896 74 to 78



For fixing floor ducts on floor and junction between ducts.

Numbers	Use for
0 896 74	For duct width 100mm
0 896 75	For duct width 150mm
0 896 76	For duct width 200mm
0 896 77	For duct width 250mm
0 896 78	For duct width 300mm

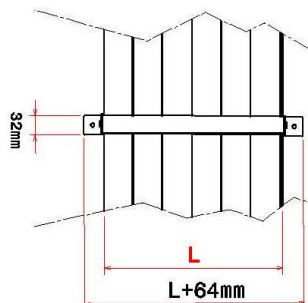
To be fixed every meter :



1. RANGE (continued)

1.4 Fixing / coupling accessories nr 0 896 74 to 78 (continued)

Dimensions of coupling accessories :



2. TECHNICAL CHARACTERISTICS

Cabling capacity for PVC floor duct :

Ø maxi / compartment :

→ Ø 24mm for floor duct height 28mm

→ Ø 34mm for floor duct height 38mm

Section / compartment and total section :

Height 28mm:

Dimensions+ numbers	Number of compartments	Total section mm ²
100x28 0 896 61		2160
150x28 0 896 62		3240
200x28 0 896 63		4320

Height 38mm:

Dimensions+ numbers	Number of compartments	Total section mm ²
50x38 0 896 67		1550
100x38 0 896 68		3100
150x38 0 896 69		4650
200x38 0 896 70		6200

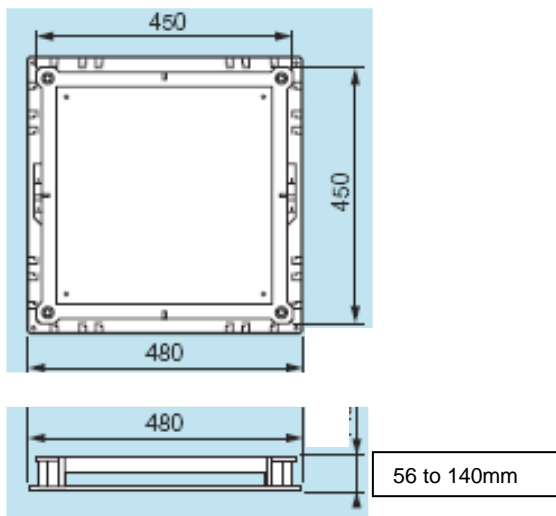
PVC floor duct and metal underfloor boxes

Number(s) :

0 896 34/35/38, 0 89 661/62/63, 0 89 667/68/69/70, 0 896 74/75/76/77/78

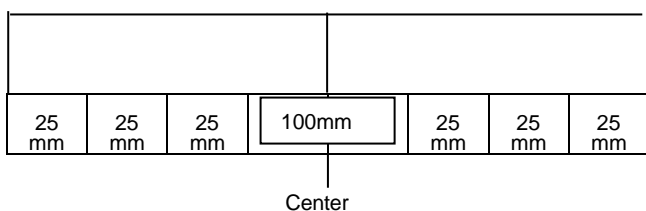
2. TECHNICAL CHARACTERISTICS (continued)

Dimensions of metal underfloor boxes :



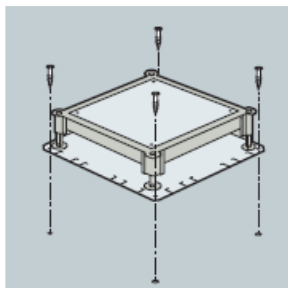
To use tubes (Ø 16, 20 or 25) use plastic underfloor boxes references 89630/31/32

Schematic of fitting of the PVC floor duct in the grid of the box:

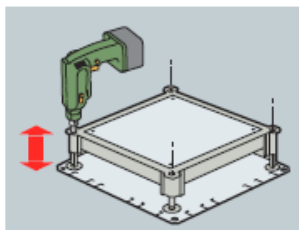


3. FIXING

Underfloor box fixing :

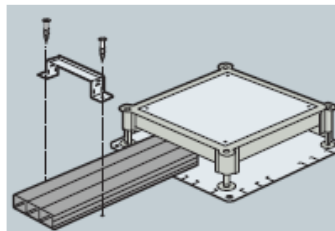


Height adjustment (56 to 140mm) :

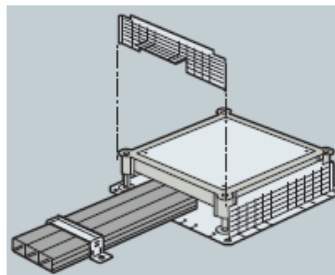


3. FIXING (continued)

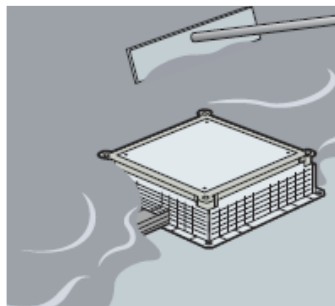
Placing the floor ducts



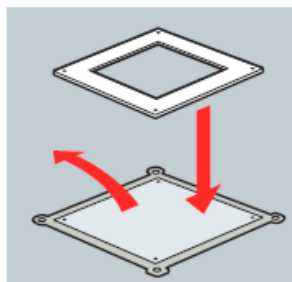
Placing the lateral sides :



Pouring the concrete :



Cover change :



Placing the floor box.

