

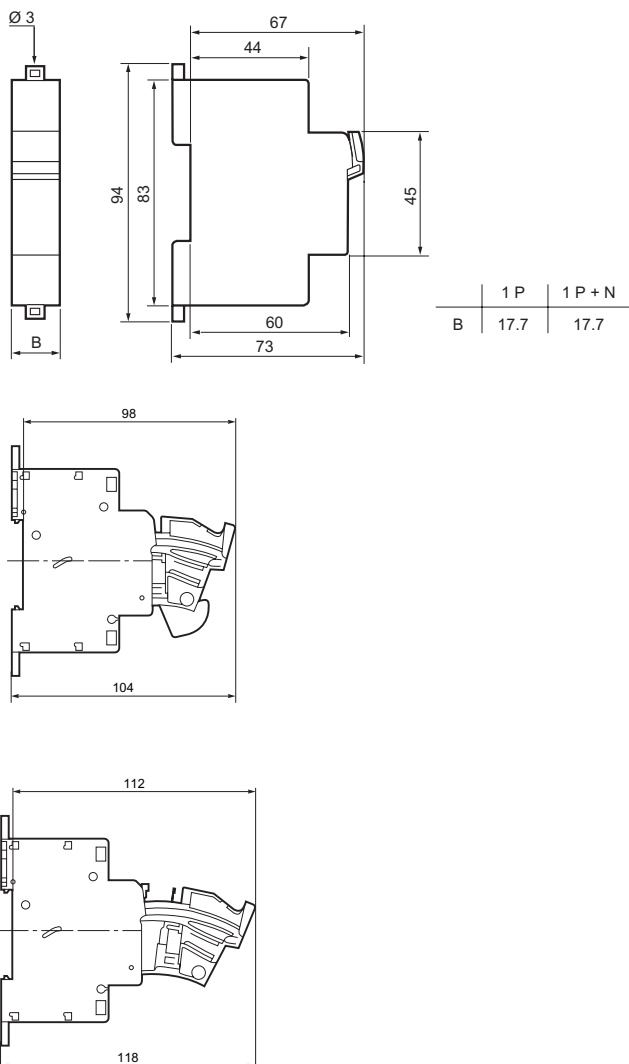
1. PRINCIPLE

Modular fuse carrier for protection and switching of electrical circuits

2. RANGE

Single-pole, single-pole + neutral
Rating: 0.2/0.5/0.63/1/1.25/1.6/2/2.5/3.15/5/6.3/10 A

3. DIMENSIONS (mm)



4. ELECTRICAL CHARACTERISTICS

Breaking capacity: miniature cylindrical cartridge fuse

Rating	0.2	0.5	0.63	1	1.25	1.6	2	2.5	3.15	5	6.3	10
Size	5 x 20											
Voltage	250 V											
ISC (kA)												0.5

Nominal frequency	50/60 Hz
Overtoltage level	6 kV
Dielectric strength	3 kV (50 Hz)
Degree of pollution	2
Max. dissipated power per pole	1 P = 0.1 W 1 P + N = 0.25 W

5. CONFORMITY: conforms to standard IEC 127-6

6. MECHANICAL CHARACTERISTICS

Environmental conditions

Operating temperature: - 5 °C to + 40 °C
Storage temperature: - 10 °C to + 70 °C

Mechanical withstand: IPxx3

Materials

Casing	Reinforced polyethylene	Density	1.62 to 1.70
		Max. tensile stress	> 100 MPa
		Bending module	> 9.50 GPa
		Incandescent wire	960 °C/5 s
		Oxygen index	> 30
		Colour	grey RAL 7035
Screws	Zinc bichromate finish steel		
Contacts	Brass		

7. INSTALLATION

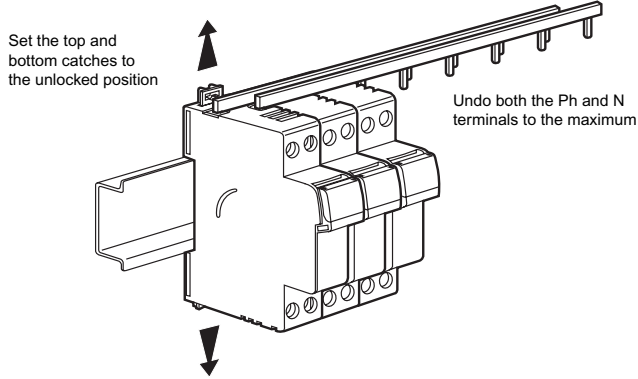
- Fixing:
- On symmetrical rail EN 50-022
- With $\varnothing 3$ screws on plate using ends of released claws
- Supply via the top and the bottom
- Operating position: vertical
- Connection:

	1 P + N	1 P
Conductors permitted		
- Flexible with end caps	1.5 to 10 mm ²	1.5 to 25 mm ²
- Flexible	1.5 to 10 mm ²	1.5 to 25 mm ²
- Rigid	1.5 to 16 mm ²	1.5 to 25 mm ²
Tools required:		
- Flat blade screwdriver	$\varnothing 4$ to 5.5 mm	$\varnothing 4$ to 5.5 mm
- Posidrive screwdriver	PZ1	PZ2
Tightening torque		
- min.	1.2 Nm	1.8 Nm
- max.	2.8 Nm	3 Nm
- recommended	2 Nm	2.2 Nm

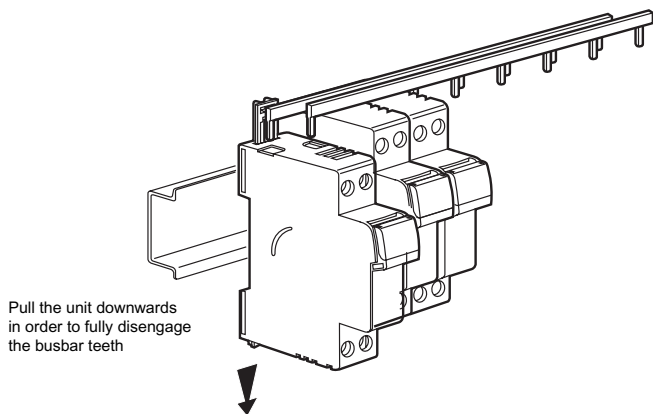
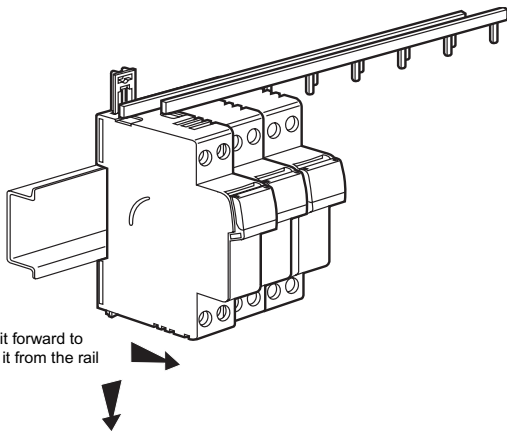
7. INSTALLATION (continued)

- Protection against direct contact: IP2x
- Cage terminals, with combined Posidrive, releasable and captive screws
- Alignment and spacing of the terminals to allow busbar connection with other products in the range

- **Maintained** with busbar connection



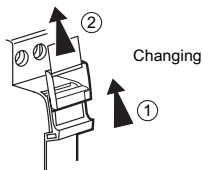
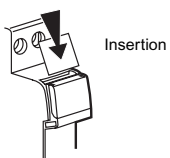
Undo both the Ph and N terminals to the maximum



Labelling:

Circuits labelled on front face:

- with label creation software
- with electronic label printer with keypad
- with pre-printed sheets of symbols



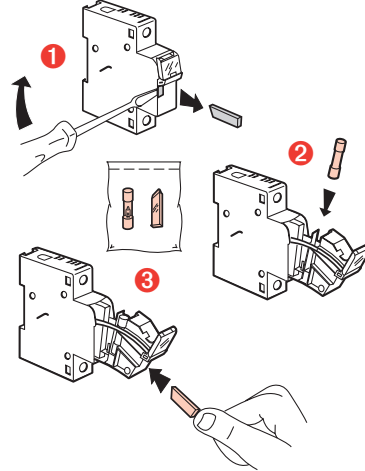
7. INSTALLATION (continued)

- Wiring accessories

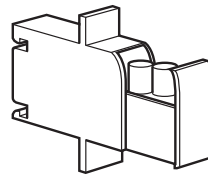
- supply busbars
- incoming terminals

- MISCELLANEOUS ACCESSORIES

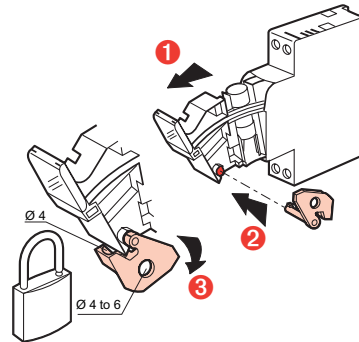
- blow-out indicator 250 V \sim Cat. No. 057 90



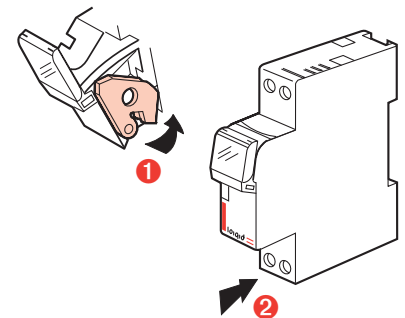
- reserve cartridge holder Cat. No. 057 91



- locking accessory Cat. No. 057 99



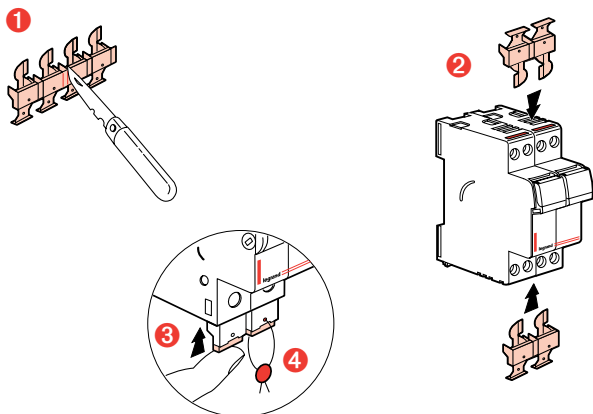
- padlock \varnothing 5 mm Cat. No. 044 43
- padlock \varnothing 6 mm Cat. No. 227 97



7. INSTALLATION *(continued)*

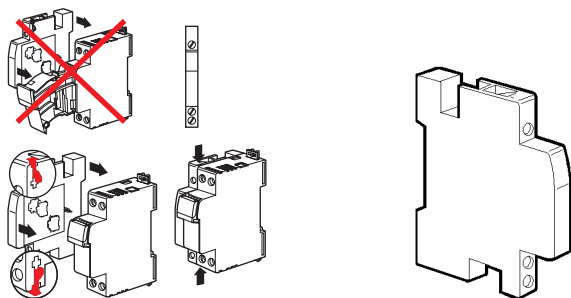
- Miscellaneous accessories

- lead sealable terminal shield (4 separable poles) Cat. No. 044 44



- Auxiliary device

N/C + N/O auxiliary switch for on/off signalling 250 V (0.5 module)
Cat. No. 05796



8. PROTECTION INDEX

- Class 2 \square : unit closed, open or being opened
- IP 2x