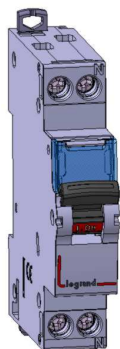


**DX<sup>3</sup> MCB 6000 A / 10 kA**  
**Phase + Neutral, neutral on right side**

**Cat. N°(s): 4 074 67 / 68 / 69 / 70 / 71 / 72 / 73 / 74 / 75 / 76 / 77 / 78 / 79 ; 4 077 33 / 34 / 35 / 36 / 37 / 38 / 40 / 41 / 42 / 43 / 44 / 45 / 46**



CONTENTS	PAGE
1. Description, use .....	1
2. Range .....	1
3. Overall dimensions.....	1
4. Preparation - Connection.....	1
5. General characteristics.....	3
6. Compliance and approvals.....	19
7. Curves .....	20
8. Auxiliaries and accessories .....	25

**1. DESCRIPTION - USE**

Thermal-magnetic circuit breaker (MCB) with positive contact indication for control, protection against short-circuits and overloads, and isolation of electrical circuits.

**Symbol:**



**Technology:**

- . Limiting device
- . The Neutral contact closes before and opens after the Phase contact
- . The Phase pole provides protection and isolation for the Phase circuit
- . The neutral pole provides isolation for the Neutral circuit

**2. RANGE**

**Polarity:**

- . 2 poles including 1 protected pole and 1 neutral pole

**Width:**

- . 1 module (17.8 mm)

**Rated currents In:**

- . 0.5 / 1 / 2 / 3 / 4 / 6 / 10 / 13 / 16 / 20 / 25 / 32 / 40 A, C curve
- . 0.5 / 1 / 2 / 3 / 4 / 6 / 10 / 13 / 16 / 20 / 25 / 32 / 40 A, B curve

**Magnetic tripping curves:**

- . C curve (between 5 and 10 In)
- . B curve (between 3 and 5 In)

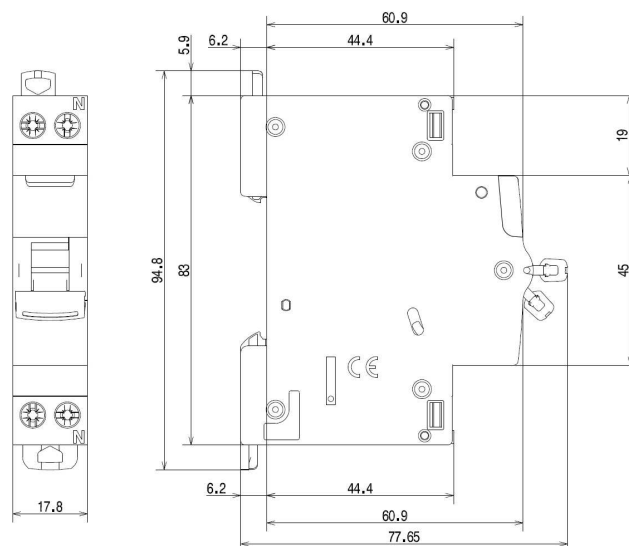
**Rated voltage and frequency:**

- . 230 V ~, 50 Hz with standard tolerances
- . 240 V ~, 50 Hz with standard tolerances

**Breaking capacity:**

- . Icn = 6000 A in accordance with standard EN/IEC 60898-1
- . Icu = 10 kA in accordance with standard EN/IEC 60947-2

**3. OVERALL DIMENSIONS**



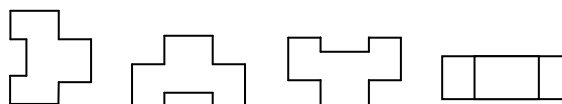
**4. PREPARATION - CONNECTION**

**Mounting:**

- . On symmetrical EN 60.715 rail or DIN 35 rail

**Operating position:**

- . Vertical
- . Horizontal
- . Upside down
- . On the side



**Power supply:**

- . Either from the top or the bottom

# DX<sup>3</sup> MCB 6000 A / 10 kA

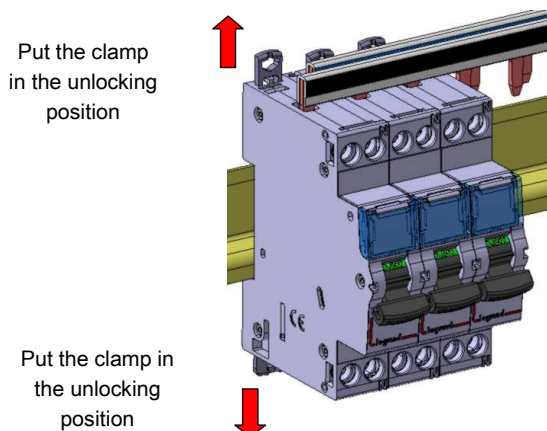
## Phase + Neutral, neutral on right side

Cat. N°(s): 4 074 67 / 68 / 69 / 70 / 71 / 72 / 73 / 74 / 75 / 76 / 77 / 78 / 79 ; 4 077 33 / 34 / 35 / 36 / 37 / 38 / 40 / 41 / 42 / 43 / 44 / 45 / 46

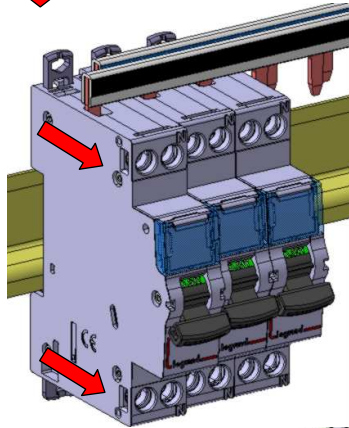
### 4. PREPARATION - CONNECTION *(continued)*

#### Module maintenance:

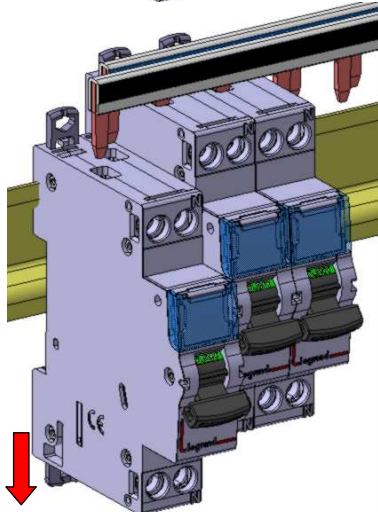
. A circuit breaker may be replaced in the middle of a row supplied with busbars without disconnecting the other products.



Put the clamp in the unlocking position



Pull the device forward in order to release it from the rail



#### Connection:

- . Terminals protected against direct contact IP20, wired device
- . Cage terminals, with release and captive screws
- . Terminals fitted with shutters preventing a cable being placed under the terminal, with the terminal partly open or closed
- . Alignment and spacing of the terminals permitting connection with the other products in the range via prong supply busbars

### 4. POSITIONING - CONNECTION *(continued)*

#### Connection *(continued)*:

- . Terminal depth: 14 mm at the top and 13 mm at the bottom
- . Screw head: mixed, slotted and Pozidriv no. 2
- . Tightening torques:
  - Recommended: 1.6 to 2 Nm
  - Min.: 1.2 Nm
  - Max.: 2.8 Nm

#### Conductor type:

- . Copper cable or supply busbar
- . Cable cross-section

	Without ferrule	With ferrule
Rigid cable	1 x 0.75 to 16 mm <sup>2</sup> 2 x 0.75 to 6 mm <sup>2</sup>	-
Flexible cable	1 x 0.75 to 10 mm <sup>2</sup> 2 x 0.75 to 4 mm <sup>2</sup>	1 x 0.75 to 10 mm <sup>2</sup>

. Prong busbar, alone or with a flexible wire (without ferrule) 10 mm<sup>2</sup> or a connection terminal in the same terminal.

#### Recommended tools:

- . For the terminals, screwdriver with 5.5 mm blade or Pozidriv no. 2 screwdriver
- . For attaching or removing the DIN rail, screwdriver with 5.5 mm blade or Pozidriv no. 2 screwdriver

#### Manual actuation of the MCB:

- . Ergonomic 2-position handle
- . "I-ON": Device closed
- . "O-OFF": Device open

#### Contact status display:

- . By marking of the handle
- "O-OFF" in white on a green background = contacts open
- "I-ON" in white on a red background = contacts closed

#### Locking:

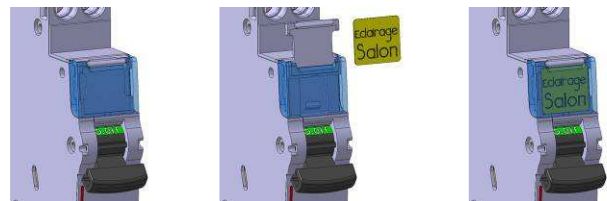
- . Padlocks possible in the open and closed positions with padlock support (Cat. No. 4 063 03) and Ø5 mm padlock (Cat. No. 4 063 13) or Ø6 mm padlock (Cat. No. 0 227 97)

#### Sealing:

- . Possible in the open or closed positions

#### Labelling:

- . Circuit identification by way of a label inserted in the label holder situated on the front of the product.



# DX<sup>3</sup> MCB 6000 A / 10 kA

## Phase + Neutral, neutral on right side

Cat. N°(s): 4 074 67 / 68 / 69 / 70 / 71 / 72 / 73 / 74 / 75 / 76 / 77 / 78 / 79 ; 4 077 33 / 34 / 35 / 36 / 37 / 38 / 40 / 41 / 42 / 43 / 44 / 45 / 46

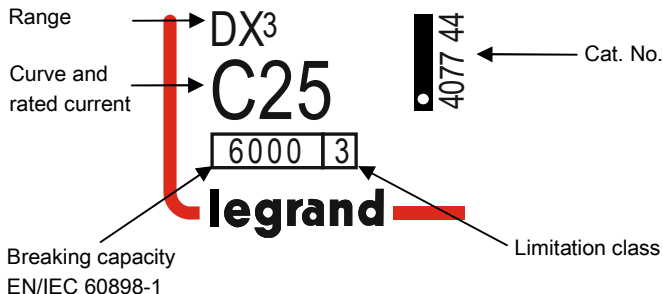
### 5. GENERAL CHARACTERISTICS

#### Neutral earthing system:

. IT, TT, TN

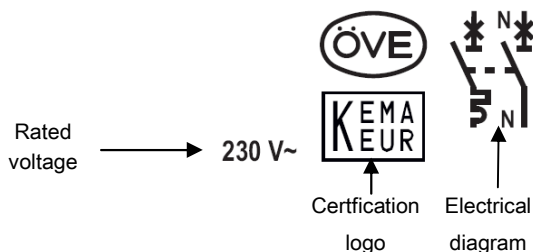
#### Marking on the front side:

. By permanent ink pad printing



#### Marking on the upper panel:

. By permanent ink pad printing



. The terminals upstream and downstream of the neutral pole are marked with an "N" moulded close to the screw heads.

#### Minimum operating voltage:

. U = 12 V AC/DC

#### Maximum operating voltage:

. U = 250 V

#### Breaking capacity on one single pole (phase pole):

. In accordance with I<sub>nt</sub> EN60947-2 – Appendix H ( double fault in IT system): 3 kA at 400 V ~ and 3 kA at 230 V~

. In accordance with I<sub>cn1</sub> EN60898-1: 4.5 kA at 230 V ~ and 10 kA at 127V~

#### Breaking capacity:

Standard	Breaking capacity	Voltage between poles	Breaking capacity
EN/IEC 60898-1	I <sub>cs</sub>	127 V	10 kA
	I <sub>cn</sub>		10 kA
	I <sub>cs</sub>	230 V	6 kA
	I <sub>cn</sub>		6 kA
EN/IEC 60947-2	I <sub>cu</sub>	230 V	10 kA
	I <sub>cs</sub>		50% I <sub>cu</sub>

#### Isolation distance:

. The distance between the contacts is greater than 5.5 mm with the handle in the open position.

. The MCB is suitable for isolation in accordance with standard EN/IEC 60898-1.

### 5. GENERAL CHARACTERISTICS (continued)

#### Insulation voltage:

. U<sub>i</sub> = 250 V in accordance with standard EN/IEC 60898-1

#### Degree of pollution:

. 2 in accordance with standard EN/IEC 60898-1

#### Dielectric strength:

. 2,000 V

#### Rated impulse withstand voltage:

. U<sub>imp</sub> = 4 kV

#### Degree or class of protection:

. Terminals protected against direct contact. Class of protection against solid objects and liquids (wired device): IP20 in accordance with standards IEC 529 – EN 60529 and NF 20-010

. Front panel protected against direct contact: IP40

. Class II in relation to metallic conductive parts

. Class of protection against mechanical impacts IK02 in accordance with standard EN 62262.

#### Plastic materials:

. Polyamide and P.B.T.

#### Enclosure heat and fire resistance:

. Resistance to glow wire tests at 960°C, in accordance with standard EN/IEC 60898-1

. Classification V2, in accordance with standard UL94

#### Higher heating potential:

. The heat potential is assessed at: 1.32 MJ

#### Closing and opening force via the handle:

. 2 N on opening

. 9 N on closing

#### Mechanical endurance:

. Compliant with standard EN/IEC 60898-1

. Tested with 20,000 operations with no load

#### Electrical endurance:

. Compliant with standard EN/IEC 60898-1

. Tested with 10,000 operations with load (I<sub>n</sub> x Cos φ 0.9)

#### Sinusoidal vibration resistance in accordance with IEC 60068.2.6:

. Axes: x – y – z

. Frequency: 10 to 55 Hz

. Acceleration: 3g (1g = 9.81m.s<sup>-2</sup>)

#### Resistance to tremors:

. In accordance with standard EN/IEC 60898-1

#### Ambient temperatures:

. Operation: from - 25°C to + 70°C

. Storage: from - 40°C to + 70°C

#### DC operation:

. 60 V DC:

- I<sub>cn</sub> = 4500 A in accordance with standard EN/IEC 60898-1

- Magnetic threshold overrating:

B curve: 3 to 7.5 I<sub>n</sub>/C curve: 5 to 15 I<sub>n</sub>

# DX<sup>3</sup> MCB 6000 A / 10 kA

## Phase + Neutral, neutral on right side

Cat. N°(s): 4 074 67 / 68 / 69 / 70 / 71 / 72 / 73 / 74 / 75 / 76 / 77 / 78 / 79 ; 4 077 33 / 34 / 35 / 36 / 37 / 38 / 40 / 41 / 42 / 43 / 44 / 45 / 46

### 5. GENERAL CHARACTERISTICS *(continued)*

#### Frequency:

- . Operation at 400 Hz: yes
- . Magnetic tripping depending on the frequency
  - from 16<sup>2/3</sup> Hz to 60 Hz: no correction
  - 400 Hz: the magnetic tripping threshold increases by 45%

#### Packaged volume:

Packaging	Volume (dm <sup>3</sup> )
Per 1	0.195
Per 10	1.62

#### Average unit weight per catalogue number:

- . 0.11 kg

#### Derating of MCBs function of the number of devices placed side by side:

When several MCBs are installed side by side and operate simultaneously, the heat dissipation of one pole is limited. This results in an increased operating temperature for the circuit breakers which may cause false tripping. Applying the following coefficients to the operating currents is recommended.

Number of MCBs side by side	Coefficient
2 - 3	0.9
4 - 5	0.8
6 - 9	0.7
≥ 10	0.6

These values are given in the IEC 60439-1 recommendation and NF C 63421 and EN 60439-1 standards.

In order to avoid having to use these coefficients there must be good ventilation and the devices must be kept apart using the spacing elements Cat. No. 4 063 07 (0.5 module).

#### Derating of MCBs in the event of use with fluorescent tubes:

Electronic or ferromagnetic ballasts provide a high inrush current for a very short time. These currents are liable to cause tripping of the circuit breakers.

The maximum number of ballasts per MCB stated by the lamp and ballast manufacturers in their catalogues should be taken into account during installation.

#### Impact of height:

	≤2,000 m	3,000 m	4,000 m	5,000 m
Dielectric strength	2,000 V	1,750 V	1,500 V	1,250 V
Maximum operating voltage	230 V	230 V	230 V	230 V
Derating at 30°C	none	none	none	none

#### Power dissipated in W for the phase pole in In:

- . MCBs in In/Un

Rated current	0.5 A	1 A	2 A	3 A	4 A	6 A	10 A	13 A	16 A	20 A	25 A	32 A	40 A
Power (W) Phase pole	2.2	2.4	2.4	2.1	2.6	2.5	1.6	3.1	3.3	4	4.2	3.3	5.6
Power (W) Neutral pole	0.001	0.003	0.02	0.03	0.05	0.1	0.3	0.6	1.1	1.2	1.1	1.6	2.8

# DX<sup>3</sup> MCB 6000 A / 10 kA

## Phase + Neutral, neutral on right side

Cat. N°(s): 4 074 67 / 68 / 69 / 70 / 71 / 72 / 73 / 74 / 75 / 76 / 77 / 78 / 79 ; 4 077 33 / 34 / 35 / 36 / 37 / 38 / 40 / 41 / 42 / 43 / 44 / 45 / 46

### 5. GENERAL CHARACTERISTICS *(continued)*

#### Derating of MCBs depending on the ambient temperature:

. The nominal characteristics of a circuit breaker are modified depending on the ambient temperature which prevails in the cabinet or enclosure where the MCB is located.

. Reference temperature: 30°C in accordance with standard EN/IEC 60898-1.

In (A)	-10°C	0°C	10°C	20°C	30°C	40°C	50°C	60°C	70°C
0.5	0.6	0.57	0.55	0.52	0.5	0.47	0.45	0.42	0.4
1	1.2	1.15	1.1	1.05	1	0.95	0.9	0.85	0.8
2	2.4	2.3	2.2	2.1	2	1.9	1.8	1.7	1.6
3	3.6	3.45	3.3	3.15	3	2.8	2.7	2.55	2.4
4	4.8	4.6	4.4	4.2	4	3.8	3.6	3.4	3.2
6	7.2	6.9	6.6	6.3	6	5.7	5.4	5.1	4.8
10	12	11.5	11	10.5	10	9.5	9	8.5	8
13	15.6	14.95	14.3	13.65	13	12.35	11.7	11.05	10.4
16	19.2	18.4	17.6	16.8	16	15.2	14.4	13.6	12.8
20	24	23	22	21	20	19	18	17	16
25	30	28.7	27.5	26.2	25	23.7	22.5	21.2	20
32	38.4	36.8	35.2	33.6	32	30.4	28.8	27.2	25.6
40	48	46	44	42	40	38	36	34	32

#### Association and coordination of a MCB with a protective device located upstream:

This association allows a device's breaking capacity to be increased by combining it with another protective device placed upstream.

This combination makes it possible to use a downstream device with a breaking capacity which is lower than the maximum prospective short-circuit current at its installation point.

#### Association and coordination with upstream fuses:

. Three-phase network (+N) 230/400 V or 240/415 V in accordance with standard EN/IEC 60947-2

. TT neutral earthing or TNS system

		Upstream fuse									
		gG and aM types									
Downstream MCB		≤20 A	25 A	32 A	40 A	50 A	63 A	80 A	100 A	125 A	160 A
DX <sup>3</sup> P+N 6000/10 kA C and B curves	≤6 A	50 kA	50 kA	50 kA	50 kA	50 kA	25 kA	25 kA	25 kA	25 kA	25 kA
	10 A	50 kA	50 kA	50 kA	50 kA	50 kA	25 kA	25 kA	25 kA	25 kA	25 kA
	13 A	50 kA	50 kA	50 kA	50 kA	50 kA	25 kA	25 kA	25 kA	25 kA	25 kA
	16 A	50 kA	50 kA	50 kA	50 kA	50 kA	25 kA	25 kA	25 kA	25 kA	25 kA
	20 A	-	50 kA	50 kA	50 kA	50 kA	25 kA	25 kA	25 kA	25 kA	25 kA
	25 A	-	-	50 kA	50 kA	50 kA	25 kA	25 kA	25 kA	25 kA	16 kA
	32 A	-	-	-	50 kA	50 kA	25 kA	25 kA	25 kA	25 kA	16 kA
	40 A	-	-	-	-	50 kA	25 kA	25 kA	25 kA	25 kA	16 kA

# DX<sup>3</sup> MCB 6000 A / 10 kA

## Phase + Neutral, neutral on right side

Cat. N°(s): 4 074 67 / 68 / 69 / 70 / 71 / 72 / 73 / 74 / 75 / 76 / 77 / 78 / 79 ; 4 077 33 / 34 / 35 / 36 / 37 / 38 / 40 / 41 / 42 / 43 / 44 / 45 / 46

### 5. GENERAL CHARACTERISTICS *(continued)*

#### Association and coordination with upstream MCBs:

- . Three-phase network (+N) 230/400 V or 240/415 V in accordance with standard EN/IEC 60947-2
- . TT neutral earthing or TNS system

		Upstream MCB				
		DX <sup>3</sup> 10000/16 kA C curve Ph+N 1 module	DX <sup>3</sup> 10kA - DX <sup>3</sup> 6000/10 kA B, C and D curves			
Downstream MCB		≤20 A	≤32 A	40 A	50 A	63 A
DX <sup>3</sup> P+N 6000/10 kA C and B curves	≤6 A	16 kA	25 kA	25 kA	25 kA	25 kA
	10 A	16 kA	25 kA	25 kA	25 kA	25 kA
	13 A	16 kA	25 kA	25 kA	25 kA	25 kA
	16 A	16 kA	25 kA	25 kA	25 kA	25 kA
	20 A	-	25 kA	25 kA	25 kA	25 kA
	25 A	-	25 kA	25 kA	25 kA	25 kA
	32 A	-	-	25 kA	25 kA	25 kA
	40 A	-	-	-	25 kA	25 kA

		Upstream MCB							
		DX <sup>3</sup> 10000/16 kA B, C and D curves							
Downstream MCB		≤25 A	32 A	40 A	50 A	63 A	80 A	100 A	125 A
DX <sup>3</sup> P+N 6000/10 kA C and B curves	≤6 A	32 kA	32 kA	25 kA	25 kA	25 kA	25 kA	25 kA	25 kA
	10 A	32 kA	32 kA	25 kA	25 kA	25 kA	25 kA	25 kA	25 kA
	13 A	32 kA	32 kA	25 kA	25 kA	25 kA	25 kA	25 kA	25 kA
	16 A	32 kA	32 kA	25 kA	25 kA	25 kA	25 kA	25 kA	25 kA
	20 A	32 kA	32 kA	25 kA	25 kA	25 kA	25 kA	25 kA	25 kA
	25 A	-	32 kA	25 kA	25 kA	25 kA	25 kA	25 kA	25 kA
	32 A	-	-	25 kA	25 kA	25 kA	25 kA	25 kA	25 kA
	40 A	-	-	-	25 kA	25 kA	25 kA	25 kA	25 kA

# DX<sup>3</sup> MCB 6000 A / 10 kA

## Phase + Neutral, neutral on right side

Cat. N°(s): 4 074 67 / 68 / 69 / 70 / 71 / 72 / 73 / 74 / 75 / 76 / 77 / 78 / 79 ; 4 077 33 / 34 / 35 / 36 / 37 / 38 / 40 / 41 / 42 / 43 / 44 / 45 / 46

### 5. GENERAL CHARACTERISTICS *(continued)*

#### Association and coordination with upstream MCBs:

- . Three-phase network (+N) 230/400 V or 240/415 V in accordance with standard EN/IEC 60947-2
- . TT neutral earthing or TNS system

		Upstream MCB							
		DX <sup>3</sup> 25 kA B, C and D curves							
Downstream MCB		≤25 A	32 A	40 A	50 A	63 A	80 A	100 A	125 A
DX <sup>3</sup> P+N 6000/10 kA C and B curves	≤6 A	50 kA	50 kA	25 kA	25 kA	25 kA	25 kA	25 kA	25 kA
	10 A	50 kA	50 kA	25 kA	25 kA	25 kA	25 kA	25 kA	25 kA
	13 A	50 kA	50 kA	25 kA	25 kA	25 kA	25 kA	25 kA	25 kA
	16 A	50 kA	50 kA	25 kA	25 kA	25 kA	25 kA	25 kA	25 kA
	20 A	50 kA	50 kA	25 kA	25 kA	25 kA	25 kA	25 kA	25 kA
	25 A	-	50 kA	25 kA	25 kA	25 kA	25 kA	25 kA	25 kA
	32 A	-	-	25 kA	25 kA	25 kA	25 kA	25 kA	25 kA
	40 A	-	-	-	25 kA	25 kA	25 kA	25 kA	25 kA

		Upstream MCB					
		DX <sup>3</sup> 36 kA C curve					
Downstream MCB		≤25 A	32 A	40 A	50 A	63 A	80 A
DX <sup>3</sup> P+N 6000/10 kA C and B curves	≤6 A	50 kA	50 kA	50 kA	50 kA	50 kA	50 kA
	10 A	50 kA	50 kA	50 kA	50 kA	50 kA	50 kA
	13 A	50 kA	50 kA	50 kA	50 kA	50 kA	50 kA
	16 A	50 kA	50 kA	50 kA	50 kA	50 kA	50 kA
	20 A	50 kA	50 kA	50 kA	50 kA	50 kA	50 kA
	25 A	-	50 kA	50 kA	50 kA	50 kA	50 kA
	32 A	-	-	50 kA	50 kA	50 kA	50 kA
	40 A	-	-	-	50 kA	50 kA	50 kA

# DX<sup>3</sup> MCB 6000 A / 10 kA

## Phase + Neutral, neutral on right side

Cat. N°(s): 4 074 67 / 68 / 69 / 70 / 71 / 72 / 73 / 74 / 75 / 76 / 77 / 78 / 79 ; 4 077 33 / 34 / 35 / 36 / 37 / 38 / 40 / 41 / 42 / 43 / 44 / 45 / 46

### 5. GENERAL CHARACTERISTICS *(continued)*

#### Association and coordination with upstream MCBs:

- . Three-phase network (+N) 230/400 V or 240/415 V in accordance with standard EN/IEC 60947-2
- . TT neutral earthing or TNS system

Downstream MCB		Upstream MCB									
		DX <sup>3</sup> 50 kA B and C curves					DX <sup>3</sup> 50 kA D curve				
		≤25 A	32 A	40 A	50 A	63 A	≤25 A	32 A	40 A	50 A	63 A
DX <sup>3</sup> P+N 6000/10 kA C and B curves	≤6 A	50 kA	50 kA	50 kA	50 kA	50 kA	50 kA	50 kA	50 kA	50 kA	50 kA
	10 A	50 kA	50 kA	50 kA	50 kA	50 kA	50 kA	50 kA	50 kA	50 kA	50 kA
	13 A	50 kA	50 kA	50 kA	50 kA	50 kA	50 kA	50 kA	50 kA	50 kA	50 kA
	16 A	50 kA	50 kA	50 kA	50 kA	50 kA	50 kA	50 kA	50 kA	50 kA	50 kA
	20 A	50 kA	50 kA	50 kA	50 kA	50 kA	50 kA	50 kA	50 kA	50 kA	50 kA
	25 A	-	50 kA	50 kA	50 kA	50 kA	-	50 kA	50 kA	50 kA	50 kA
	32 A	-	-	50 kA	50 kA	50 kA	-	-	-	-	50 kA
	40 A	-	-	-	50 kA	50 kA	-	-	-	-	-

#### Association and coordination with upstream Moulded Case Circuit Breakers (MCCBs):

- . Three-phase network (+N) 230/400 V or 240/415 V in accordance with standard EN/IEC 60947-2
- . TT neutral earthing or TNS system

Downstream MCB		Upstream MCCB							
		DPX <sup>3</sup> 160 16 kA							
		16 A	25 A	40 A	63 A	80 A	100 A	125 A	160 A
DX <sup>3</sup> P+N 6000/10 kA C and B curves	≤8 A	22 kA	22 kA	22 kA	22 kA	22 kA	22 kA	22 kA	22 kA
	10 A	22 kA	22 kA	22 kA	22 kA	22 kA	22 kA	22 kA	22 kA
	13 A	22 kA	22 kA	22 kA	22 kA	22 kA	22 kA	22 kA	22 kA
	16 A	-	22 kA	22 kA	22 kA	22 kA	22 kA	22 kA	22 kA
	20 A	-	22 kA	22 kA	22 kA	22 kA	22 kA	22 kA	22 kA
	25 A	-	-	22 kA	22 kA	22 kA	22 kA	22 kA	22 kA
	32 A	-	-	16 kA	16 kA	16 kA	16 kA	16 kA	16 kA
	40 A	-	-	-	16 kA	16 kA	16 kA	16 kA	16 kA



# DX<sup>3</sup> MCB 6000 A / 10 kA

## Phase + Neutral, neutral on right side

Cat. N°(s): 4 074 67 / 68 / 69 / 70 / 71 / 72 / 73 / 74 / 75 / 76 / 77 / 78 / 79 ; 4 077 33 / 34 / 35 / 36 / 37 / 38 / 40 / 41 / 42 / 43 / 44 / 45 / 46

### 5. GENERAL CHARACTERISTICS (continued)

#### Association and coordination with upstream Moulded Case Circuit Breakers (MCCBs):

- . Three-phase network (+N) 230/400 V or 240/415 V in accordance with standard EN/IEC 60947-2
- . TT neutral earthing or TNS system

		Upstream MCCB							
		DPX <sup>3</sup> 160 25 kA/36 kA & 50 kA							
Downstream MCB		16 A	25 A	40 A	63 A	80 A	100 A	125 A	160 A
DX <sup>3</sup> P+N 6000/10 kA C and B curves	≤6 A	30 kA	30 kA	30 kA	30 kA	30 kA	30 kA	30 kA	30 kA
	10 A	30 kA	30 kA	30 kA	30 kA	30 kA	30 kA	30 kA	30 kA
	13 A	30 kA	30 kA	30 kA	30 kA	30 kA	30 kA	30 kA	30 kA
	16 A	-	30 kA	30 kA	30 kA	30 kA	30 kA	30 kA	30 kA
	20 A	-	30 kA	30 kA	30 kA	30 kA	30 kA	30 kA	30 kA
	25 A	-	-	25 kA	25 kA	25 kA	25 kA	25 kA	25 kA
	32 A	-	-	16 kA	16 kA	16 kA	16 kA	16 kA	16 kA
	40 A	-	-	-	16 kA	16 kA	16 kA	16 kA	16 kA

		Upstream MCCB						
		DPX 250 ER ≤ 50 kA			DPX 250 ER AB 36 kA			
Downstream MCB		100 A	160 A	250 A	90 A	130 A	170 A	240 A
DX <sup>3</sup> P+N 6000/10 kA C and B curves	≤6 A	30 kA	30 kA	30 kA	30 kA	30 kA	30 kA	30 kA
	10 A	30 kA	30 kA	30 kA	30 kA	30 kA	30 kA	30 kA
	13 A	30 kA	30 kA	30 kA	30 kA	30 kA	30 kA	30 kA
	16 A	25 kA	25 kA	25 kA	25 kA	25 kA	25 kA	25 kA
	20 A	25 kA	25 kA	25 kA	25 kA	25 kA	25 kA	25 kA
	25 A	20 kA	20 kA	20 kA	20 kA	20 kA	20 kA	20 kA
	32 A	10 kA	10 kA	10 kA	10 kA	10 kA	10 kA	10 kA
	40 A	10 kA	10 kA	10 kA	10 kA	10 kA	10 kA	10 kA

# DX<sup>3</sup> MCB 6000 A / 10 kA

## Phase + Neutral, neutral on right side

Cat. N°(s): 4 074 67 / 68 / 69 / 70 / 71 / 72 / 73 / 74 / 75 / 76 / 77 / 78 / 79 ; 4 077 33 / 34 / 35 / 36 / 37 / 38 / 40 / 41 / 42 / 43 / 44 / 45 / 46

### 5. GENERAL CHARACTERISTICS (continued)

#### Association and coordination with upstream Moulded Case Circuit Breakers (MCCBs):

- . Three-phase network (+N) 230/400 V or 240/415 V in accordance with standard EN/IEC 60947-2
- . TT neutral earthing or TNS system

		Upstream MCCB							
		DPX <sup>3</sup> 250 ≤ 70 kA thermal-magnetic				DPX <sup>3</sup> 250 ≤ 70 kA electronic			
Downstream MCB		100 A	160 A	200 A	250 A	40 A	100 A	160 A	250 A
DX <sup>3</sup> P+N 6000/10 kA C and B curves	≤6 A	30 kA	30 kA	30 kA	30 kA	30 kA	30 kA	30 kA	30 kA
	10 A	30 kA	30 kA	30 kA	30 kA	30 kA	30 kA	30 kA	30 kA
	13 A	30 kA	30 kA	30 kA	30 kA	30 kA	30 kA	30 kA	30 kA
	16 A	30 kA	30 kA	30 kA	30 kA	30 kA	30 kA	30 kA	30 kA
	20 A	30 kA	30 kA	30 kA	30 kA	30 kA	30 kA	30 kA	30 kA
	25 A	25 kA	25 kA	25 kA	25 kA	25 kA	25 kA	25 kA	25 kA
	32 A	16 kA	16 kA	16 kA	16 kA	16 kA	16 kA	16 kA	16 kA
	40 A	16 kA	16 kA	16 kA	16 kA	-	16 kA	16 kA	16 kA

		Upstream MCCB									
		DPX 250 36 kA / DPX -H 250 70 kA / DPX -L 250 100 kA thermal-magnetic						DPX 250 36 kA / DPX -H 250 70 kA / DPX -L 250 100 kA electronic			
Downstream MCB		25 A	40 A	63 A	100 A	160 A	250 A	40 A	100 A	160 A	250 A
DX <sup>3</sup> P+N 6000/10 kA C and B curves	≤6 A	30 kA	30 kA	30 kA	30 kA	30 kA	30 kA	30 kA	30 kA	30 kA	30 kA
	10 A	30 kA	30 kA	30 kA	30 kA	30 kA	30 kA	30 kA	30 kA	30 kA	30 kA
	13 A	30 kA	30 kA	30 kA	30 kA	30 kA	30 kA	30 kA	30 kA	30 kA	30 kA
	16 A	30 kA	30 kA	30 kA	30 kA	30 kA	30 kA	30 kA	30 kA	30 kA	30 kA
	20 A	30 kA	30 kA	30 kA	30 kA	30 kA	30 kA	30 kA	30 kA	30 kA	30 kA
	25 A	-	25 kA	25 kA	25 kA	25 kA	25 kA	25 kA	25 kA	25 kA	25 kA
	32 A	-	16 kA	16 kA	16 kA	16 kA	16 kA	16 kA	16 kA	16 kA	16 kA
	40 A	-	-	16 kA	16 kA	16 kA	16 kA	-	16 kA	16 kA	16 kA

# DX<sup>3</sup> MCB 6000 A / 10 kA

## Phase + Neutral, neutral on right side

Cat. N°(s): 4 074 67 / 68 / 69 / 70 / 71 / 72 / 73 / 74 / 75 / 76 / 77 / 78 / 79 ; 4 077 33 / 34 / 35 / 36 / 37 / 38 / 40 / 41 / 42 / 43 / 44 / 45 / 46

### 5. GENERAL CHARACTERISTICS *(continued)*

#### Association and coordination with upstream Moulded Case Circuit Breakers (MCCBs):

- . Three-phase network (+N) 230/400 V or 240/415 V in accordance with standard EN/IEC 60947-2
- . TT neutral earthing or TNS system

		Upstream MCCB	
		DPX 400 AB 36 kA	
Downstream MCB		320 A	400 A
DX <sup>3</sup> P+N 6000/10 kA C and B curves	≤6 A	25 kA	25 kA
	10 A	25 kA	25 kA
	13 A	25 kA	25 kA
	16 A	25 kA	25 kA
	20 A	25 kA	25 kA
	25 A	20 kA	20 kA
	32 A	10 kA	10 kA
	40 A	10 kA	10 kA

		Upstream MCCB								
		DPX 630 36 kA / DPX -H 630 70 kA / DPX -L 630 100 kA thermal-magnetic					DPX 630 36 kA / DPX -H 630 70 kA / DPX -L 630 100 kA electronic			
Downstream MCB		250 A	320 A	400 A	500 A	630 A	160 A	250 A	400 A	630 A
DX <sup>3</sup> P+N 6000/10 kA C and B curves	≤6 A	25 kA	25 kA	25 kA	25 kA	25 kA	25 kA	25 kA	25 kA	25 kA
	10 A	25 kA	25 kA	25 kA	25 kA	25 kA	25 kA	25 kA	25 kA	25 kA
	13 A	25 kA	25 kA	25 kA	25 kA	25 kA	25 kA	25 kA	25 kA	25 kA
	16 A	25 kA	25 kA	25 kA	25 kA	25 kA	25 kA	25 kA	25 kA	25 kA
	20 A	25 kA	25 kA	25 kA	25 kA	25 kA	25 kA	25 kA	25 kA	25 kA
	25 A	20 kA	20 kA	20 kA	20 kA	20 kA	20 kA	20 kA	20 kA	20 kA
	32 A	10 kA	10 kA	10 kA	10 kA	10 kA	10 kA	10 kA	10 kA	10 kA
	40 A	10 kA	10 kA	10 kA	10 kA	10 kA	10 kA	10 kA	10 kA	10 kA

**DX<sup>3</sup> MCB 6000 A / 10 kA**  
**Phase + Neutral, neutral on right side**

Cat. N°(s): 4 074 67 / 68 / 69 / 70 / 71 / 72 / 73 / 74 / 75 / 76  
 / 77 / 78 / 79 ; 4 077 33 / 34 / 35 / 36 / 37 / 38 / 40 / 41 / 42 /  
 43 / 44 / 45 / 46

**5. GENERAL CHARACTERISTICS** *(continued)*

**Association and coordination with upstream Moulded Case Circuit Breakers (MCCBs):**

- . Three-phase network (+N) 230/400 V or 240/415 V in accordance with standard IEC 60947-2
- . TT neutral earthing or TNS system

		Upstream MCCB	
		DPX 1250 50 kA / DPX -H 1250 70 kA / DPX -L 1250 100 kA	DPX 1600 36 kA / DPX -H 1600 70 kA electronic
Downstream MCB		500 A to 1,250 A	630 A to 1,600 A
DX <sup>3</sup> P+N 6000/10 kA C and B curves	≤6 A	<b>25 kA</b>	<b>25 kA</b>
	10 A	<b>25 kA</b>	<b>25 kA</b>
	13 A	<b>25 kA</b>	<b>25 kA</b>
	16 A	<b>25 kA</b>	<b>25 kA</b>
	20 A	<b>25 kA</b>	<b>25 kA</b>
	25 A	<b>20 kA</b>	<b>20 kA</b>
	32 A	<b>10 kA</b>	<b>10 kA</b>
	40 A	<b>10 kA</b>	<b>10 kA</b>

# DX<sup>3</sup> MCB 6000 A / 10 kA

## Phase + Neutral, neutral on right side

Cat. N°(s): 4 074 67 / 68 / 69 / 70 / 71 / 72 / 73 / 74 / 75 / 76 / 77 / 78 / 79 ; 4 077 33 / 34 / 35 / 36 / 37 / 38 / 40 / 41 / 42 / 43 / 44 / 45 / 46

### 5. GENERAL CHARACTERISTICS *(continued)*

#### Selectivity between two levels of protection

- . The downstream MCB must always have a magnetic threshold and a rated current lower than those of the upstream protection.
- . Selectivity or Discrimination is said to be total (T) if there is discrimination up to the value of breaking capacity (in accordance with standard EN/IEC 60947-2) of the downstream MCB.

#### Discrimination with upstream fuses:

- . Discrimination limit with a voltage of 230 V ~ (Values in A)

		Upstream fuse							
		gG cartridge							
Downstream MCB		32 A	40 A	50 A	63 A	80 A	100 A	125 A	160 A
DX <sup>3</sup> P+N 6000/10 kA C and B curves	≤ 6 A	1300	1900	2500	4000	4600	T	T	T
	10 A	-	1600	2200	3200	3600	7000	T	T
	13 A	-	1400	1800	2600	3000	5600	8000	T
	16 A	-	1400	1800	2600	3000	5600	8000	T
	20 A	-	1200	1500	2200	2500	4600	6300	10000
	25 A	-	-	1300	2000	2200	4100	5500	9000
	32 A	-	-	1200	1700	1900	3500	4500	8000
	40 A	-	-	-	-	1700	3000	4000	6000

		Upstream fuse								
		aM cartridge								
Downstream MCB		25 A	32 A	40 A	50 A	63 A	80 A	100 A	125 A	160 A
DX <sup>3</sup> P+N 6000/10 kA C and B curves	≤ 6 A	1000	1600	2100	3200	6200	T	T	T	T
	10 A	-	1100	1700	2500	5000	7800	T	T	T
	13 A	-	1000	1400	2100	4000	6000	9000	T	T
	16 A	-	1000	1400	2100	4000	6000	9000	T	T
	20 A	-	-	1300	1800	3400	5100	7000	T	T
	25 A	-	-	1100	1600	3000	4500	6000	9300	T
	32 A	-	-	-	1300	2400	3800	5000	7700	9000
	40 A	-	-	-	-	2100	3100	4200	6400	7000

- . T = Total discrimination

# DX<sup>3</sup> MCB 6000 A / 10 kA

## Phase + Neutral, neutral on right side

Cat. N°(s): 4 074 67 / 68 / 69 / 70 / 71 / 72 / 73 / 74 / 75 / 76 / 77 / 78 / 79 ; 4 077 33 / 34 / 35 / 36 / 37 / 38 / 40 / 41 / 42 / 43 / 44 / 45 / 46

### 5. GENERAL CHARACTERISTICS (continued)

#### Discrimination with upstream MCBs:

. Discrimination limit with a voltage of 230 V ~ (Values in A)

Downstream MCB		Upstream MCB											
		DX <sup>3</sup> 4500/6 kA - DX <sup>3</sup> 6000/10 kA - DX <sup>3</sup> 10000/16 kA											
		B curve											
		10 A	13 A	16 A	20 A	25 A	32 A	40 A	50 A	63 A	80 A	100 A	125 A
DX <sup>3</sup> P+N 6000/10 kA C and B curves	≤6 A	-	52	64	80	100	128	160	200	252	4000	T	T
	10 A	-	-	-	80	100	128	160	200	252	3000	5000	T
	13 A	-	-	-	-	100	128	160	200	252	2500	4000	T
	16 A	-	-	-	-	-	128	160	200	252	2000	3600	5500
	20 A	-	-	-	-	-	-	160	200	252	1600	3000	4000
	25 A	-	-	-	-	-	-	-	200	252	1300	2400	3300
	32 A	-	-	-	-	-	-	-	-	252	1000	1800	2700
	40 A	-	-	-	-	-	-	-	-	-	800	1600	2400

Downstream MCB		Upstream MCB											
		DX <sup>3</sup> 3000 - DX <sup>3</sup> 4500/4.5 kA - DX <sup>3</sup> 4500/6 kA - DX <sup>3</sup> 6000/10 kA - DX <sup>3</sup> 10000/16 kA											
		C curve											
		10 A	13 A	16 A	20 A	25 A	32 A	40 A	50 A	63 A	80 A	100 A	125 A
DX <sup>3</sup> P+N 6000/10 kA C and B curves	≤6 A	75	98	120	150	187	240	300	375	472	4000*	T*	T*
	10 A	-	98	120	150	187	240	300	375	472	3000	5000*	T*
	13 A	-	-	120	150	187	240	300	375	472	2500	4000*	6000*
	16 A	-	-	-	150	187	240	300	375	472	2000	3600*	5500*
	20 A	-	-	-	-	187	240	300	375	472	1600	3000	4000*
	25 A	-	-	-	-	-	240	300	375	472	1300	2400	3300*
	32 A	-	-	-	-	-	-	300	375	472	1000	1800	2700
	40 A	-	-	-	-	-	-	-	375	472	800	1600	2400

. T = Total discrimination

. \*: If the discrimination value stated in the table is greater than the breaking capacity of the upstream circuit breaker then the breaking capacity of the upstream device must be taken as the discrimination value (the discrimination value may not exceed the breaking capacity of the upstream device).

# DX<sup>3</sup> MCB 6000 A / 10 kA

## Phase + Neutral, neutral on right side

Cat. N°(s): 4 074 67 / 68 / 69 / 70 / 71 / 72 / 73 / 74 / 75 / 76 / 77 / 78 / 79 ; 4 077 33 / 34 / 35 / 36 / 37 / 38 / 40 / 41 / 42 / 43 / 44 / 45 / 46

### 5. GENERAL CHARACTERISTICS (continued)

#### Discrimination with upstream MCBs:

Discrimination limit with a voltage of 230 V ~ (Values in A)

Downstream MCB		Upstream MCB											
		DX <sup>3</sup> 4500/6 kA - DX <sup>3</sup> 6000A - DX <sup>3</sup> 6000/10 kA - DX <sup>3</sup> 10000/16 kA											
		D curve											
		10 A	13 A	16 A	20 A	25 A	32 A	40 A	50 A	63 A	80 A	100 A	125 A
DX <sup>3</sup> P+N 6000/10 kA C and B curves	≤6A	<b>120</b>	<b>156</b>	<b>192</b>	<b>240</b>	<b>300</b>	<b>384</b>	<b>480</b>	<b>600</b>	<b>756</b>	<b>4000</b>	<b>T</b>	<b>T</b>
	10 A	-	-	<b>192</b>	<b>240</b>	<b>300</b>	<b>384</b>	<b>480</b>	<b>600</b>	<b>756</b>	<b>3000</b>	<b>5000</b>	<b>T</b>
	13 A	-	-	-	<b>240</b>	<b>300</b>	<b>384</b>	<b>480</b>	<b>600</b>	<b>756</b>	<b>2500</b>	<b>4000</b>	<b>6000</b>
	16 A	-	-	-	<b>240</b>	<b>300</b>	<b>384</b>	<b>480</b>	<b>600</b>	<b>756</b>	<b>2000</b>	<b>3600</b>	<b>5500</b>
	20 A	-	-	-	-	<b>300</b>	<b>384</b>	<b>480</b>	<b>600</b>	<b>756</b>	<b>1600</b>	<b>3000</b>	<b>4000</b>
	25 A	-	-	-	-	-	<b>384</b>	<b>480</b>	<b>600</b>	<b>756</b>	<b>1300</b>	<b>2400</b>	<b>3300</b>
	32 A	-	-	-	-	-	-	<b>480</b>	<b>600</b>	<b>756</b>	<b>1100</b>	<b>1450</b>	<b>2700</b>
	40 A	-	-	-	-	-	-	-	<b>600</b>	<b>756</b>	<b>1000</b>	<b>1250</b>	<b>2400</b>

Downstream MCB		Upstream MCB										
		DX <sup>3</sup> 25 kA										
		B curve										
		10 A	16 A	20 A	25 A	32 A	40 A	50 A	63 A	80 A	100 A	125 A
DX <sup>3</sup> P+N 6000/10 kA C and B curves	≤6 A	-	<b>64</b>	<b>80</b>	<b>100</b>	<b>700</b>	<b>1200</b>	<b>1500</b>	<b>3000</b>	<b>4000</b>	<b>T</b>	<b>T</b>
	10 A	-	-	<b>80</b>	<b>100</b>	<b>500</b>	<b>700</b>	<b>1000</b>	<b>1800</b>	<b>3000</b>	<b>5000</b>	<b>T</b>
	13 A	-	-	-	<b>100</b>	<b>400</b>	<b>600</b>	<b>1200</b>	<b>1500</b>	<b>2500</b>	<b>4000</b>	<b>6000</b>
	16 A	-	-	-	-	<b>300</b>	<b>500</b>	<b>700</b>	<b>1300</b>	<b>2000</b>	<b>3600</b>	<b>5500</b>
	20 A	-	-	-	-	-	<b>400</b>	<b>500</b>	<b>1000</b>	<b>1600</b>	<b>3000</b>	<b>4000</b>
	25 A	-	-	-	-	-	-	<b>500</b>	<b>800</b>	<b>1300</b>	<b>2400</b>	<b>3300</b>
	32 A	-	-	-	-	-	-	<b>500</b>	<b>600</b>	<b>1000</b>	<b>1800</b>	<b>2700</b>
	40 A	-	-	-	-	-	-	-	<b>600</b>	<b>800</b>	<b>1600</b>	<b>2400</b>

. T = Total discrimination

# DX<sup>3</sup> MCB 6000 A / 10 kA

## Phase + Neutral, neutral on right side

Cat. N°(s): 4 074 67 / 68 / 69 / 70 / 71 / 72 / 73 / 74 / 75 / 76 / 77 / 78 / 79 ; 4 077 33 / 34 / 35 / 36 / 37 / 38 / 40 / 41 / 42 / 43 / 44 / 45 / 46

### 5. GENERAL CHARACTERISTICS *(continued)*

#### Discrimination with upstream MCBs:

Discrimination limit with a voltage of 230 V ~ (Values in A)

		Upstream MCB										
		DX <sup>3</sup> 25 kA C curve										
Downstream MCB		10 A	16 A	20 A	25 A	32 A	40 A	50 A	63 A	80 A	100 A	125 A
DX <sup>3</sup> P+N 6000/10 kA C and B curves	≤6 A	<b>75</b>	<b>120</b>	<b>150</b>	<b>187</b>	<b>700</b>	<b>1200</b>	<b>1500</b>	<b>3000</b>	<b>4000</b>	<b>T</b>	<b>T</b>
	10 A	-	<b>120</b>	<b>150</b>	<b>187</b>	<b>500</b>	<b>700</b>	<b>1000</b>	<b>1800</b>	<b>3000</b>	<b>5000</b>	<b>T</b>
	13 A	-	<b>120</b>	<b>150</b>	<b>187</b>	<b>400</b>	<b>600</b>	<b>1200</b>	<b>1500</b>	<b>250</b>	<b>4000</b>	<b>6000</b>
	16 A	-	-	<b>150</b>	<b>187</b>	<b>300</b>	<b>500</b>	<b>700</b>	<b>1300</b>	<b>2000</b>	<b>3600</b>	<b>5500</b>
	20 A	-	-	-	<b>187</b>	<b>300</b>	<b>400</b>	<b>500</b>	<b>1000</b>	<b>1600</b>	<b>3000</b>	<b>4000</b>
	25 A	-	-	-	-	<b>240</b>	<b>400</b>	<b>500</b>	<b>800</b>	<b>1300</b>	<b>2400</b>	<b>3300</b>
	32 A	-	-	-	-	-	<b>300</b>	<b>500</b>	<b>600</b>	<b>1000</b>	<b>1800</b>	<b>2700</b>
	40 A	-	-	-	-	-	-	<b>400</b>	<b>600</b>	<b>800</b>	<b>1600</b>	<b>2400</b>

		Upstream MCB										
		DX <sup>3</sup> 25 kA D curve										
Downstream MCB		10 A	16 A	20 A	25 A	32 A	40 A	50 A	63 A	80 A	100 A	125 A
DX <sup>3</sup> P+N 6000/10 kA C and B curves	≤6 A	<b>120</b>	<b>192</b>	<b>240</b>	<b>500</b>	<b>700</b>	<b>1200</b>	<b>1500</b>	<b>3000</b>	<b>4000</b>	<b>T</b>	<b>T</b>
	10 A	-	<b>192</b>	<b>240</b>	<b>300</b>	<b>500</b>	<b>700</b>	<b>1000</b>	<b>1800</b>	<b>3000</b>	<b>5000</b>	<b>T</b>
	13 A	-	-	<b>240</b>	<b>300</b>	<b>400</b>	<b>600</b>	<b>1200</b>	<b>1500</b>	<b>2500</b>	<b>4000</b>	<b>6000</b>
	16 A	-	-	<b>240</b>	<b>300</b>	<b>384</b>	<b>500</b>	<b>700</b>	<b>1300</b>	<b>2000</b>	<b>3600</b>	<b>5500</b>
	20 A	-	-	-	<b>300</b>	<b>384</b>	<b>480</b>	<b>600</b>	<b>1000</b>	<b>1600</b>	<b>3000</b>	<b>4000</b>
	25 A	-	-	-	-	<b>384</b>	<b>480</b>	<b>600</b>	<b>800</b>	<b>1300</b>	<b>2400</b>	<b>3300</b>
	32 A	-	-	-	-	-	<b>480</b>	<b>600</b>	<b>756</b>	<b>1100</b>	<b>1450</b>	<b>2700</b>
	40 A	-	-	-	-	-	-	<b>600</b>	<b>756</b>	<b>1000</b>	<b>1250</b>	<b>2400</b>

. T = Total discrimination



# DX<sup>3</sup> MCB 6000 A / 10 kA

## Phase + Neutral, neutral on right side

Cat. N°(s): 4 074 67 / 68 / 69 / 70 / 71 / 72 / 73 / 74 / 75 / 76 / 77 / 78 / 79 ; 4 077 33 / 34 / 35 / 36 / 37 / 38 / 40 / 41 / 42 / 43 / 44 / 45 / 46

### 5. GENERAL CHARACTERISTICS *(continued)*

#### Discrimination with upstream modular MCBs:

Discrimination limit with a voltage of 230 V ~ (Values in A)

Downstream MCB		Upstream MCB							
		DX <sup>3</sup> 50 kA							
		B curve							
		10 A	16 A	20 A	25 A	32 A	40 A	50 A	63 A
DX <sup>3</sup> P+N 6000/10 kA C and B curves	≤6 A	-	<b>64</b>	<b>170</b>	<b>500</b>	<b>700</b>	<b>1200</b>	<b>1500</b>	<b>3000</b>
	10 A	-	-	<b>150</b>	<b>210</b>	<b>500</b>	<b>700</b>	<b>1200</b>	<b>1800</b>
	13 A	-	-	-	<b>200</b>	<b>400</b>	<b>600</b>	<b>1000</b>	<b>1500</b>
	16 A	-	-	-	-	<b>300</b>	<b>500</b>	<b>700</b>	<b>1300</b>
	20 A	-	-	-	-	-	<b>400</b>	<b>500</b>	<b>1000</b>
	25 A	-	-	-	-	-	-	<b>500</b>	<b>800</b>
	32 A	-	-	-	-	-	-	<b>500</b>	<b>600</b>
	40 A	-	-	-	-	-	-	-	<b>600</b>

Downstream MCB		Upstream MCB								
		DX <sup>3</sup> 50 kA								
		C curve								
		10 A	16 A	20 A	25 A	32 A	40 A	50 A	63 A	80 A
DX <sup>3</sup> P+N 6000/10 kA C and B curves	≤6 A	<b>75</b>	<b>120</b>	<b>170</b>	<b>500</b>	<b>700</b>	<b>1200</b>	<b>1500</b>	<b>3000</b>	<b>4000</b>
	10 A	-	<b>120</b>	<b>150</b>	<b>210</b>	<b>500</b>	<b>700</b>	<b>1200</b>	<b>1800</b>	<b>3000</b>
	13 A	-	<b>120</b>	<b>150</b>	<b>200</b>	<b>400</b>	<b>600</b>	<b>1000</b>	<b>1500</b>	<b>2500</b>
	16 A	-	-	<b>150</b>	<b>187</b>	<b>300</b>	<b>500</b>	<b>700</b>	<b>1300</b>	<b>2000</b>
	20 A	-	-	-	<b>187</b>	<b>300</b>	<b>400</b>	<b>500</b>	<b>1000</b>	<b>1600</b>
	25 A	-	-	-	-	<b>240</b>	<b>400</b>	<b>500</b>	<b>800</b>	<b>1300</b>
	32 A	-	-	-	-	-	<b>300</b>	<b>500</b>	<b>600</b>	<b>1000</b>
	40 A	-	-	-	-	-	-	<b>400</b>	<b>600</b>	<b>800</b>

. T = Total discrimination

# DX<sup>3</sup> MCB 6000 A / 10 kA

## Phase + Neutral, neutral on right side

Cat. N°(s): 4 074 67 / 68 / 69 / 70 / 71 / 72 / 73 / 74 / 75 / 76 / 77 / 78 / 79 ; 4 077 33 / 34 / 35 / 36 / 37 / 38 / 40 / 41 / 42 / 43 / 44 / 45 / 46

### 5. GENERAL CHARACTERISTICS *(continued)*

#### Discrimination with upstream MCBs:

Discrimination limit with a voltage of 230 V ~ (Values in A)

		Upstream MCB							
		DX <sup>3</sup> 50 kA D curve							
Downstream MCB		10 A	16 A	20 A	25 A	32 A	40 A	50 A	63 A
DX <sup>3</sup> P+N 6000/10 kA C and B curves	≤6 A	120	192	240	500	700	1200	1500	3000
	10 A	-	192	240	300	500	700	1200	1800
	13 A	-	192	240	300	400	600	1000	1500
	16 A	-	-	240	300	384	500	700	1300
	20 A	-	-	-	300	384	480	600	1000
	25 A	-	-	-	-	384	480	600	800
	32 A	-	-	-	-	-	480	600	756
	40 A	-	-	-	-	-	-	600	756

#### Discrimination with upstream Moulded Case Circuit Breakers (MCCBs):

Discrimination limit with a voltage of 230 V ~ (Values in A)

Downstream circuit breaker	Upstream MCCB	
	DX <sup>3</sup> P+N 6000/10 kA C and B curves	DPX and DPX <sup>3</sup> all models all ratings
	T	T

. T = Total discrimination

# DX<sup>3</sup> MCB 6000 A / 10 kA

## Phase + Neutral, neutral on right side

Cat. N°(s): 4 074 67 / 68 / 69 / 70 / 71 / 72 / 73 / 74 / 75 / 76  
/ 77 / 78 / 79 ; 4 077 33 / 34 / 35 / 36 / 37 / 38 / 40 / 41 / 42 /  
43 / 44 / 45 / 46

### 6. COMPLIANCE AND APPROVALS

#### In accordance with standards:

- . EN/IEC 60898-1

#### Usage in special conditions:

- . Category C compliant (testing temperature range from -25°C to +70°C, resistant to salt spray) in accordance with the classification defined in Appendix Q of standard IEC/EN 60947-1

#### Respect for the environment – Compliance with European Union Directives:

- . Compliance with Directive 2002/95/EC of 27/01/03 known as "RoHS" which provides for a restriction on the use of dangerous substances such as lead, mercury, cadmium, hexavalent chromium and polybrominated biphenyl (PBB) and polybrominated diphenyl ether (PBDE) brominated flame retardants from 1<sup>st</sup> July 2006
- . Compliance with the Directive 91/338/EEC of 18/06/91 and decree 94-647 of 27/07/04

#### Plastic materials:

- . Halogen free plastic materials.
- . Labelling of parts compliant with ISO 11469 and ISO 1043.

#### Packaging:

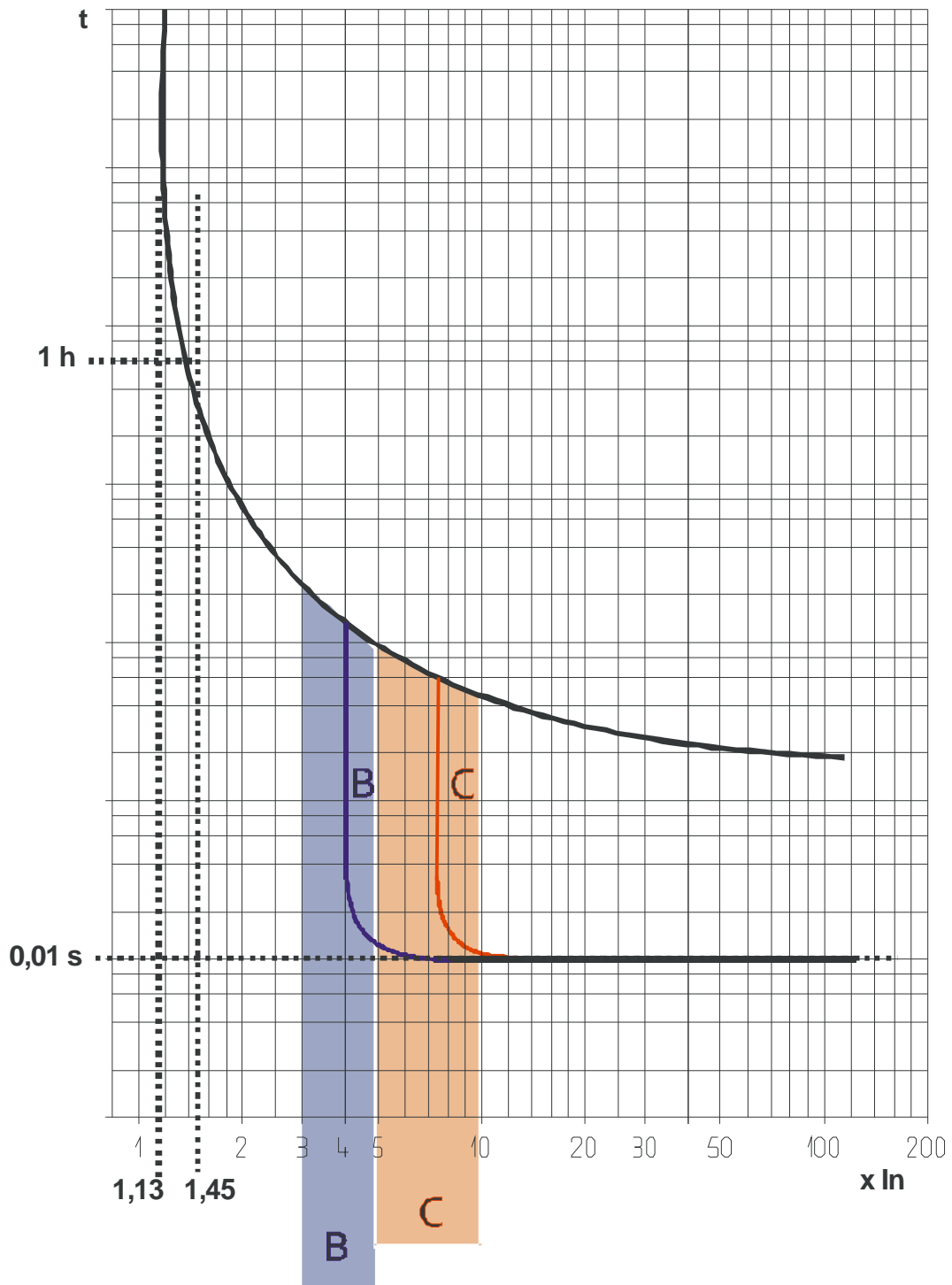
- . Design and manufacture of packaging compliant with decree 98-638 of 20/07/98 and Directive 94/62/EC

#### Approvals obtained:

- . Austria: OVE
- . Netherlands: KEMA

**7. CURVES**

Thermal-magnetic tripping curve range typical of B and C curve MCBs:



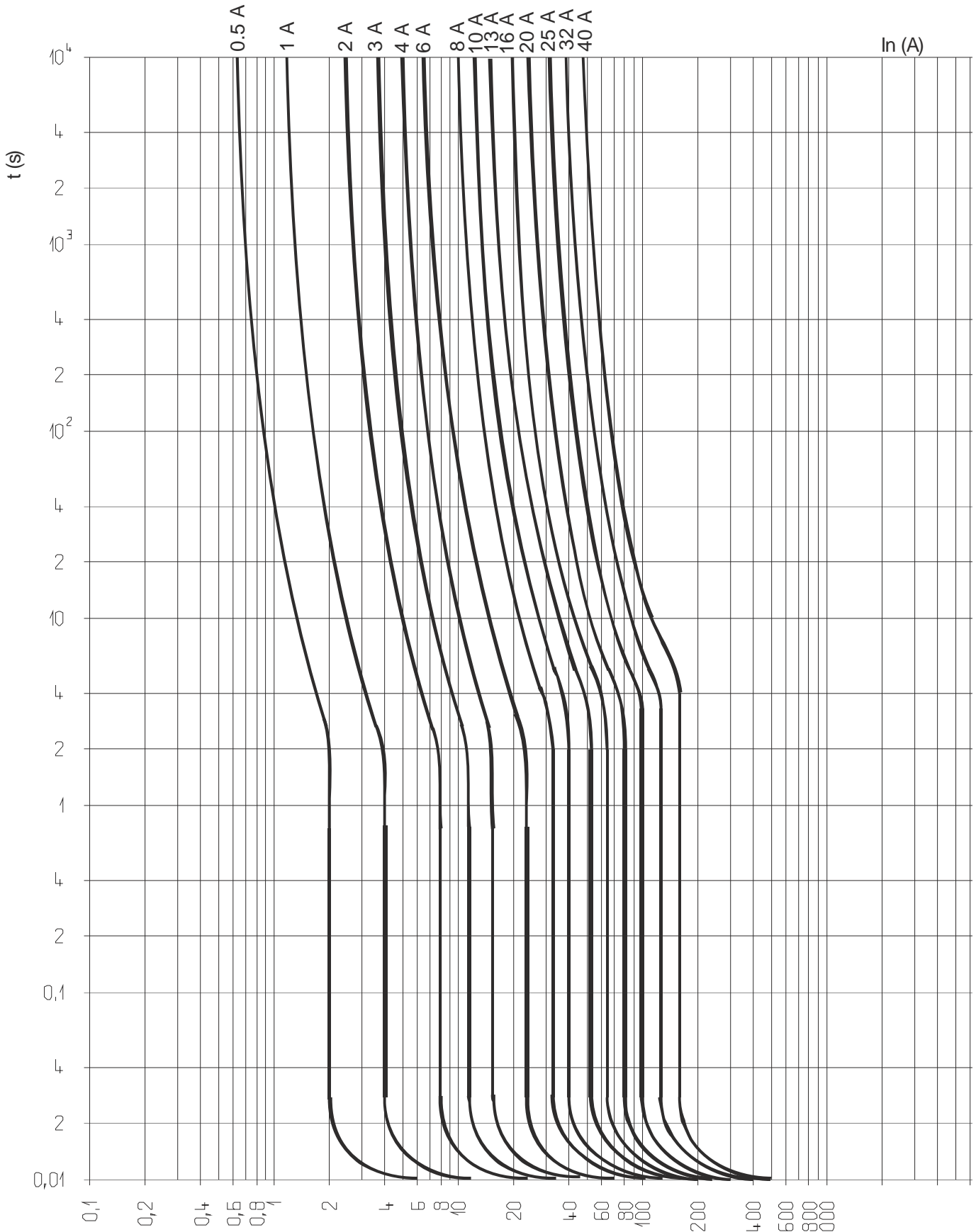
Thermal tripping at ambient temperature = 30°C  
 $I_n$  = circuit breaker rated current

**DX<sup>3</sup> MCB 6000 A / 10 kA**  
**Phase + Neutral, neutral on right side**

Cat. N°(s): 4 074 67 / 68 / 69 / 70 / 71 / 72 / 73 / 74 / 75 / 76  
 / 77 / 78 / 79 ; 4 077 33 / 34 / 35 / 36 / 37 / 38 / 40 / 41 / 42 /  
 43 / 44 / 45 / 46

**7. CURVES** *(continued)*

Average thermal-magnetic tripping curves range typical of B curve MCBs:

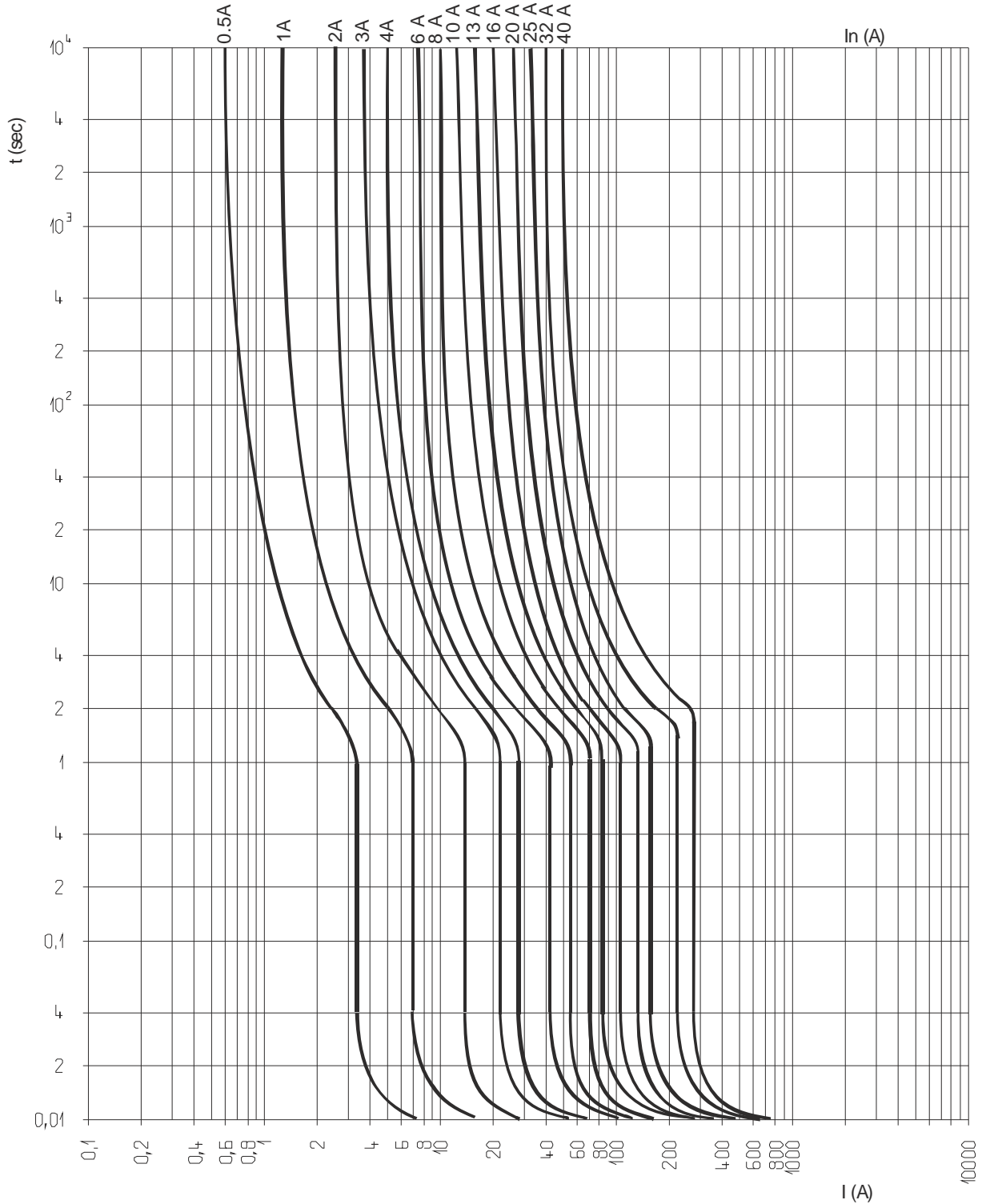


**DX<sup>3</sup> MCB 6000 A / 10 kA**  
**Phase + Neutral, neutral on right side**

Cat. N°(s): 4 074 67 / 68 / 69 / 70 / 71 / 72 / 73 / 74 / 75 / 76  
 / 77 / 78 / 79 ; 4 077 33 / 34 / 35 / 36 / 37 / 38 / 40 / 41 / 42 /  
 43 / 44 / 45 / 46

**7. CURVES** *(continued)*

Average thermal-magnetic tripping curves range typical of C curve MCBs:



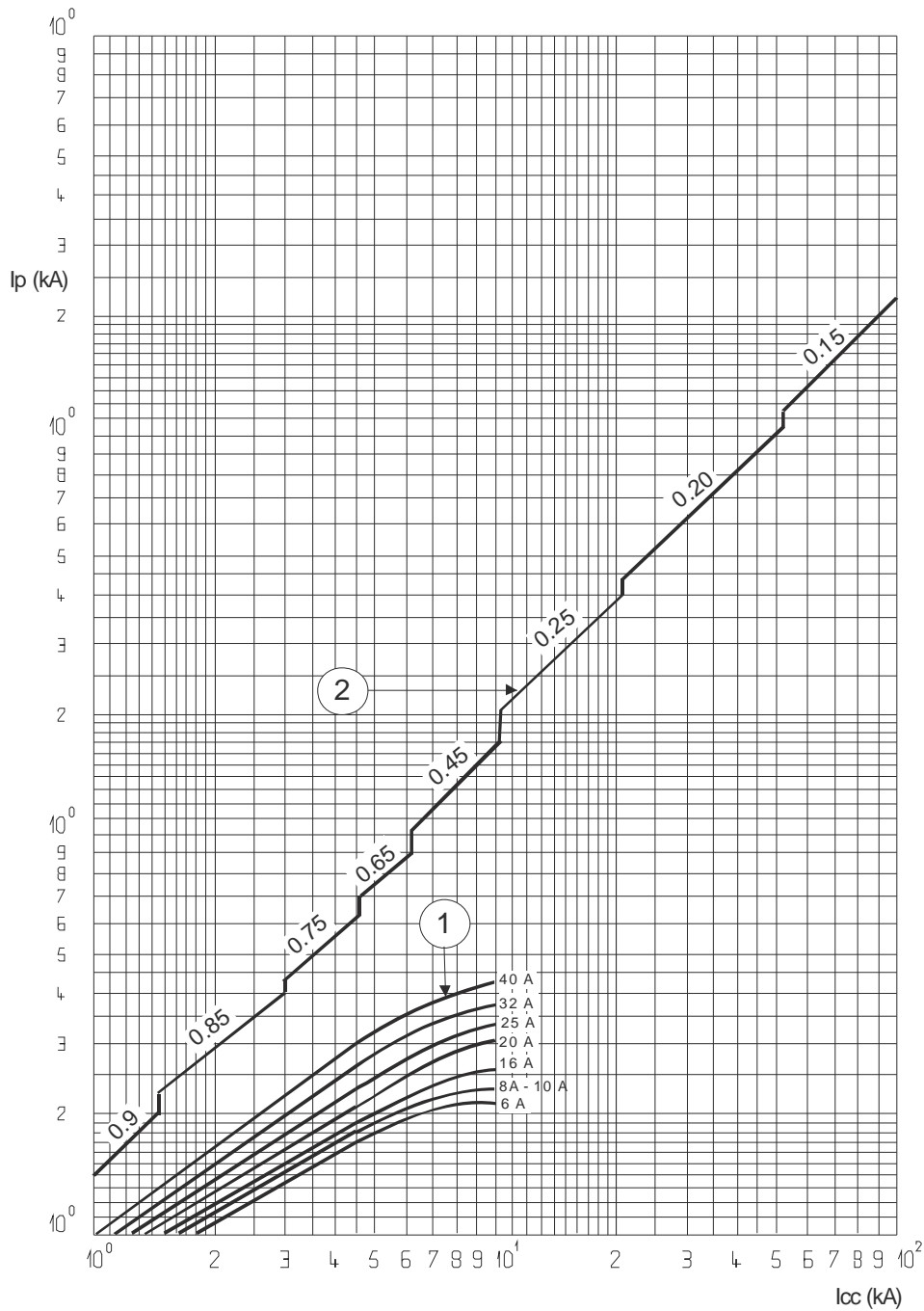
# DX<sup>3</sup> MCB 6000 A / 10 kA

## Phase + Neutral, neutral on right side

Cat. N°(s): 4 074 67 / 68 / 69 / 70 / 71 / 72 / 73 / 74 / 75 / 76 / 77 / 78 / 79 ; 4 077 33 / 34 / 35 / 36 / 37 / 38 / 40 / 41 / 42 / 43 / 44 / 45 / 46

### 7. CURVES (continued)

Current limiting curves:



$I_{cc}$  = Prospective short-circuit symmetrical current (rms value in kA)

$I_p$  = Maximum peak value (in kA)

1 = Short-circuit rms currents (max. peak)

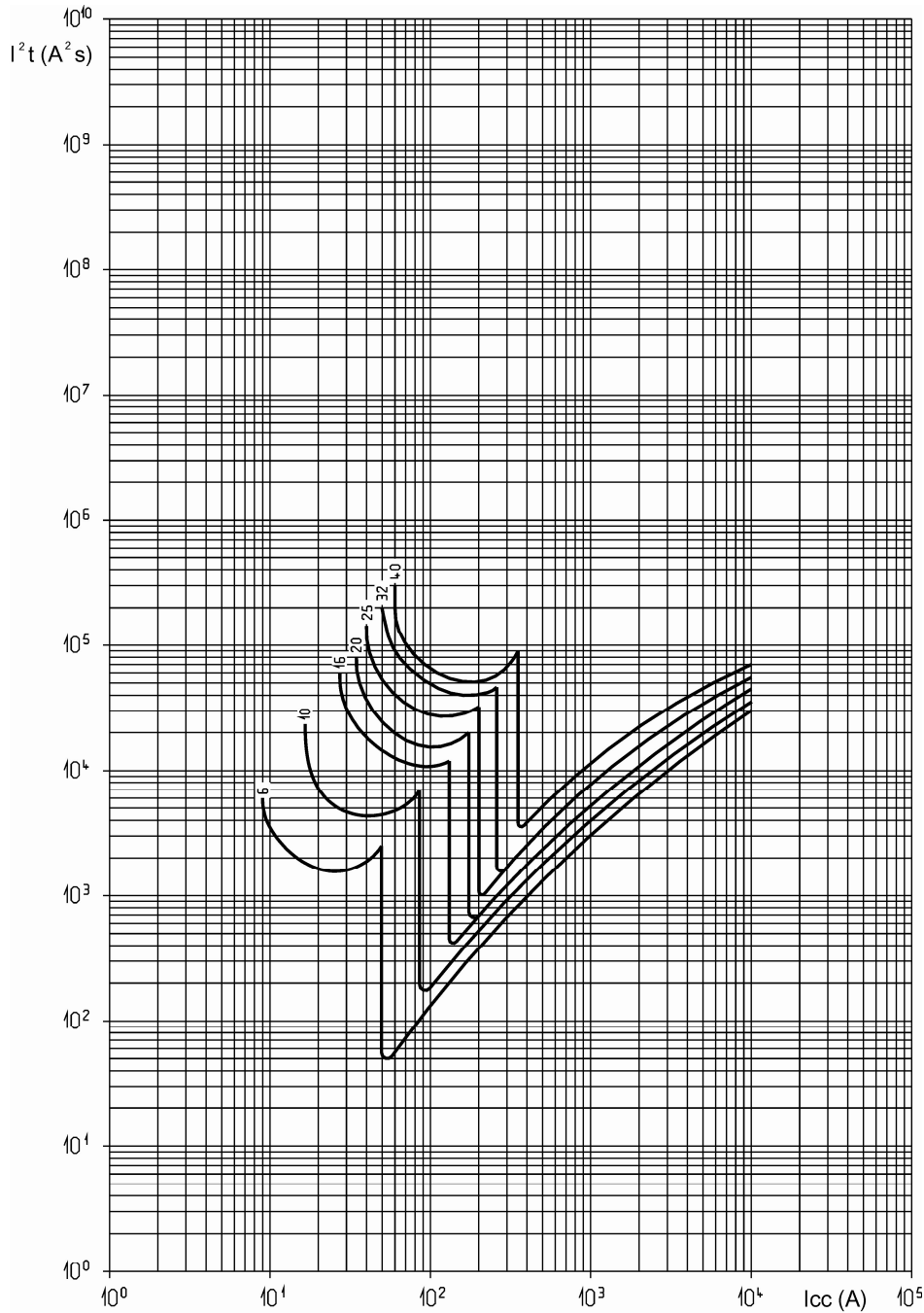
2 = Unlimited peak currents (max.), corresponding to power factors shown above (0.15 to 0.9)

NB: For 0.5A, 1A, 2A and 3A ratings, the limited values are less than 1kA

**7. CURVES (continued)**

**Thermal stress limiting curves:**

. C curve MCBs (230V/50Hz)



$I_{cc}$  = prospective short-circuit symmetrical current (rms value in A)

$I^2t$  = limited thermal stress (in A s)<sup>2</sup>

NB:

- The 3A rating limits to values less than 6,000 A s<sup>2</sup>
- The 2A rating limits to values less than 3,000 A s<sup>2</sup>
- The 1A rating limits to values less than 1,000 A s<sup>2</sup>



# DX<sup>3</sup> MCB 6000 A / 10 kA

## Phase + Neutral, neutral on right side

Cat. N°(s): 4 074 67 / 68 / 69 / 70 / 71 / 72 / 73 / 74 / 75 / 76  
/ 77 / 78 / 79 ; 4 077 33 / 34 / 35 / 36 / 37 / 38 / 40 / 41 / 42 /  
43 / 44 / 45 / 46

### 8. AUXILIARIES AND ACCESSORIES

#### Wiring accessories:

- . Supply busbar:
  - HX<sup>3</sup> single-pole universal supply busbar (Cat. No. 4 049 26 / 37)
  - HX<sup>3</sup> 4-pole "screw" busbar (Cat. No. 4 052 10) and 4-pole "head of group" supply busbar (Cat. No. 4 052 00 / 01 / 02)
- . Connection terminals (cat. No. 4 049 05)
- . Sealable screwcover (cat. No. 4 063 04)

#### Signalling auxiliaries:

- . Auxiliary contact (0.5 module, Cat. No. 4 062 58)
- . Fault signalling contact (0.5 module, Cat. No. 4 062 60)
- . Auxiliary contact that can be changed into fault signalling contact (0.5 module, Cat. No. 4 062 62)
- . Auxiliary contact + fault signalling contact that can be changed into 2 auxiliary contacts (1 module, Cat. No. 4 062 66)

#### Control auxiliaries:

- . Shunt trip (1 module, Cat. No. 4 062 76 / 78)
- . Under voltage release (1 module, Cat. No. 4 062 80 / 82)
- . Autonomous shunt trip release for N/C push-button (1.5 module, Cat. No. 4 062 87)
- . Power Overvoltage Protection (1 module, Cat. No. 4 062 86)

#### Motor driven control modules:

- . Motor-driven control module (1 module, Cat. No. 4 062 91)
- . Motor-driven control module with integrated automatic reset (2 modules, Cat. Nos. 4 062 93 / 95)

#### Possible combinations of auxiliaries and MCBs:

- . The auxiliaries are installed to the left of the MCBs
- . Maximum number of auxiliaries = 3
- . Maximum number of 1 module signalling auxiliaries = 2
- . Maximum number of control auxiliaries (Cat. Nos. 4 062 76 to 4 062 87) = 1
- . The control auxiliary (trip Cat. Nos. 4 062 76 to 4 062 87) must mandatorily be placed to the left of the signalling auxiliaries (Cat. Nos. 4 062 58 to 4 062 66) where the auxiliaries from these 2 families are connected to the same MCB.

#### Sealing:

- . Possible in the open or closed positions

#### Locking options:

- . Via padlock 5 mm in diameter (Cat. No. 4 063 13) or padlock 6 mm in diameter (Cat. No. 0 227 97) and padlock support (Cat. No. 4 063 03)

#### Installation software:

- . XL PRO<sup>3</sup>