





### **WARNING**

- Read carefully the manual before the installation or use, taking count of the informations of instruction sheet given with to the product.
- These equipments have to be installed by qualified personnel, in compliance to local standards, to avoid damages or safety hazards.
- Before any device maintenance operation, remove the supply from measuring inputs or isolate them cutting the supply from other sources.
- Legrand assumes no responsibility if the device isn't properly used, if installative informations aren't respected or if the device is tampered.
- Products described here below are subject to alterations and changes without prior notice. For this reason the catalogues data couldn't have contractual value.
- Clean the instrument with a soft dry cloth; do not use abrasives, liquids.
- Due of presence of electrical connections, the safety standards have to be respected.
- The ATS is supplied with Legrand standard parameters. These couldn't respect the necessity of the specific application/ installation. For this reason it is necessary to know the parameters and eventually to modify them in order to better integrate the device to the plant.



### **SAFETY INSTRUCTIONS**

This product should be installed in compliance with installation rules, preferably by a qualified electrician. Incorrect installation and use can lead to risk of electric shock or fire.

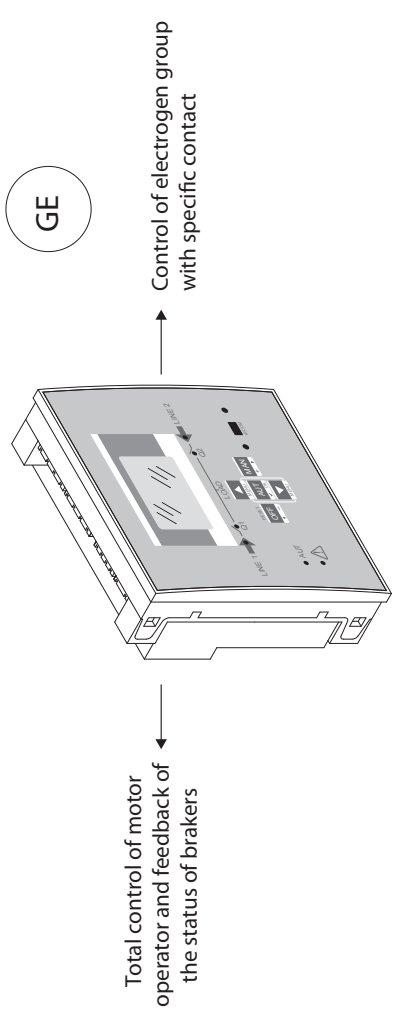
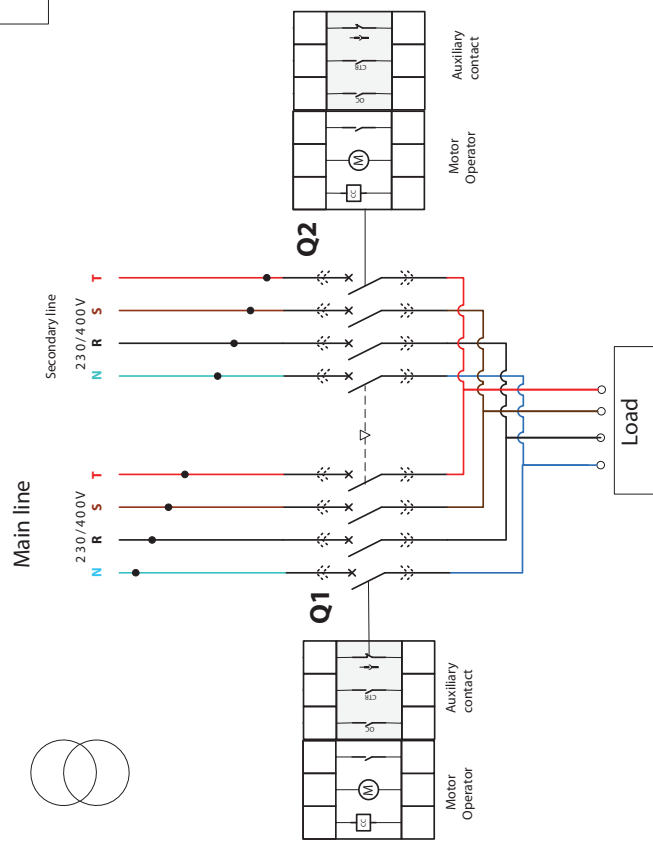
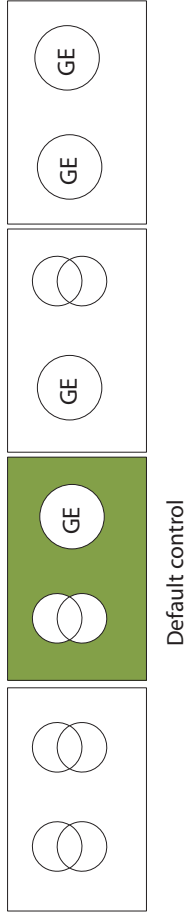
Before carrying out the installation, read the instructions and take account of the product's specific mounting location.

Do not open up, dismantle, alter or modify the device.

All Legrand products must be opened and repaired exclusively by personnel trained and approved by Legrand. Any unauthorized opening or repair completely cancels all liabilities and the rights to replacement and guarantees.

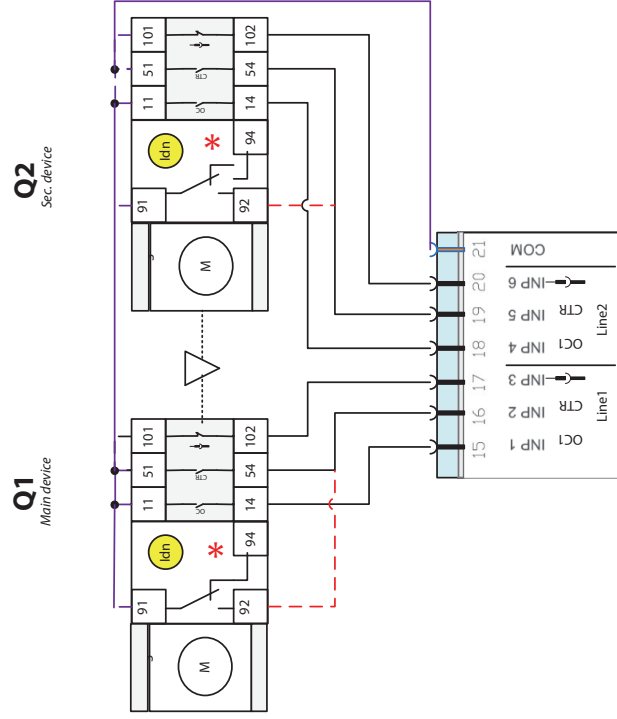
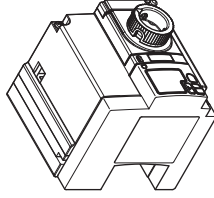
Use only Legrand brand accessories.

ATS can manage different kind of circuits with different priorities in function of the settings

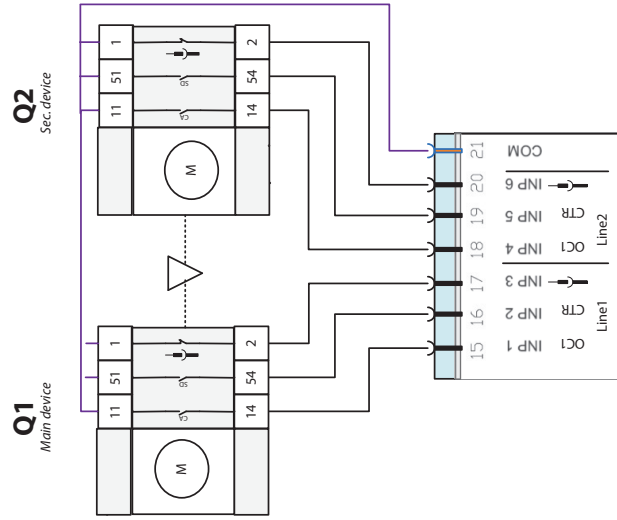
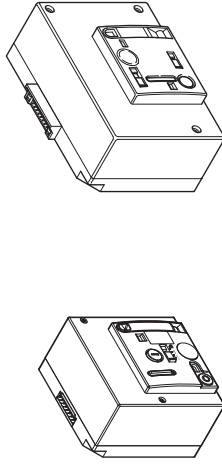


# Automatic transfer switch 4 226 82

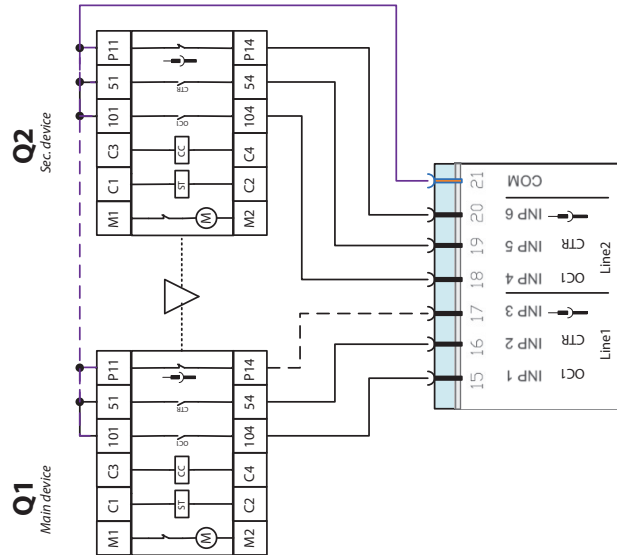
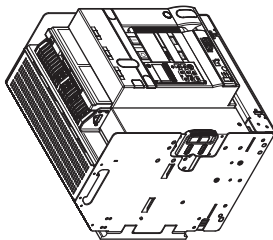
**DPX<sup>3</sup> 160 DPX<sup>3</sup> 250**



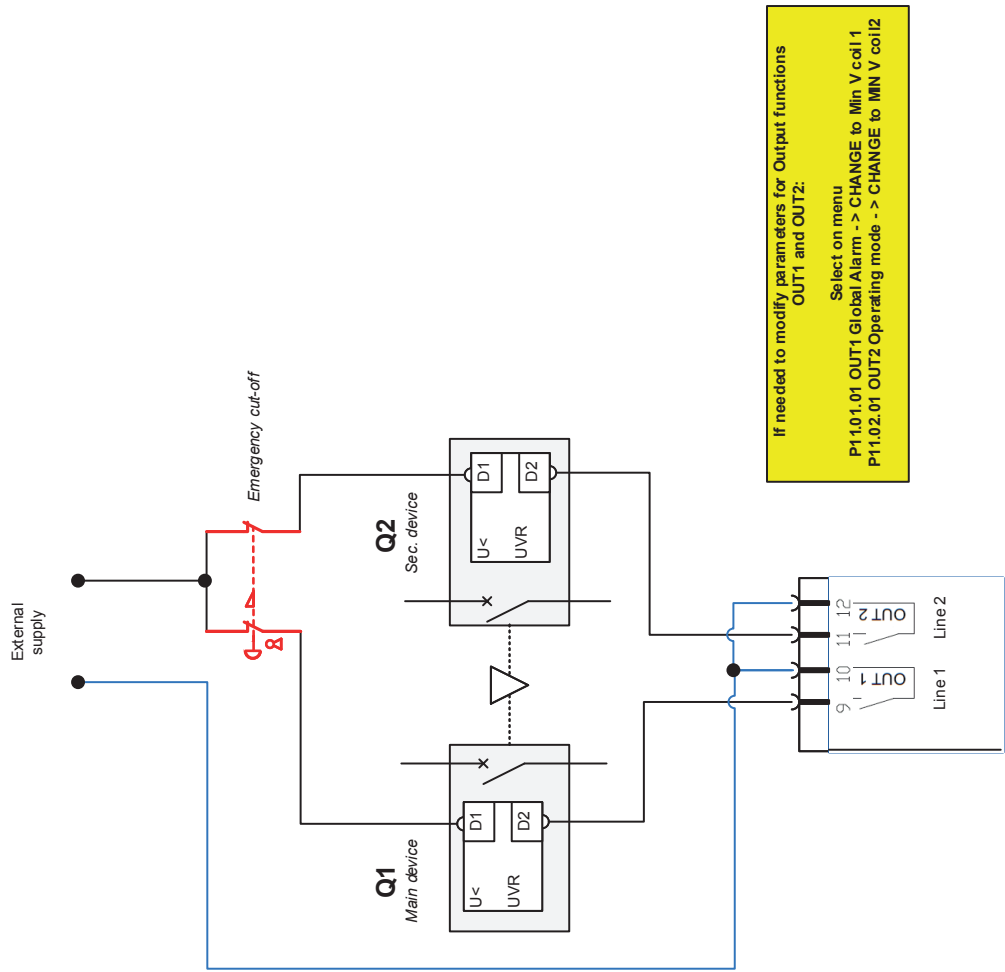
**DPX<sup>3</sup> 630 DPX<sup>3</sup> 1600**



**DMX<sup>3</sup>**

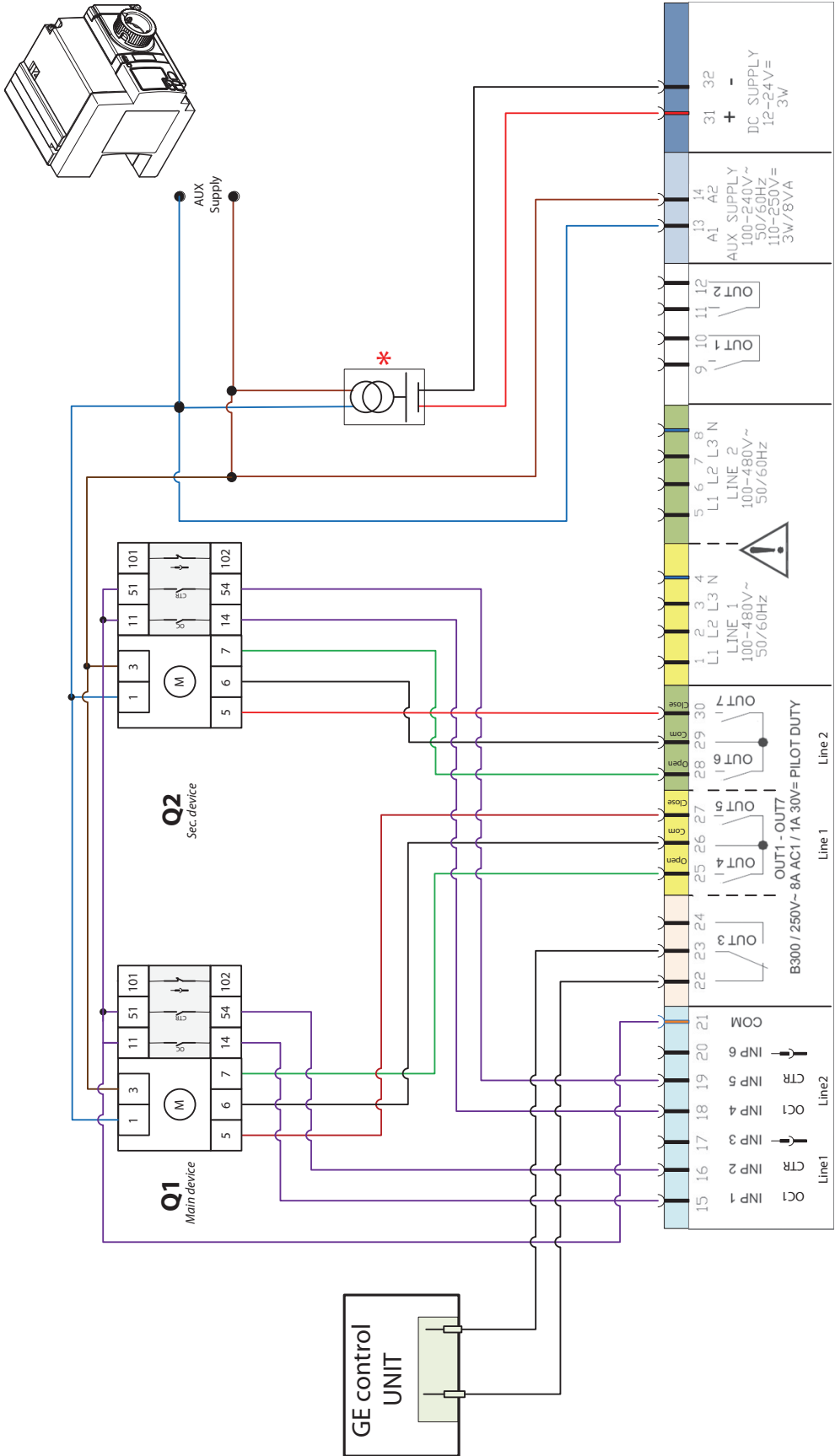


<b>Description</b>	Feedback function connection
<b>ID scheme</b>	
<b>Date</b>	
<b>Rv</b>	0

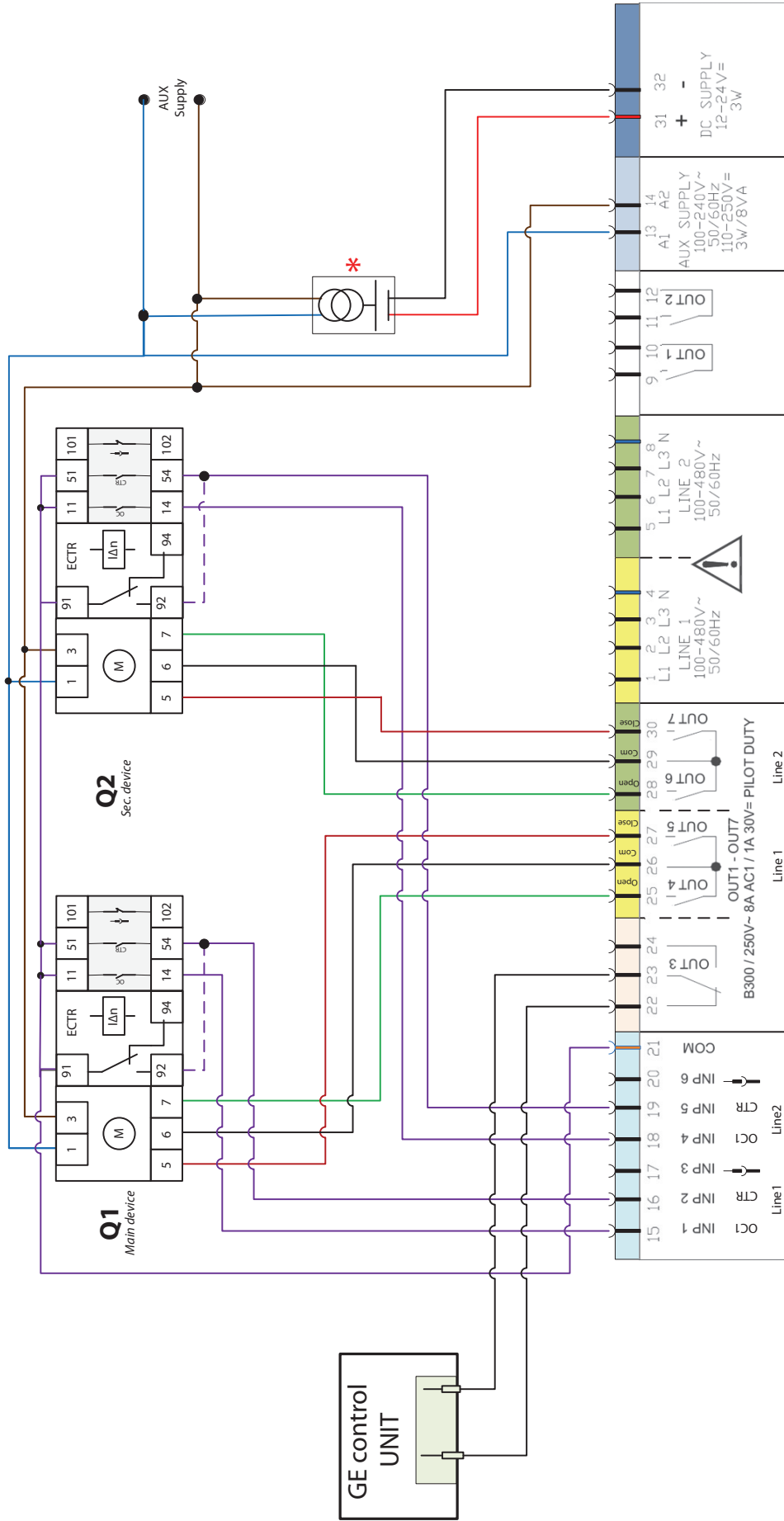


<b>Description</b>	Control of UVR coil by ATS
<b>ID scheme</b>	
<b>Date</b>	
<b>Rv</b>	0

# Automatic transfer switch 4 226 82



<b>Description</b>	DPX3 160 - 250
<b>ID scheme</b>	D_82_P00_230_NC_UG_---
<b>Date</b>	
<b>Rv</b>	1

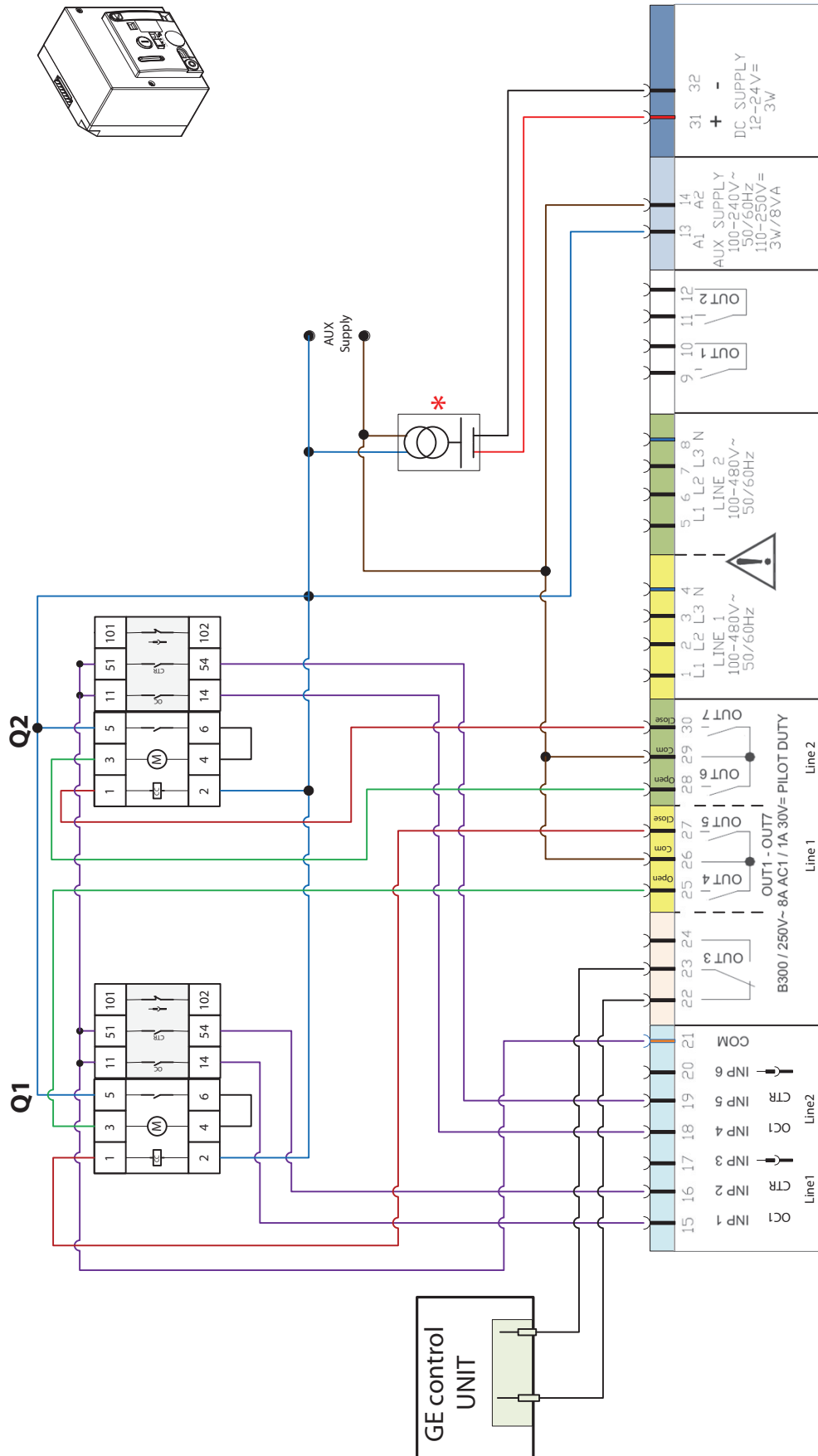
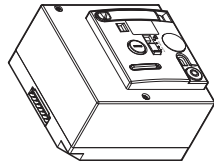


<b>Description</b>	DPX <sup>3</sup> 160 - 250 + RCD module
<b>ID scheme</b>	D_82_P00_230_NC_UG_RCD_...
<b>Date</b>	
<b>Rv</b>	1

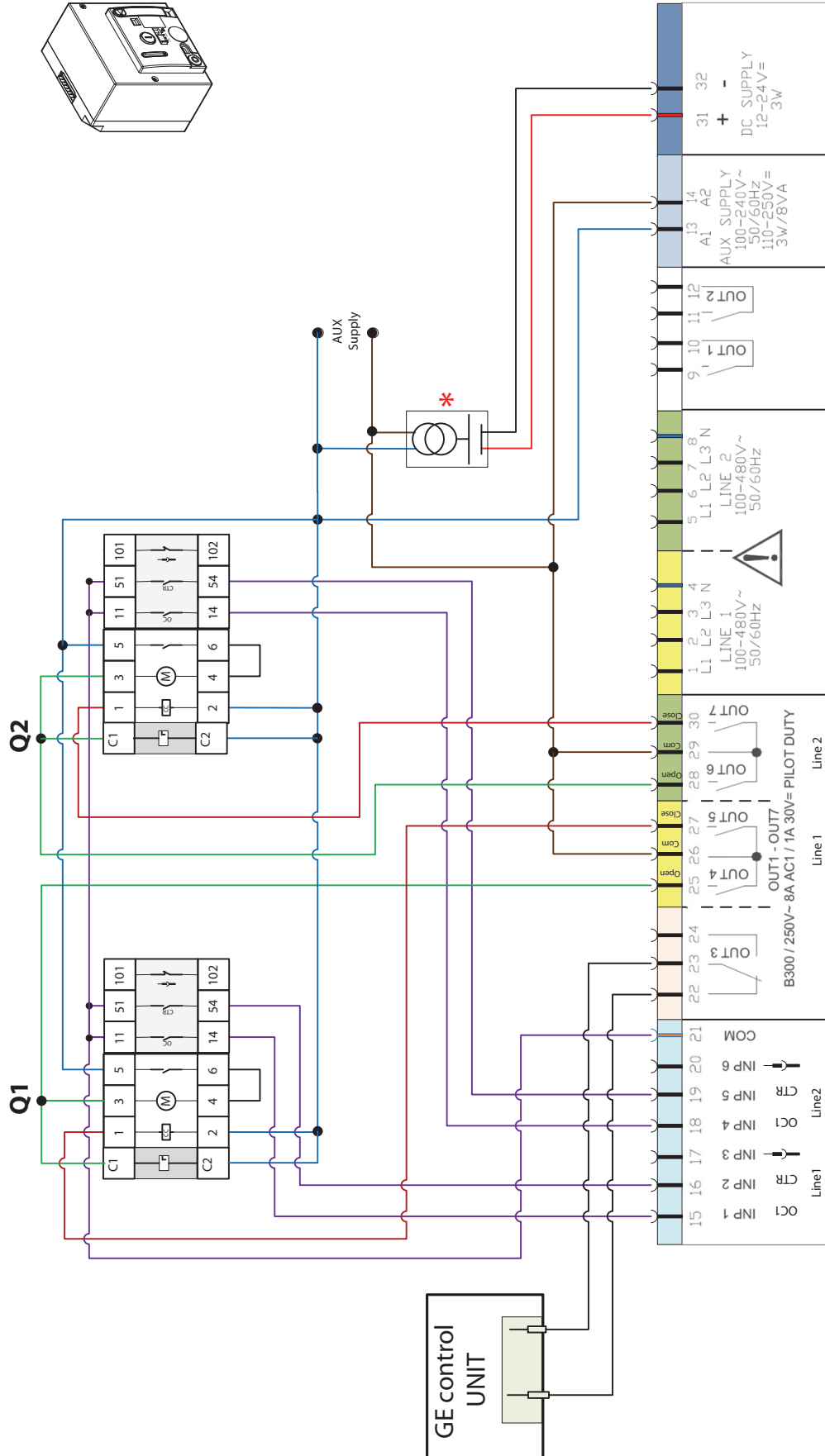
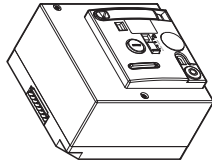
-----  
Option



# Automatic transfer switch 4 226 82

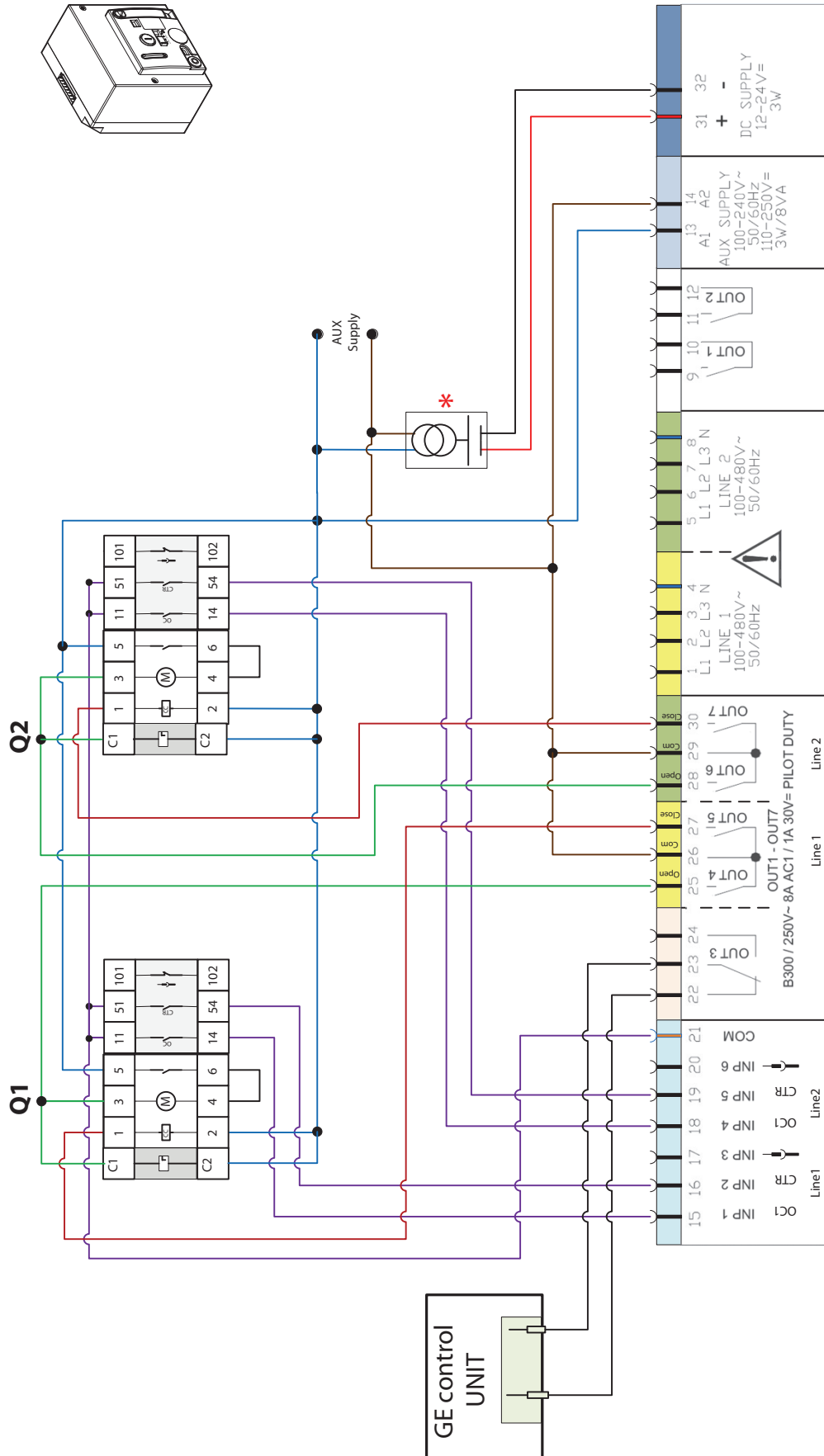


<b>Description</b>	DPX 250
<b>ID scheme</b>	D_82_P01_230_NC_UG_---
<b>Date</b>	
<b>Rv</b>	1

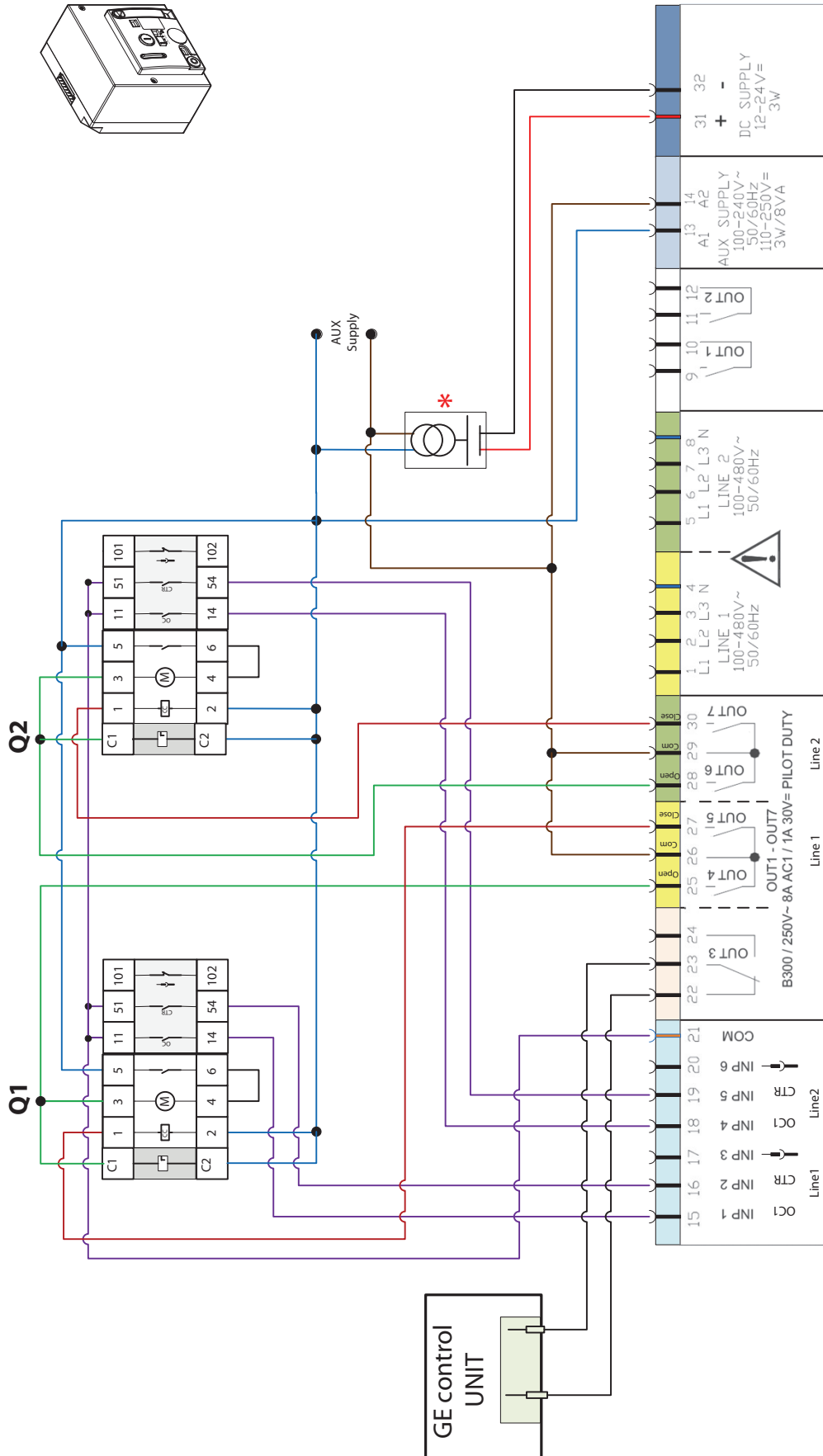
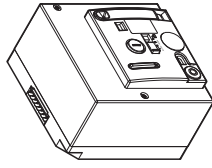


<b>Description</b>	DPX 250
<b>ID scheme</b>	D_82_P01_230_ST_UG_.....
<b>Date</b>	
<b>Rv</b>	1

# Automatic transfer switch 4 226 82



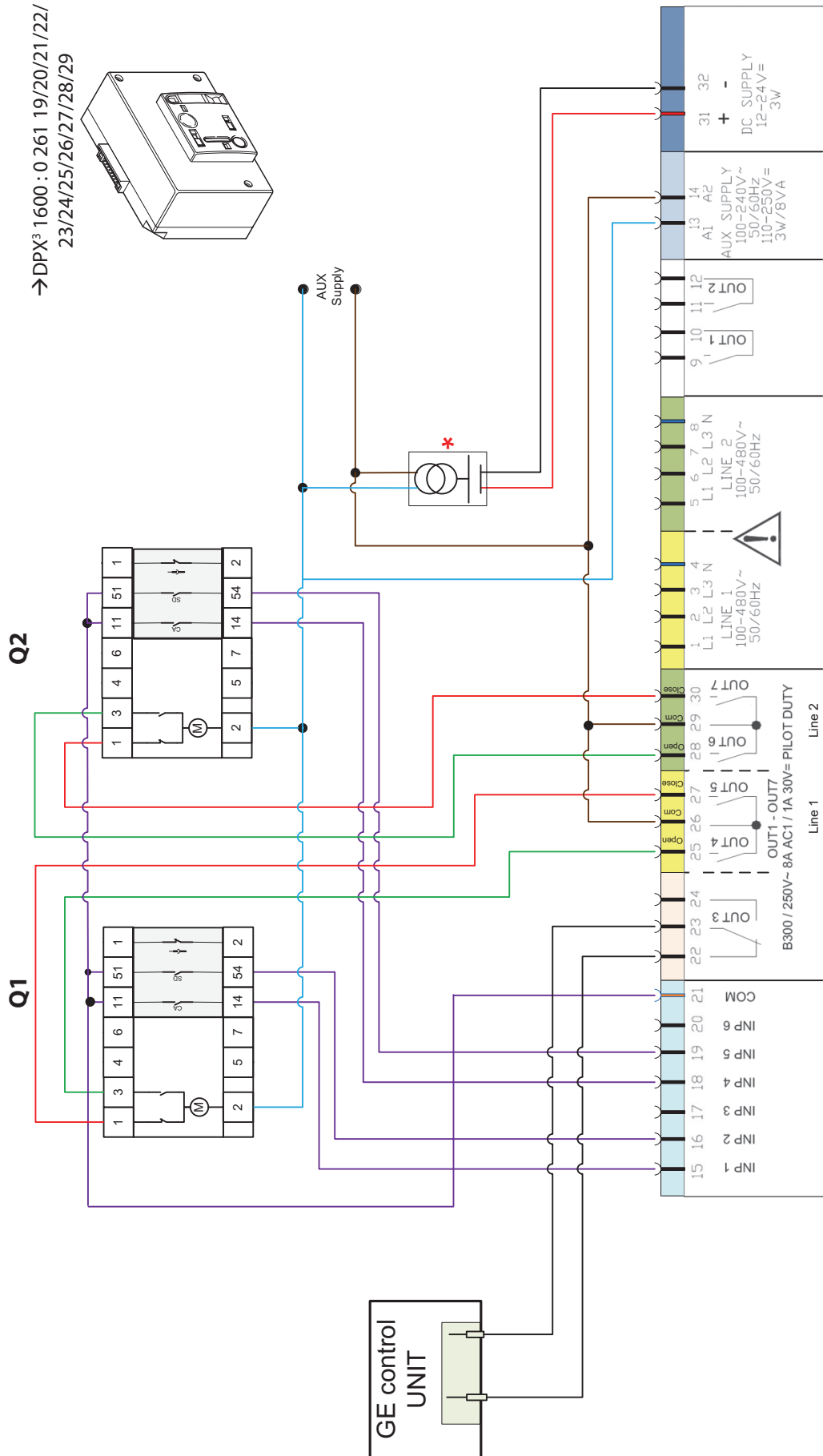
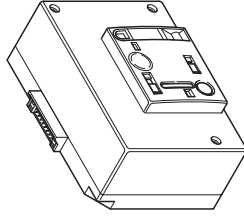
<b>Description</b>	DPX <sup>3</sup> 630 230V
<b>ID scheme</b>	D_82_P02_230_NC_UG_____
<b>Date</b>	
<b>Rv</b>	1



<b>Description</b>	DPX <sup>3</sup> 630 230V + ST
<b>ID scheme</b>	D_82_P02_230_ST_UG
<b>Date</b>	
<b>Rv</b>	1

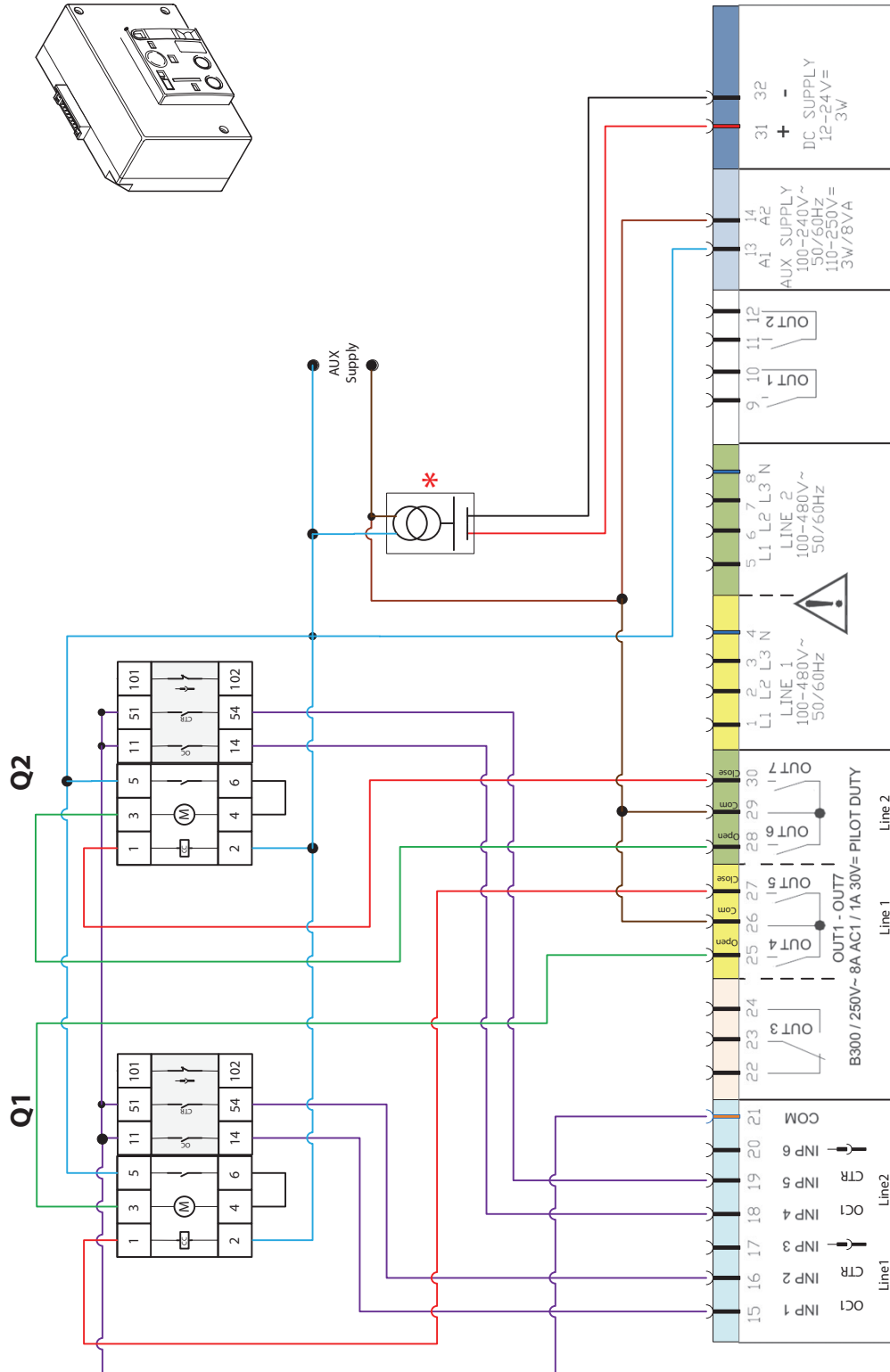
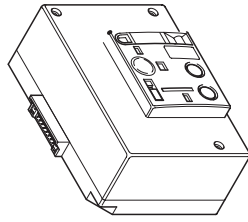


→DPX<sup>3</sup> 1600 : 0 261 19/20/21/22/  
23/24/25/26/27/28/29



<b>Description</b>	DPX <sup>3</sup> 1600 Direct
<b>ID scheme</b>	D_82_P03_230_NC_UG_-----
<b>Date</b>	
<b>Rv</b>	1

# Automatic transfer switch 4 226 82

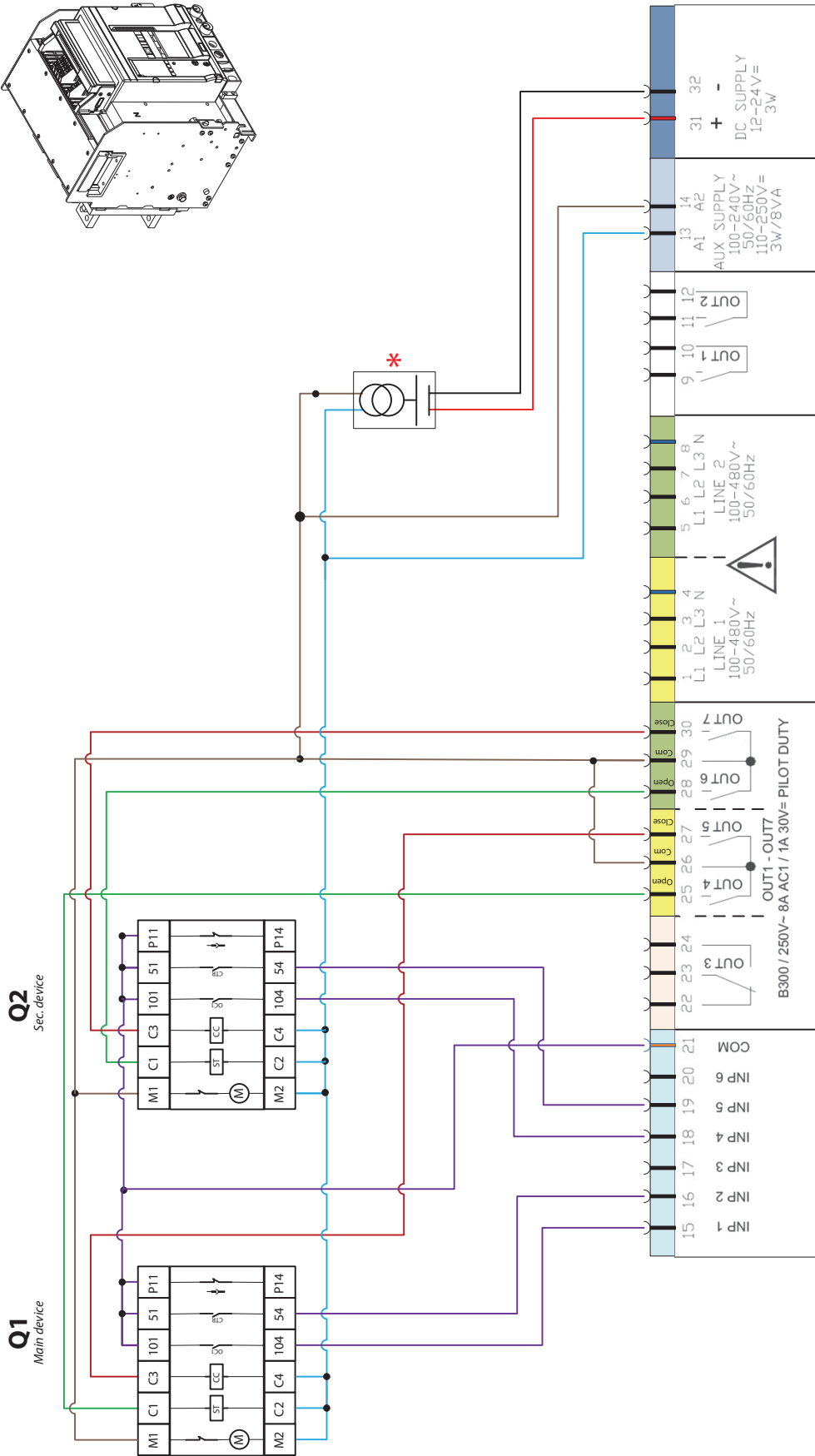
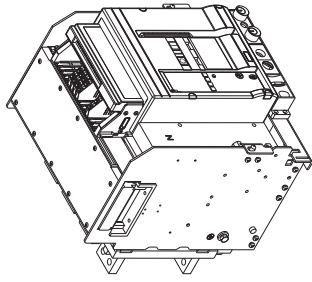


<b>Description</b>	DPX <sup>3</sup> 1600 (fast closing) 230V
<b>ID scheme</b>	D_82_P04_230_NC_UG_F_...
<b>Date</b>	
<b>Rv</b>	1

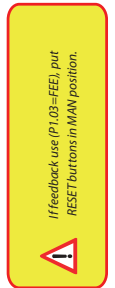


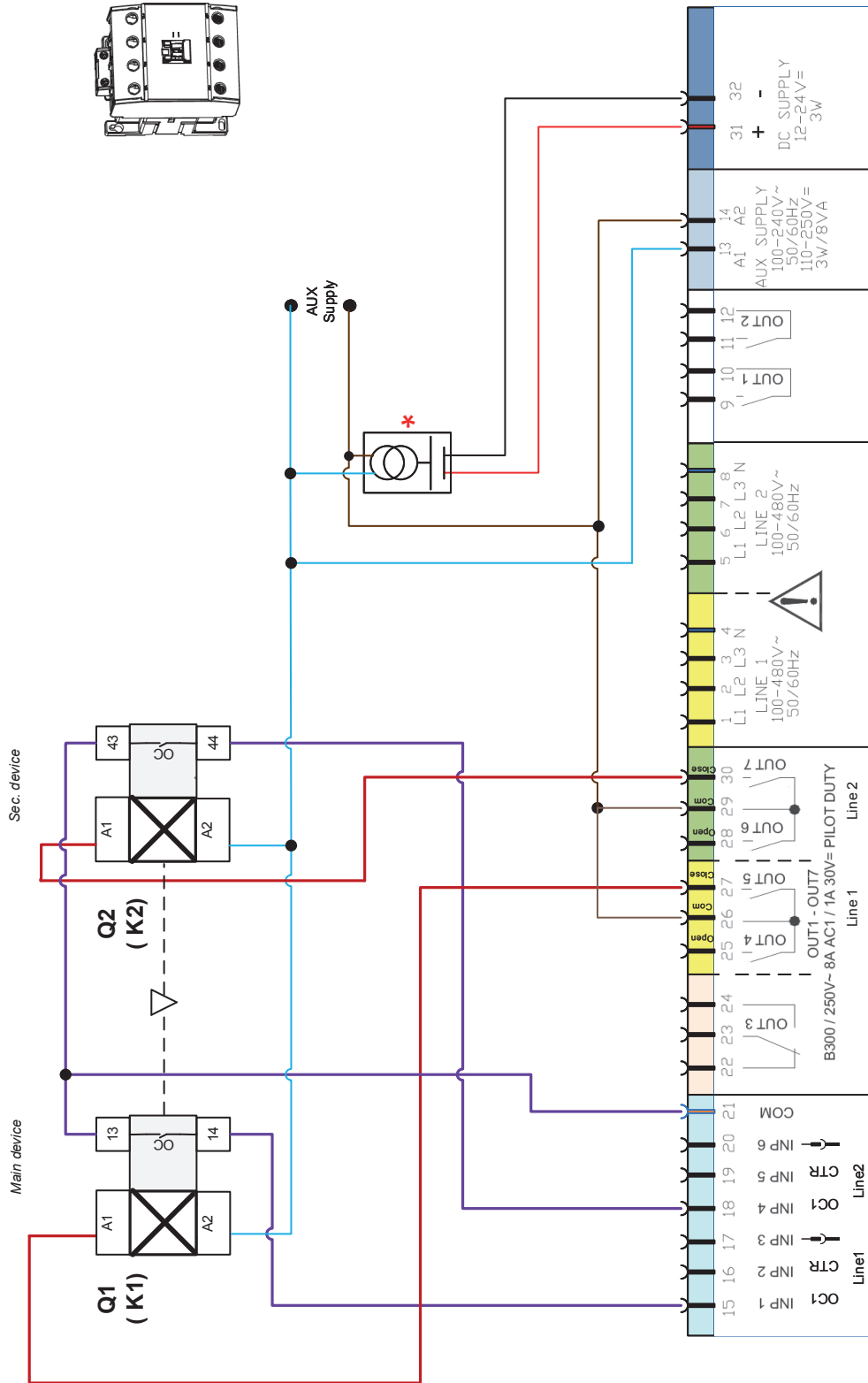


# Automatic transfer switch 4 226 82



<b>Description</b>	DMX <sup>3</sup> ST + CC + Motor 230V
<b>ID scheme</b>	D_82_X01_230_ST_UG_-----
<b>Date</b>	
<b>Rv</b>	1



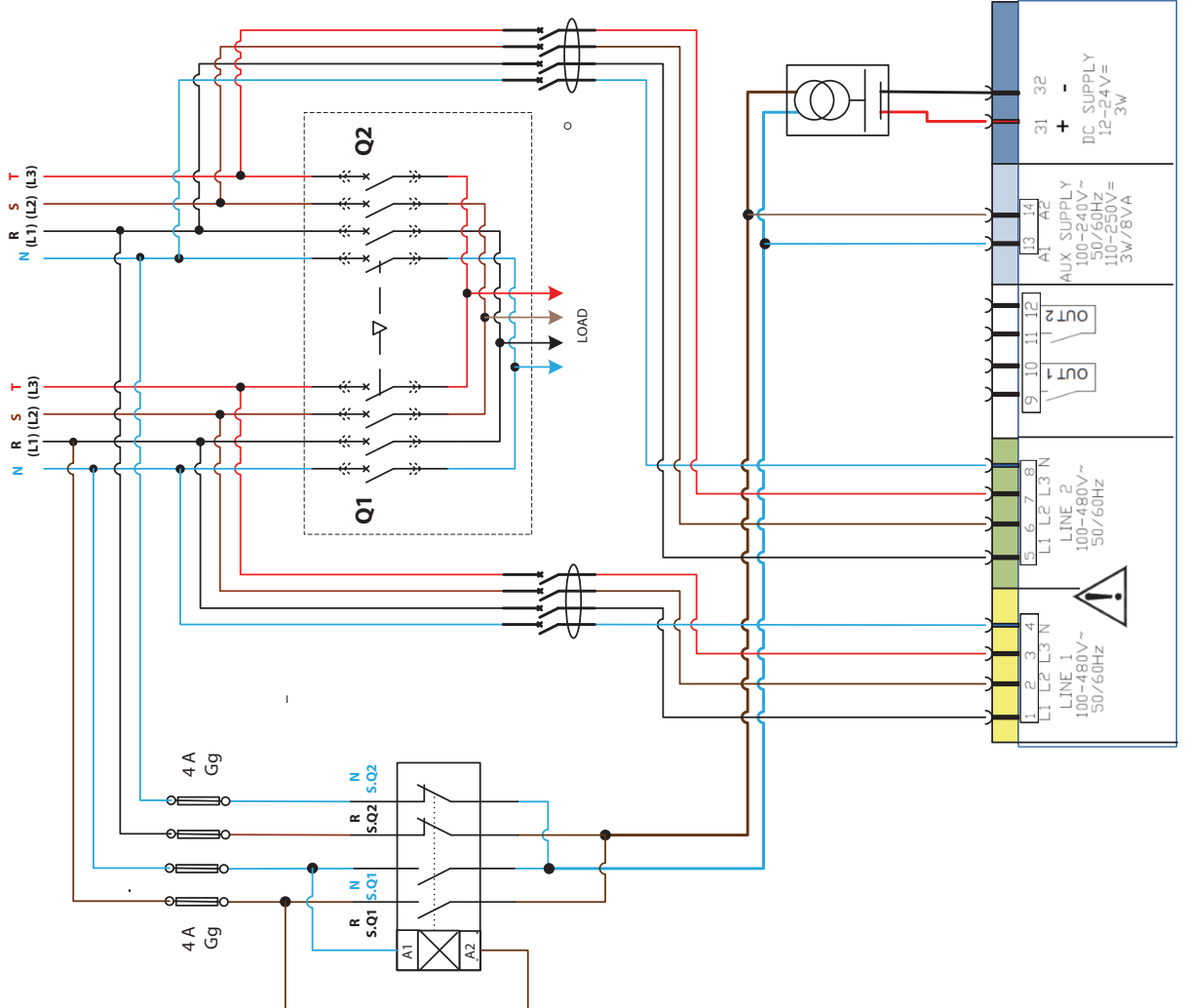


Description	CTX <sup>3</sup> with feedback
ID scheme	
Date	
Rv	0

References:  
 CTX<sup>3</sup>-230Vac → 4-168-26  
 U<sub>I</sub> = 680V  
 U<sub>imp</sub> = 6kV

--- Option

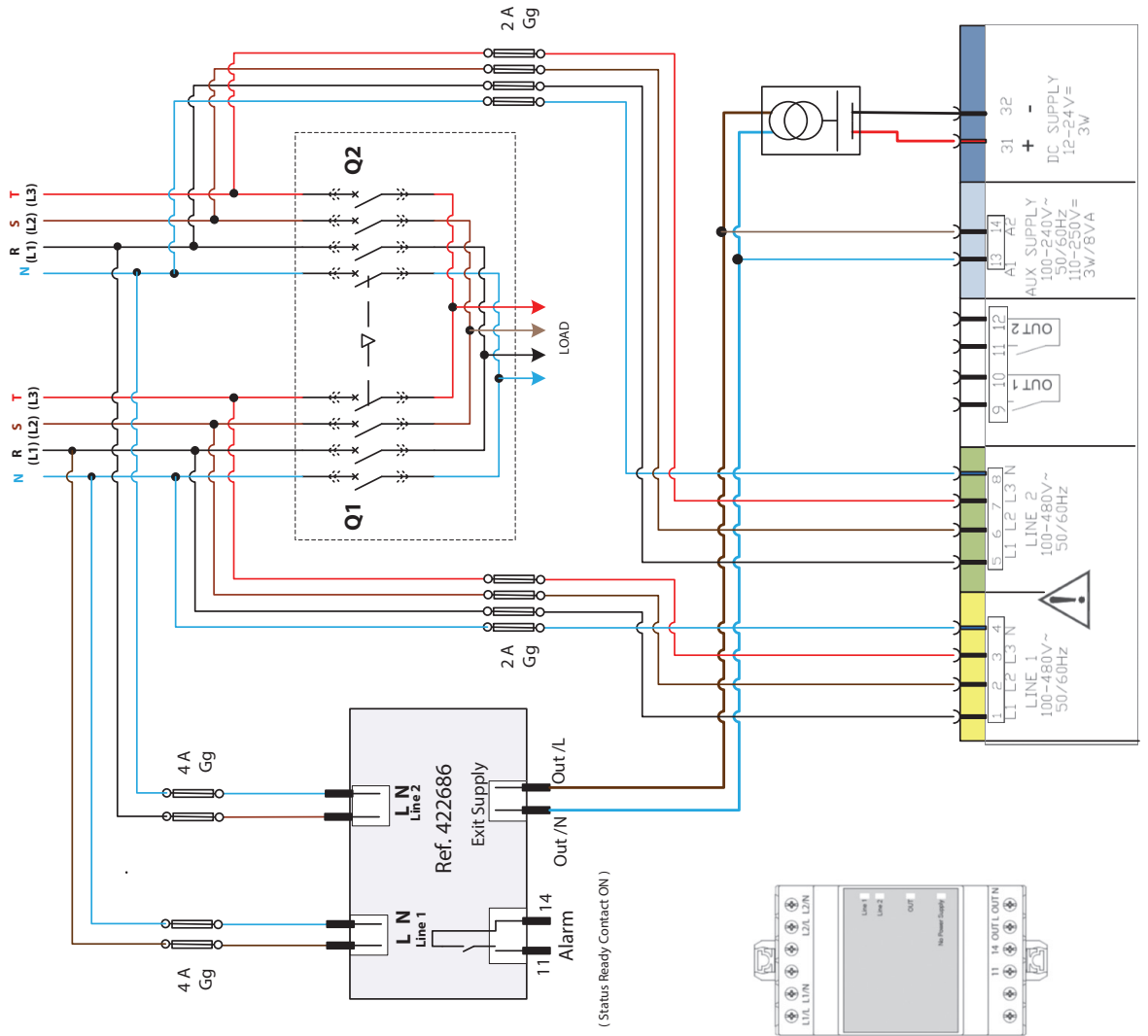
# Automatic transfer switch 4 226 82



It's possible to use the fuses for protection of line voltage sensing if circuit's Icc is over 50kA. It's MANDATORY for the customer to verify and choose the correct product on catalogue.

In this application, the auto selection of supply voltage values is not under control, but just select in function of presence (or not) of main line.

<b>Description</b>	Auto supply by CTX <sup>3</sup>
<b>ID scheme</b>	D_82_DPS_230___UG_CTX <sup>3</sup> ___
<b>Date</b>	
<b>Rv</b>	0



It's possible to use the fuses for protection of line voltage sensing if circuit's Icc is over 50kA. It's MANDATORY for the customer to verify and choose the correct product on catalogue.

In this application, the auto selection of supply voltage values is not under control, but just select in function of presence (or not) of main line.

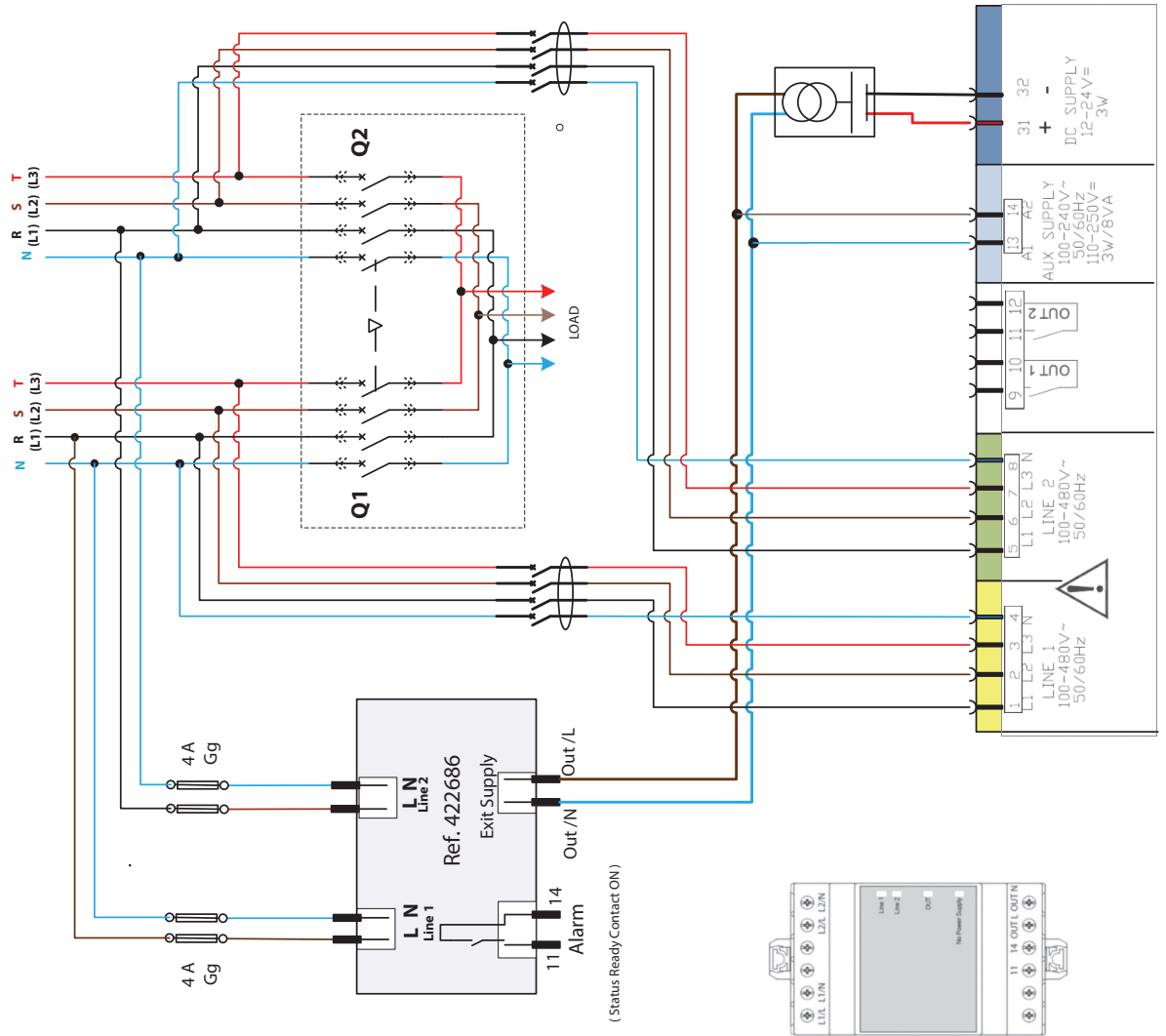
<b>Description</b>	DPS Dual Power Supply connection
<b>ID scheme</b>	D_82_DPS_230__UG_DPS_FU_
<b>Date</b>	
<b>Rv</b>	1.1

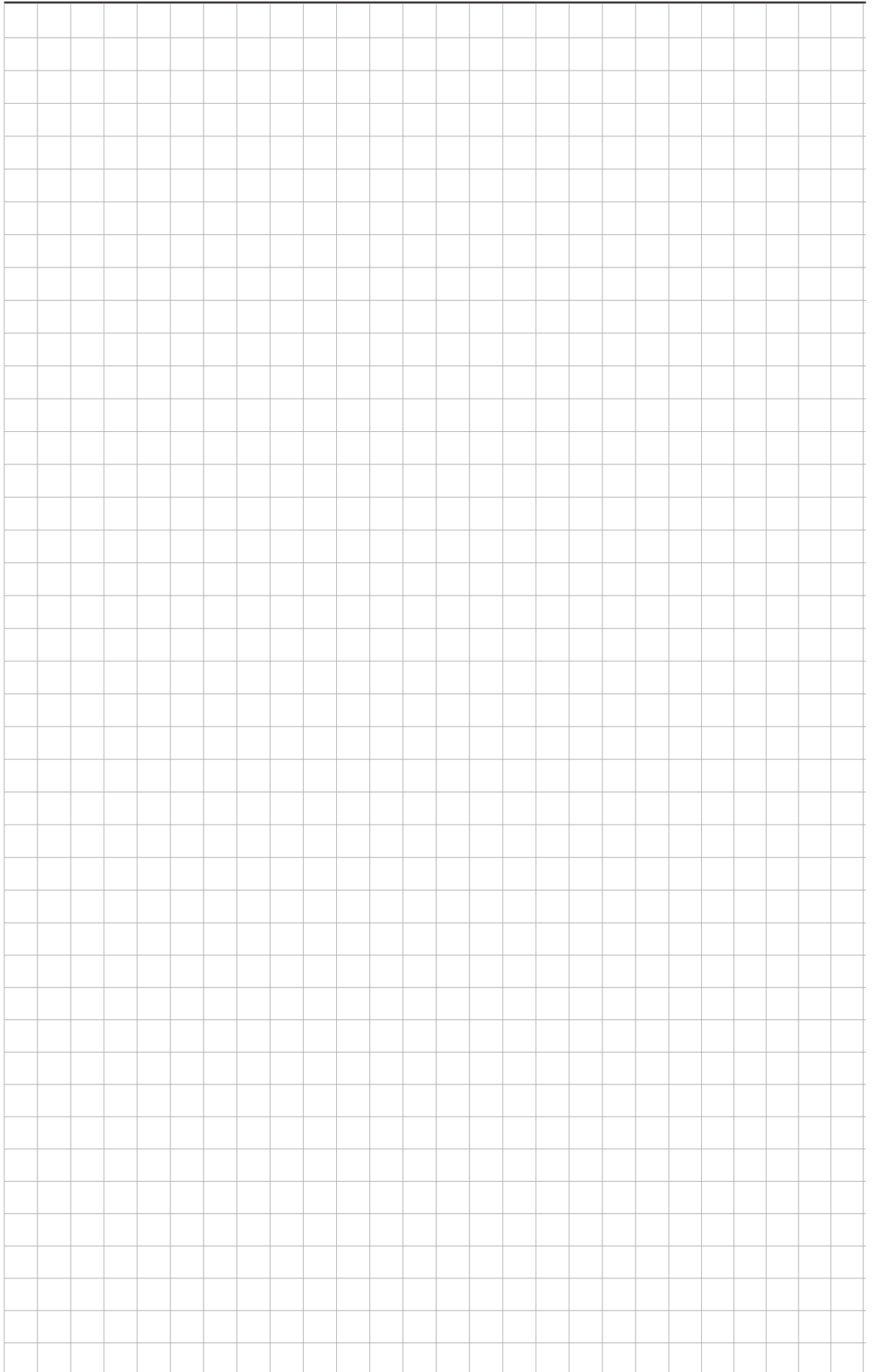
# Automatic transfer switch 4 226 82

It's possible to use the fuses for protection of line voltage sensing if circuit's Icc is over 50kA. It's MANDATORY for the customer to verify and choose the correct product on catalogue.

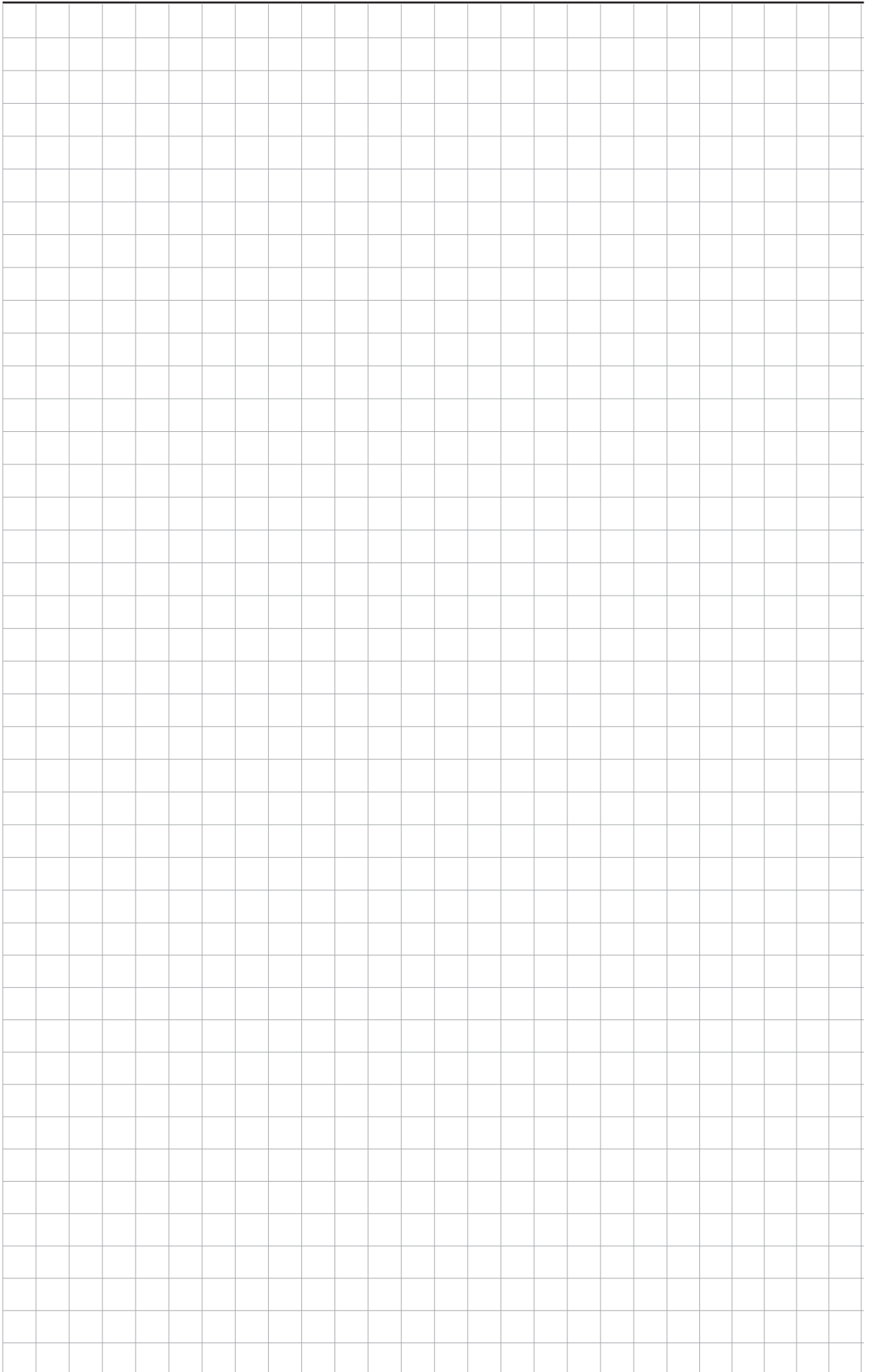
In this application, the auto selection of supply voltage values is not under control, but just select in function of presence (or not) of main line.

<b>Description</b>	DPS Dual Power Supply
<b>ID scheme</b>	D_82_DPS_230__UG_DPS_FU_Mcb
<b>Date</b>	
<b>Rv</b>	1.1





**Automatic transfer switch**  
**4 226 82**



LEGRAND  
Pro and Consumer Service  
BP 30076 - 87002  
LIMOGES CEDEX FRANCE  
[www.legrand.com](http://www.legrand.com)

┌ Installer stamp ─┐  
└──────────────────┘

┌ ───────────────────┐  
└──────────────────┘