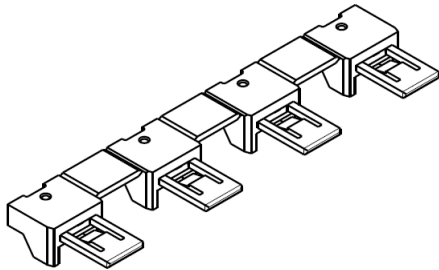


DX³ Sealable Screw Cover for MCBs 1,5 modules per pole

Cat N°: 4 063 12



CONTENTS	PAGE
1. Description - Use	1
2. Range	1
3. Overall dimensions	1
4. Preparation - Connection	1
5. General Characteristics	2
6. Compliance and approvals.....	2

1. DESCRIPTION - USE

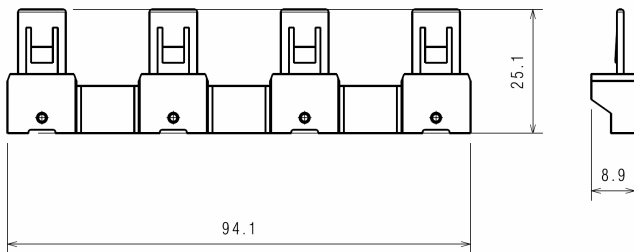
. Sealable screw hider for MCB 1,5 modules per pole.
 Allows the sealing and the inaccessibility of the screw heads of the associated product terminals. (Protection index against solid and liquid bodies IP40)

2. RANGE

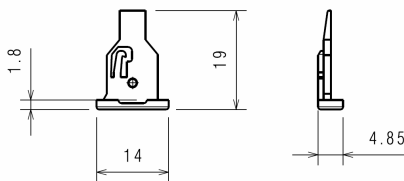
. Cat. N° 4 063 12
 Delivered by one piece of four cuttable elements and with four locking pins = (One piece = four elements for four terminals)

3. OVERALL DIMENSIONS

Screw hider:

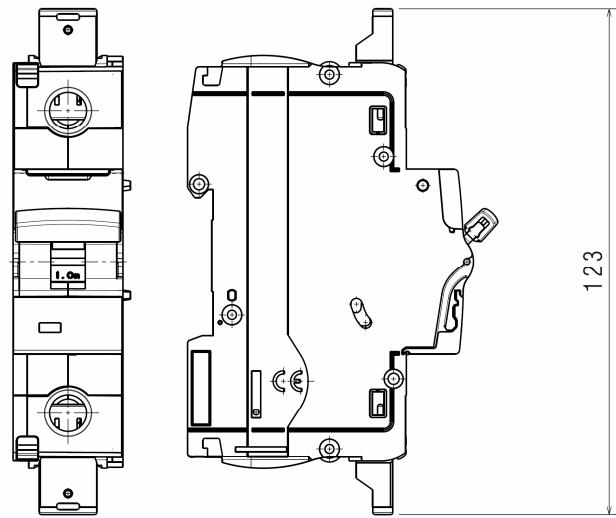


Locking pin:



3. OVERALL DIMENSIONS (continued)

. Height of the whole MCB + screw cover : 123 mm



. The maximum height of the MCB with screw cover is less than the height of the MCB with the integrated insulating shields deployed (126 mm)



DX³ Sealable Screw Cover for MCBs

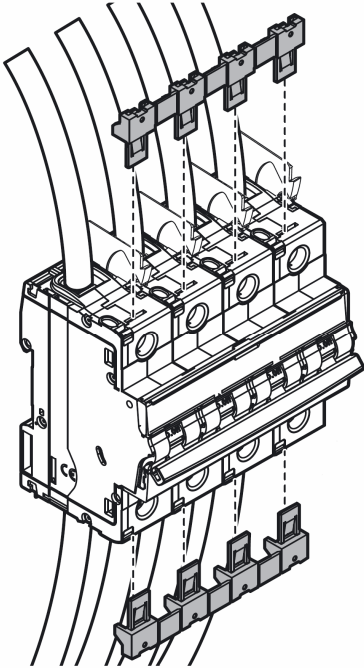
1,5 modules per pole

Cat N°: 4 063 12

4. PREPARATION -CONNECTION

Assembling:

- . Directly on the terminals upstream and downstream of the MCB, once the device wired.



Recommended tools:

- .For installation: No tools required
- .For uninstalling: Flat screwdriver 4 mm to retract locking pins of the screw cover.

5. GENERAL CHARACTERISTICS

Ambient temperatures:

- . Operation: from - 25 °C to + 70 °C.
- . Storage: from - 40 °C to + 70 °C.

Plastic materials:

- . Polyamide 6.
- . Characteristics of this material: self extinguishing, heat and fire resistant according to standard EN 60898-1, incandescent wire test at 960°C

Degree of class protection:

- . Protection index of terminals against solid and liquid bodies: IP40 (in accordance with standards IEC 529, EN 60529 et NF C 20-010).
- . Protection index against mechanical shocks: IK02 (in accordance with standards EN 50102 et NF C 20-015).

Sinusoidal vibration resistance in accordance with IEC 60068-2-6.

- . Axes : x, y, z.
- . Frequency range: 5÷100 Hz ; duration 90 min.
- . Displacement (5÷13,2 Hz) : 1mm
- . Acceleration (13,2÷100 Hz) : 0,7g (g=9,81 m/s²).

Average weight for a bar of 4 screw covers:

- . 0,0058 kg.

Volume when packed:

- Packed by two pieces of 4 screw covers
- . 0,21dm³.

6. COMPLIANCE AND APPROVALS

In accordance with:

- . Standard: IEC/EN 60947-2.
- . CEE guidelines: 73/23/CEE + 93/68/CEE.

Plastic materials :

- . Halogen-free plastic materials.

Packaging:

- . Design and manufacture of packaging in accordance with Decree 98-638 of 07.20.98 and Directive 94/62/EC