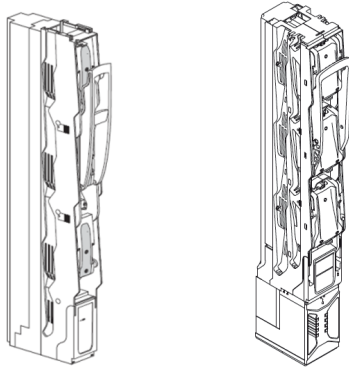


SPX³-V

Vertical fuse carriers for blade type fuses



CONTENTS

CONTENTS	PAGES
1. USE	1
2. RANGE	1
3. DIMENSIONS	1
4. OVERVIEW	2
5. ELECTRICAL AND MECHANICAL CHARACTERISTICS	2
6. CONFORMITY	3
7. EQUIPMENTS AND ACCESSORIES	3
8. TABLES	3

1. USE

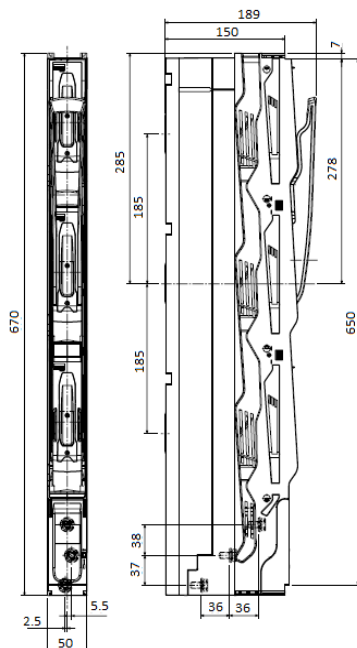
SPX³-V vertical in-line DIN 43 620 NH fuse without striker fuse carrier offers optimal solutions for protection against short-circuits and overloads, connection and disconnection of electric circuit parts without load or at full load in all the situations in which fuse could be the right answer to protection needs instead of circuit breakers. For 185mm busbar installations.

2. RANGE

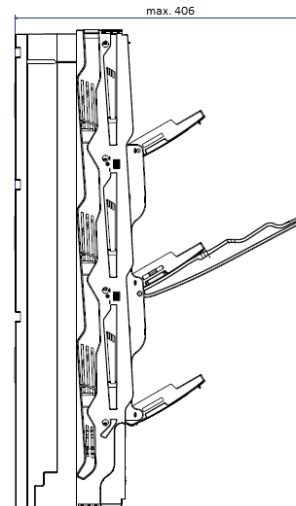
I _n (A)	Reference
160	6 058 50
250	6 058 51
400	6 058 52
630	6 058 53

3. DIMENSIONS

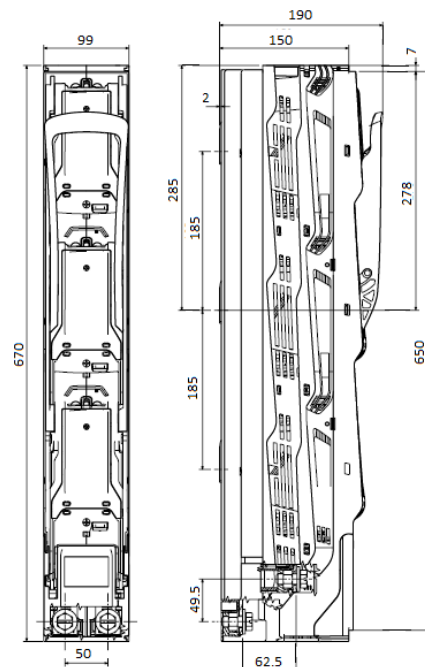
Ref. 6 058 50



Ref. 6 058 50 (NEXT)



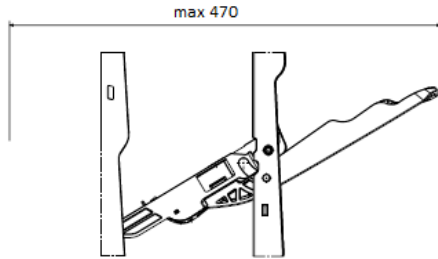
Ref. 6 058 51 / 2 / 3



Vertical fuse carriers for blade type fuses

3. DIMENSIONS (NEXT)

Ref. 6 058 51 / 2 / 3 (NEXT)



4. OVERVIEW

4.1 Mounting possibilities

On 185 mm collector rail:

- Vertical and horizontal

5. ELECTRICAL AND MECHANICAL CHARACTERISTICS

	SPX ³ -V 160A	SPX ³ -V 250A	
Size	00	1	
Nominal current I _n	160A	250A	
Type of current	AC (50/60 Hz)	AC (50/60 Hz)	
Nominal voltage U _n	800 V AC	800 V AC	
Rated insulating voltage U _i	1000V	1000V	
Rated impulse withstand voltage U _{imp}	8kV	12kV	
Category of use EN 60947-3	400V	AC 23 B	AC 23 B
	500V	AC 22 B	AC 22 B
	690V	AC 21 B (125A)	AC-22B
	800V	AC 22 B (63A)	AC 22 B (160A)
Conditional rated short-circuit current (with gG/gL fuses)	500V	-	120kA
	690V	100kA	100kA
Power dissipated by fuse carrier (without fuse component)	28W	24W	
	SPX ³ -V 400A	SPX ³ -V 630A	
Size	2	3	
Nominal current I _n	400A	630A	
Type of current	AC (50/60 Hz)	AC (50/60 Hz)	
Nominal voltage U _n	690 V AC	800 V AC	
Rated insulating voltage U _i	1000V	1000V	
Rated impulse withstand voltage U _{imp}	8kV	12kV	
Category of use EN 60947-3	400V	AC 23 B	AC 23 B
	500V	AC 22 B	AC 22 B
	690V	AC-22B	AC-21B (500A)
	800V	AC 20 B (*)	AC-22B (315A)
Conditional rated short-circuit current (with gG/gL fuses)	500V	120kA	100kA
	690V	100kA	80kA
Power dissipated by fuse carrier (without fuse component)	60W	118W	

* Rated current according to the available fuse links, taking into account the maximum permissible power dissipation 34W.

Do not switch under load.

5.1 Connections

Size	Screw terminals	Direct connection terminals	Prisma connection
00	M8 70 mm ²	-	Cu,Al 1 x 10mm ² re; 1 x 16-95mm ² rm; 1 x 35-95mm ² sm; 1 x 10-95mm ² f; 1 x 10-70mm ² f+AE;
1	M12 2 x 185mm ² - 240mm ²	1 x 35 - 150mm ² sm 1 x 50 - 185mm ² se 1 x 35 - 70mm ² rm 1 x 50mm ² re Md 32 - 40Nm 2 x 35 - 150mm ² sm 2 x 50 - 185mm ² se 2 x 35 - 70mm ² rm 2 x 35 - 50mm ² re Md 18 - 24Nm	-
2	M12 2 x 185mm ² - 240mm ²	1 x 35 - 150mm ² sm 1 x 50 - 185mm ² se 1 x 35 - 70mm ² rm 1 x 50mm ² re Md 32 - 40Nm 2 x 35 - 150mm ² sm 2 x 50 - 185mm ² se 2 x 35 - 70mm ² rm 2 x 35 - 50mm ² re Md 18 - 24Nm	-
3	M12 2 x 185mm ² - 240mm ²	1 x 35 - 150mm ² sm 1 x 50 - 185mm ² se 1 x 35 - 70mm ² rm 1 x 50mm ² re Md 32 - 40Nm 2 x 35 - 150mm ² sm 2 x 50 - 185mm ² se 2 x 35 - 70mm ² rm 2 x 35 - 50mm ² re Md 18 - 24Nm	-

sm: stranded sectored

se: solid sectored

rm: stranded round

re: solid round

f: flexible

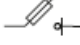
AE: wire-end ferrules

Vertical fuse carriers for blade type fuses


6. CONFORMITY

IEC 60 947-3

6.1 MARKING

SPX³-V
I_e 160 A 
6 058 50

U_e 690 V a.c. 50/60 Hz
DIN VDE 0636-201
IEC/EN 60947-3

IEC 60269-2-1
NH00 P_v 12 W 

AC22B	500 V	160 A
AC23B	400 V	160 A



7. EQUIPMENTS AND ACCESSORIES

7.1 Mechanical accessories

Signalling contact

- Auxiliary switch contact (250 V AC / 5 A, 30 V DC / 4 A) ref. 6 052 30

7.2 Connection accessories

Cage terminals

- For Copper and Aluminium cables:
 - 10-95mm² (size 00) ref. 6 058 65
 - 70-240 mm² (size 1/2/3) ref. 6 058 66
 - 120-300 mm² (size 1/2/3) ref. 6 058 67

7.3 Terminal shields

Can be fixed at the top or at the bottom of the SPX³-V vertical fuse carriers

- For SPX³-V frame 160 ref. 6 058 68
- For SPX³-V frames 250, 400 and 630 ref. 6 058 69

7.4 Busbar support

Collector rail supports for 185 mm phase offset

universal busbar support 185mm for drilled and undrilled flat busbars 30, 40, 60, 80, 100, 120 x 10 ref. 6 058 80

7.5 Current transformers

Accuracy class 1, secondary rated current 5A

- Rated current 80A (size 00) ref. 6 058 70
- Rated current 150A (size 00) ref. 6 058 71
- Rated current 150A (size 1/2/3) ref. 6 058 73
- Rated current 200A (size 1/2/3) ref. 6 058 74
- Rated current 250A (size 1/2/3) ref. 6 058 75
- Rated current 400A (size 1/2/3) ref. 6 058 76
- Rated current 600A (size 1/2/3) ref. 6 058 77

7.6 DPX³ 1600 adaptors

For connection between DPX³ 1600 MCCBs and the busbars.

Screw connection to drilled busbars circuit breaker connection TOP ref. 6 058 60

8. TABLES

8.1 Maximum fuses power ratings

SPX ³ -V	I _n (A)	P _{max} (W)	DIN 43 620 Fuses ratings (A)			
			aM	gG	gR	aR
00	160	12	125	160	32	40
1	250	23	250	250	63	80
2	400	34	400	400	125	125
3	630	48	500	630	160	200

Please note: these values are for guidance only; check compliance of fuses maximum power dissipation and rated current on corresponding datasheets

8.2 Permissible load current of 185mm system inside XL³ S

cross section (mm)	A	
	IP≤30	IP> 30
30x10	630	550
40x10	700	600
60x10	1100	950
80x10	1300	1150
100x10	1550	1350
120x10	1800	1550