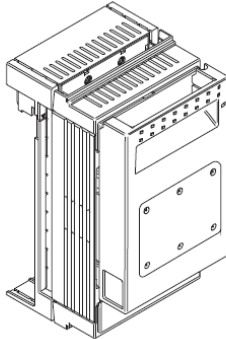


SPX

Fuse carriers for blade type fuses



CONTENTS	PAGES
1. USE	1
2. RANGE	1
3. DIMENSIONS	1
4. OVERVIEW	2
5. ELECTRICAL AND MECHANICAL CHARACTERISTICS	2
6. CONFORMITY	2
7. EQUIPMENTS AND ACCESSORIES	3
8. TABLES	3

1. USE

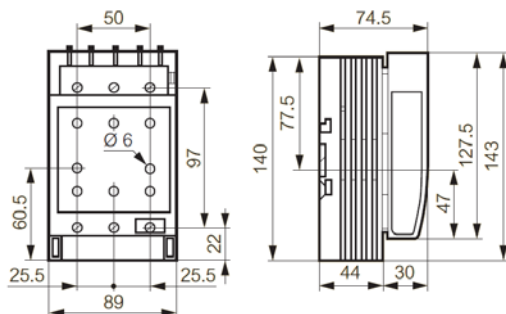
SPX in-line DIN 43 620 NH fuse without striker carrier offers optimal solutions for protection against short-circuits and over-loads, connection and disconnections electric circuit parts without load or at full load in all the situations in which fuse could be the right answer to protection needs instead of circuit breakers. SPX could be mounted on plates or on 60mm collector rails.

2. RANGE

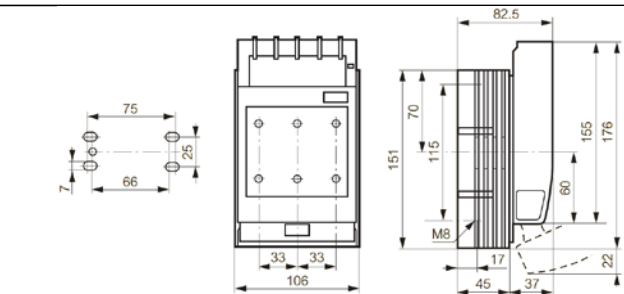
I _n (A)	Size	Mounting type	
		Plate	60mm Collector rail
125	000	6 052 00	6 052 01
160	00	6 052 02	6 052 03
250	1	6 052 04	6 052 05
400	2	6 052 06	6 052 07
630	3	6 052 08	6 052 09

3. DIMENSIONS

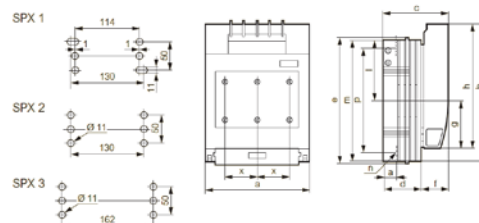
SPX 000, plate mounting



SPX 00, plate mounting

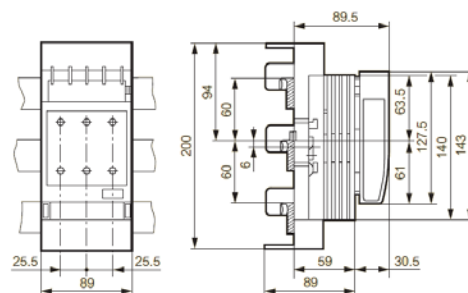


SPX 1/2/3, plate mounting



	a	b	c	d	e	f	g
SPX 1	184	243	111.5	66	220	45.5	84
SPX 2	210	288	128	80	-	48	92
SPX 3	256	300	142.5	94.5	-	48	98.5
	h	l	m	p	q	r	x
SPX 1	220	107	214.5	185	21.5	M10	57
SPX 2	249	124	255	210	25	M10	65
SPX 3	259	127.5	267	210	30	M12	81

SPX 000, collector rail mounting

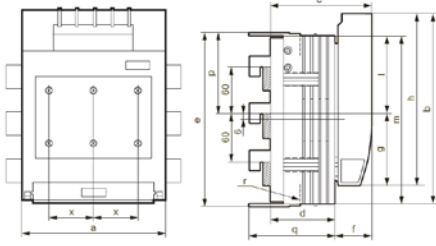


SPX 00, collector rail mounting

Fuse carriers for blade type fuses

3. DIMENSIONS (NEXT)

SPX 1/2/3, collector rail mounting



	a	b	c	d	e	f	g
SPX 1	184	243	128.5	83	221	45.5	90
SPX 2	210	288	145	97	228	48	98
SPX 3	256	300	159.5	111.5	285	48	104.5
	h	l	m	p	q	r	x
SPX 1	220	101	214.5	104.5	110.5	M10	57
SPX 2	249	118	255	128	124.5	M10	65
SPX 3	259	121.5	267	136.5	139	M12	81

4. OVERVIEW

4.1 Mounting possibilities

On plate:

- Vertical and horizontal

On 60mm collector rail:

- Vertical and horizontal

5. ELECTRICAL AND MECHANICAL CHARACTERISTICS

Fuse carrier	SPX 000	SPX 00	SPX 1	SPX 2	SPX 3
Uninterrupted nominal current I _n (A)	125	160	250	400	630
Type of current	AC / DC				
Nominal voltage U _n (V)	690 V AC 440 V DC	690 V AC 440 V DC	690 V AC 440 V DC	690 V AC 440 V DC	690 V AC 440 V DC
Rated insulating voltage U _i (V AC)	800				
Rated impulse withstand voltage U _{imp} (kV)	6				
Nominal frequency (Hz)	50 - 60				
Category of use at 415 V AC	AC-23B	AC-23B	AC-22B; AC-23B (160A)	AC-23B	AC-23B
Category of use at 500 V AC	AC-22B	AC-23B (125A)	-	-	-
Category of use at 690 V AC	AC-21B	AC-21B	AC-21B	AC-22B	AC-22B
Category of use at 220 V DC	DC-21B; DC-22B (100A)	DC-22B (160A)	-	-	-
Category of use at 440 V DC	DC-21B (80A); DC-22B (63A)	DC-21B(160A); DC-22B (125A)	DC-20B	DC-21B	DC-21B
Conditional rated short-circuit current (gG fuses)	50 kA (690V)				
Power dissipated by fuse carrier (without fuse component)	10.5 W	17.7 W	26 W	45 W	60 W

5.1 Connections

Size	Screw terminal	Clamp for flat conductor	Prism connection
000	-	2.5 - 50 mm ² f 1.5 - 50 mm ² f+AE	-
00	M8 70 mm ²	-	16 - 70 mm ² rm, sm, f, f + AE
1	M10 120mm ²	-	35 - 150 mm ² rm, sm, f, f + AE
2	M10 240mm ²	-	50 - 150/120 - 240 mm ² rm, sm, f, f + AE
3	M12 2 x 185mm ²	-	150 - 300 mm ² rm, sm, f, f + AE

sm: stranded sectored

rm: stranded round

f: flexible

AE: wire-end ferrules

6. CONFORMITY

IEC 60 947-3

6.1 MARKING

U_e 690 V a.c. 50/60 Hz
U_e 440 V d.c.
VDE 0660 T.107
IEC/EN 60947-3

CE

AC-21B	690 V	125 A
AC-22B	500 V	125 A
AC-23B	400 V	125 A

DIN 43620
IEC 60269-2-1
NH 000 Pv 9 W

DC-21B	440 V	80 A
DC-21B	220 V	125 A
DC-22B	440 V	63 A
DC-23B	220 V	100 A

legrand

SPX 000
le 125 A
6 052 00

Fuse carriers for blade type fuses

7. EQUIPMENTS AND ACCESSORIES

7.1 Mechanical accessories

Signalling contact

- Auxiliary switch contact (250 V AC / 5 A, 30 V DC / 4 A) ref. 6 052 30

7.2 Connection accessories

Cage terminals

- Prism terminals for copper and aluminium rail
 - For SPX 160A, 16-70 mm² ref. 6 052 22
 - For SPX 250A, 70-150 mm² ref. 6 052 23
 - For SPX 400A, 120-240 mm² ref. 6 052 24
 - For SPX 630A, 150-300 mm² ref. 6 052 25

- Terminals shields

- For plate installation, I_n 160A ref. 6 052 49
- For collector rail installation, I_n 160A ref. 6 052 31
- For all types, I_n 250A ref. 6 052 32
- For all types, I_n 400A ref. 6 052 33

7.3 Collector rail accessories

Collector rail supports for 60 mm phase offset

- 60mm busbar system isolating support ref. 6 052 46

Covers

- For 60mm busbar system, IP3x ref. 6 051 64
- Support cover for 60mm busbar system ref. 6 051 65

8. TABLES

8.1 Maximum fuses power ratings

SPX	I _n (A)	P _{max} (W)	DIN 43 620 Fuses ratings (A)			
			aM	gG	gR	aR
000	125	9	100	100	25	25
00	160	12	125	160	32	40
1	250	23	250	250	63	80
2	400	34	400	400	125	125
3	630	48	500	630	160	200

Please note: these values are for guidance only; check compliance of fuses maximum power dissipation and rated current on corresponding datasheets