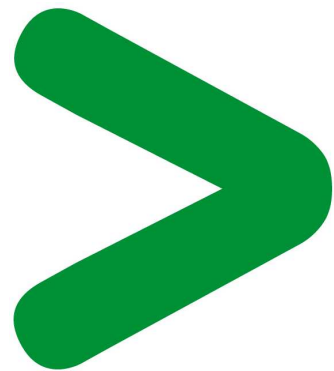


Product End-of-Life Instructions

EASYLOGIC PM2130



Product End-of-Life Instructions – EoLI

Product overview

Product Range: EasyLogic PM2100.

Marketing Model/Name: EasyLogic PM2130 and commercial ref. METSEPM2130.

Size: H x L x D in mm = 96 x 96 x 63

Weight with battery in g = 386 g

Weight without battery in g = 384.5 g

Purpose

The product family must be disposed according to the legislation of the country. This document is intended for use by end of life recyclers or treatment facilities. It provides the basic information to assure an appropriate end of life treatment for the components and materials of the product.

Note:

This product family is in the scope of European Union directive 2012/19/EU on Waste Electrical and Electronic Equipment (WEEE).

Operations recommended for the end of life treatment

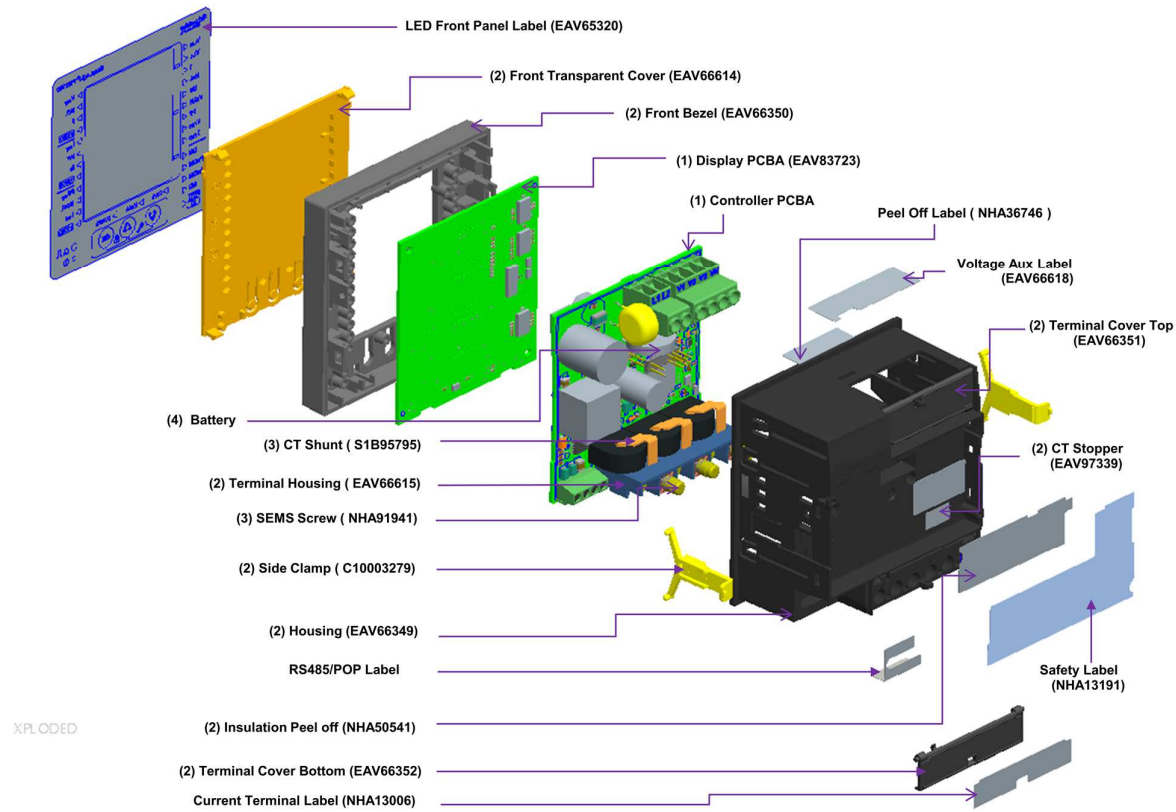
There are several steps to process the products at the end of life so as to recover components, materials or energy :

Reuse → Separation for special treatment → Other dismantling → Shredding

CAUTION:

Product End-of-Life Instructions – EoLI

The components of the products that optimize the recycling performances are listed, identified and located hereunder.



Recommendation	Number on drawing	Components	Weight (in g)	Comment
Depollution				
1	EAV83723	LED PCBA -PM2000	52.8	(1)
2	EAV81630	PCBA-PM2000-LED VARIANT PM2130	95	(1)
3	HUA30411	BAT POLY CF BTN 3V 120mAh 60°C	1.5	(4)
Shredding				
1	EAV66614	Front Transparent Cover	14.8	(2)
2	EAV66350	Front Bezel	32.23	(2)
3	EAV66351	Terminal Cover Top	2.5	(2)
4	EAV97339	CT Stopper	1	(2)
5	EAV66352	Terminal Cover Bottom	2.2	(2)
6	EAV66349	Housing	61.239	(2)
7	C10003279	Side Clamp	4.4	(2)
8	C1003577	Meter retainer assly	16	(2)
Shredding				
1	S1B95795	CT Shunt	2	(3)
2	NHA91941	SEMS Screw	2.2	(3)
3	NHA57384	Brass insert	6	(3)

EoLI achieved with Schneider-Electric TT03 V5 procedure

Schneider Electric Industries SAS

35, rue Joseph Monier
CS 30323
F- 92506 Rueil Malmaison Cedex
RCS Nanterre 954 503 439
Capital social 896 313 776 €

www.schneider-electric.com